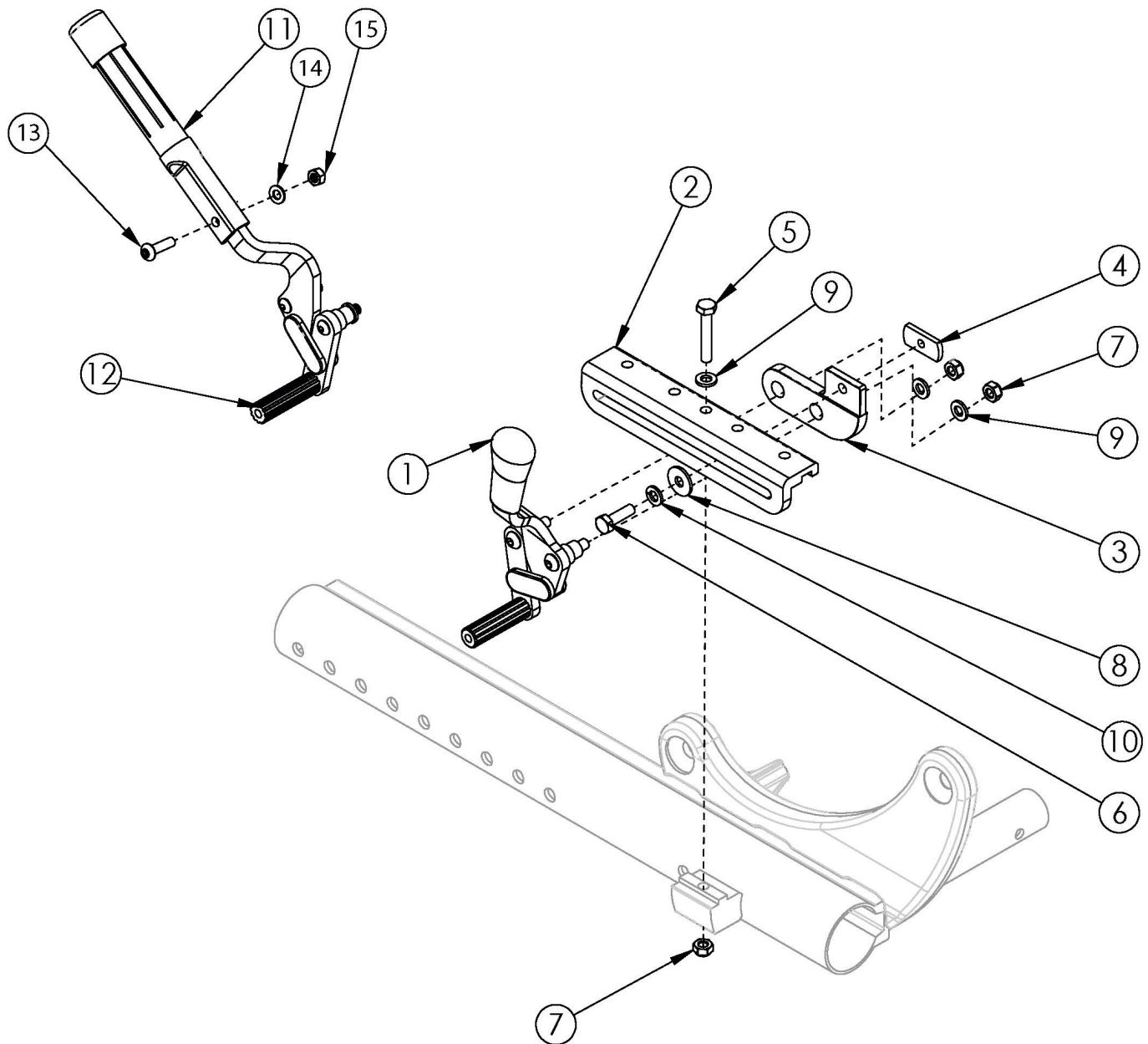


Focus CR Inverted Wheel Lock



Does the chair have a combination wheel lock? If yes, please see the combination wheel lock parts manual page. Inverted axle plates are not used with wheels 20" or larger.

Item Number	Part Number	Description	Quantity
1a, 2, 3a, 4-10	501498	Inverted Wheel Lock Assm Push Left Focus	1
1b, 2, 3a, 4-10	501499	Inverted Wheel Lock Assm Push Right Focus	1
1a, 1b, 2, 3a, 4-10	501428	Inverted Wheel Lock Assm Push Pair Focus	1

Item Number	Part Number	Description	Quantity
2, 3a, 4-10, 11, 12a, 13-15	501500	Inverted Wheel Lock Assm Push with Extension Handle Left Focus	1
2, 3a, 4-10, 11, 12b, 13-15	501501	Inverted Wheel Lock Assm Push with Extension Handle Right Focus	1
2, 3a, 4-10, 11, 12a, 12b, 13-15	501429	Inverted Wheel Lock Assm Push with Extension Handle Pair Focus	1
1c, 2, 3b, 4-10	501502	Inverted Wheel Lock Assm Pull Left Focus	1
1d, 2, 3b, 4-10	501503	Inverted Wheel Lock Assm Pull Right Focus	1
1c, 1d, 2, 3b, 4-10	501430	Inverted Wheel Lock Assm Pull Pair Focus	1
2, 3b, 4-10, 11, 12c, 13-15	501504	Inverted Wheel Lock Assm Pull with Extension Handle Left Focus	1
2, 3b, 4-10, 11, 12d, 13-15	501505	Inverted Wheel Lock Assm Pull with Extension Handle Right Focus	1
2, 3b, 4-10, 11, 12c, 12d, 13-15	501431	Inverted Wheel Lock Assm Pull with Extension Handle Pair Focus	1
2	001398	Wheel Lock Mount Bar Inverted Axle Plate	1
3a	003774	Wheel Lock Mount Inverted Axle Plate Push/Attendant <i>Replaced 001396</i>	1
3b	003775	Wheel Lock Mount Inverted Axle Plate Pull <i>Replaced 001760</i>	1
4	001141	Weld Nut NDM 06028 Zinc	1
5	102386	M6 x 35mm HHCS Blk Zc	1
6	101823	M6 X 20 Hhcs Blk Zn	1
7	100658	M6 Nylock Nut Blk Zn	3
8	101853	M6 Washer Blk Zn	1
9	100746	M6 Flat Washer Blk Zn	3
10	101835	M6 Lock Washer Blk Zn	1
11, 13-15	100854	Brake Extension Replacement	1
13	101117	M5 x 22 BTN SHCS BLK ZC	1
14	101856	Flat Washer, M5, Blk Zn	1
15	100657	M5 Nylock Nut Blk Zn	1

Inverted axle plates are not used with wheels 20" or larger.

Wheel	Tire	Caster	Standard Axle Plate Seat Heights	Inverted Axle Plate Seat Heights
12" Mag	Pneumatic	5"	13.5" - 14.5"	17.5" - 19.5"
12" Mag	Pneumatic	6"	14.5"	17.5" - 19.5"
12" Mag	Pneumatic	6x2"	14.5"	17.5" - 19.5"
12" Mag	Pneumatic	7"	n/a	17.5" - 19.5"
12" Mag	Pneumatic	8"	n/a	17" - 19.5"
12" Mag	Pneumatic	8"x1.5"	n/a	17.5" - 19.5"
12" Mag	Pneumatic	8x2"	n/a	17.5" - 19.5"
12" Mag	Full Poly	5"	n/a	16.5" - 19"
12" Mag	Full Poly	6"	n/a	16.5" - 19"
12" Mag	Full Poly	6x2"	n/a	16.5" - 19"
12" Mag	Full Poly	7"	n/a	16.5" - 19"
12" Mag	Full Poly	8"	n/a	16." - 18.5"
12" Mag	Full Poly	8"x1.5"	n/a	16.5" - 19"
12" Mag	Full Poly	8x2"	n/a	17" - 18.5"
12" Mag w/ Drum Brake	Pneumatic	5"	13" - 14.5"	17.5" - 20"
12" Mag w/ Drum Brake	Pneumatic	6"	14" - 14.5"	17.5" - 19.5"
12" Mag w/ Drum Brake	Pneumatic	6x2"	14" - 14.5"	17.5" - 20"
12" Mag w/ Drum Brake	Pneumatic	7"	n/a	17.5" - 20"
12" Mag w/ Drum Brake	Pneumatic	8"	n/a	17.5" - 20"
12" Mag w/ Drum Brake	Pneumatic	8"x1.5"	n/a	17.5" - 19.5"
12" Mag w/ Drum Brake	Pneumatic	8x2"	n/a	17.5" - 19.5"
12" Mag w/ Drum Brake	Full Poly	5"	13" - 14.5"	17.5" - 19.5"
12" Mag w/ Drum Brake	Full Poly	6"	14" - 14.5"	17.5" - 19.5"
12" Mag w/ Drum Brake	Full Poly	6x2"	14" - 14.5"	17.5" - 19.5"
12" Mag w/ Drum Brake	Full Poly	7"	n/a	17.5" - 19.5"
12" Mag w/ Drum Brake	Full Poly	8"	n/a	17.5" - 19.5"
12" Mag w/ Drum Brake	Full Poly	8"x1.5"	n/a	17.5" - 19.5"
12" Mag w/ Drum Brake	Full Poly	8x2"	n/a	17.5" - 19.5"

Inverted axle plates are not used with wheels 20" or larger.

Wheel	Tire	Caster	Standard Axle Plate Seat Heights	Inverted Axle Plate Seat Heights
16" Mag	Pneumatic	5"	13" - 16"	19" - 20.5"
16" Mag	Pneumatic	6"	14" - 16"	19" - 20.5"
16" Mag	Pneumatic	6x2"	14" - 16"	19" - 20.5"
16" Mag	Pneumatic	7"	15" - 16"	19" - 20.5"
16" Mag	Pneumatic	8"	16"	19" - 20.5"
16" Mag	Pneumatic	8"x1.5"	15.5" - 16"	19" - 20.5"
16" Mag	Pneumatic	8x2"	16"	19" - 20.5"
16" Mag	Full Poly	5"	13" - 16.5"	19" - 20.5"
16" Mag	Full Poly	6"	14" - 16.5"	19" - 20.5"
16" Mag	Full Poly	6x2"	14" - 16.5"	19" - 20.5"
16" Mag	Full Poly	7"	15" - 16.5"	19.5" - 20.5"
16" Mag	Full Poly	8"	16"	19" - 20.5"
16" Mag	Full Poly	8"x1.5"	15.5" - 16.5"	19" - 20.5"
16" Mag	Full Poly	8x2"	16" - 16.5"	19" - 20.5"
16" Mag	Low Poly	5"	13" - 15"	18" - 20"
16" Mag	Low Poly	6"	14" - 15"	18" - 20"
16" Mag	Low Poly	6x2"	14" - 15"	18" - 20.5"
16" Mag	Low Poly	7"	n/a	18" - 20.5"
16" Mag	Low Poly	8"	n/a	18" - 20.5"
16" Mag	Low Poly	8"x1.5"	n/a	18" - 20"
16" Mag	Low Poly	8x2"	n/a	18" - 20"
16" Mag w/ Drum Brake	All	5"	13.5" - 16"	19" - 20.5"
16" Mag w/ Drum Brake	All	6"	14" - 16"	18.5" - 20.5"
16" Mag w/ Drum Brake	All	6x2"	14" - 16"	18.5" - 20.5"
16" Mag w/ Drum Brake	All	7"	15" - 15.5"	18.5" - 20.5"
16" Mag w/ Drum Brake	All	8"	n/a	18.5" - 20.5"
16" Mag w/ Drum Brake	All	8"x1.5"	15.5" - 16"	18.5" - 20.5"
16" Mag w/ Drum Brake	All	8x2"	16"	18.5" - 20.5"