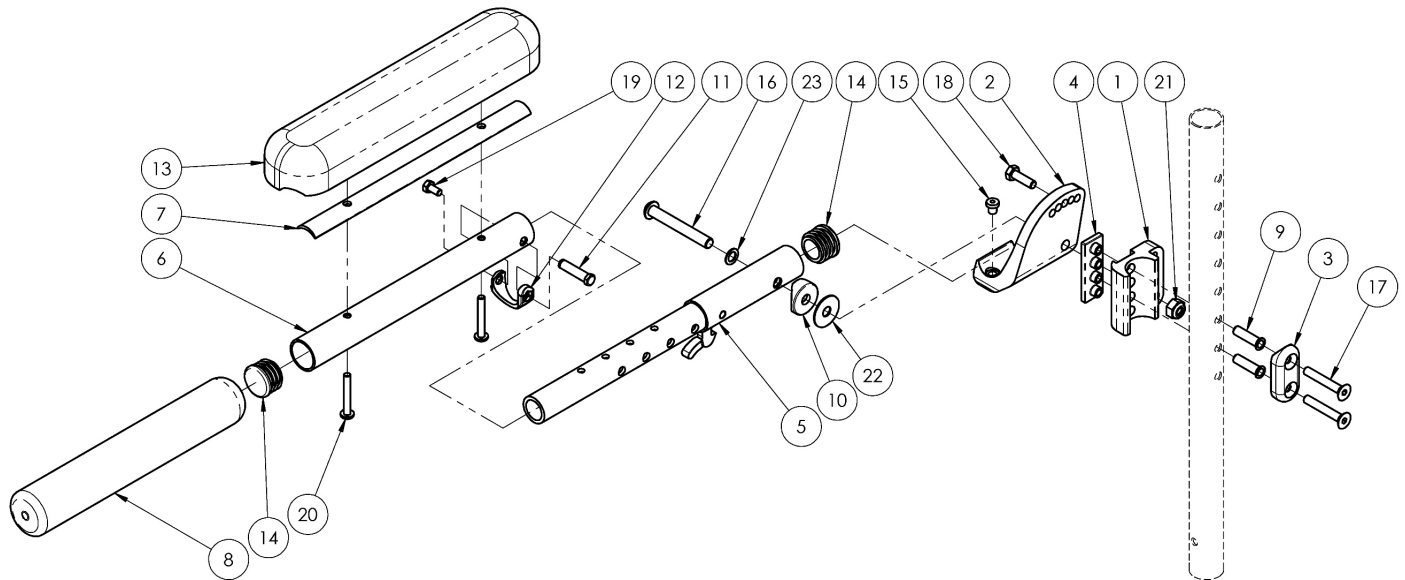


# Adult Angle Adjustable Locking Extendable Flip Up Armrest



Adult Angle Adjustable Locking Flip Up Armrest is used on all Catalyst, Rogue XP, Liberty FT and Focus chairs.<p> Armrest effective 12/22/16 starting with serial numbers C5042365, C5HD003085, FCR0018117, FCHD002227, RGXP005413, and RGX0020821.

Item Number	Part Number	Description	Quantity	Retail
1a, 2a, 3, 4, 9, 15, 17, 18, 21	504310	Angle Adjustable Locking Flip Up Arm Mounting Hardware Assembly, Right	1	\$54.29
1b, 2b, 3, 4, 9, 15, 17, 18, 21	504311	Angle Adjustable Locking Flip Up Arm Mounting Hardware Assembly, Left	1	\$54.29
1-4, 9, 15, 17, 18, 21	504312	Angle Adjustable Locking Flip Up Arm Mounting Hardware Assembly, PAIR	1	\$108.59
5, 6a, 7a, 10-12, 13b, 14, 16, 19, 20, 22, 23	506102	Adult Angle Adjustable Locking Flip Up Armrest Assembly Desk Pad, Right	1	\$143.61
5, 6a, 7a, 10-12, 13b, 14, 16, 19, 20, 22, 23	506103	Adult Angle Adjustable Locking Flip Up Armrest Assembly Desk Pad, Left	1	\$143.61
5, 6a, 7a, 10-12, 13b, 14, 16, 19, 20, 22, 23	506104	Adult Angle Adjustable Locking Flip Up Armrest Assembly Desk Pad, PAIR	1	\$287.21
5, 6b, 7b, 10-12, 13a, 14, 16, 19, 20, 22, 23	506105	Adult Angle Adjustable Locking Flip Up Armrest Assembly Full Pad, Right	1	\$145.71
5, 6b, 7b, 10-12, 13a, 14, 16, 19, 20, 22, 23	506106	Adult Angle Adjustable Locking Flip Up Armrest Assembly Full Pad, Left	1	\$145.71

Item Number	Part Number	Description	Quantity	Retail
5, 6b, 7b, 10-12, 13a, 14, 16, 19, 20, 22, 23	506107	Adult Angle Adjustable Locking Flip Up Armrest Assembly Full Pad, PAIR	1	\$291.41
5, 6a, 8a, 10-12, 14, 16, 19, 22, 23	506108	Adult Angle Adjustable Locking Flip Up Armrest Assembly Desk Foam Grip, Right	1	\$132.58
5, 6a, 8a, 10-12, 14, 16, 19, 22, 23	506109	Adult Angle Adjustable Locking Flip Up Armrest Assembly Desk Foam Grip, Left	1	\$132.58
5, 6a, 8a, 10-12, 14, 16, 19, 22, 23	506110	Adult Angle Adjustable Locking Flip Up Armrest Assembly Desk Foam Grip, PAIR	1	\$265.15
5, 6b, 8b, 10-12, 14, 16, 19, 22, 23	506111	Adult Angle Adjustable Locking Flip Up Armrest Assembly Full Foam Grip, Right	1	\$134.68
5, 6b, 8b, 10-12, 14, 16, 19, 22, 23	506112	Adult Angle Adjustable Locking Flip Up Armrest Assembly Full Foam Grip, Left	1	\$134.68
5, 6b, 8b, 10-12, 14, 16, 19, 22, 23	506113	Adult Angle Adjustable Locking Flip Up Armrest Assembly Full Foam Grip, PAIR	1	\$269.35
1a, 2a, 3-5, 6a, 7a, 9-12, 13b, 14-23	504313	Adult Angle Adjustable Locking Flip Up Armrest Assembly Desk Pad w/ Mounting Hardware, Right	1	\$244.50
1b, 2b, 3-5, 6a, 7a, 9-12, 13b, 14-23	504314	Adult Angle Adjustable Locking Flip Up Armrest Assembly Desk Pad w/ Mounting Hardware, Left	1	\$244.50
1-5, 6a, 7a, 9-12, 13b, 14-23	504315	Adult Angle Adjustable Locking Flip Up Armrest Assembly Desk Pad w/ Mounting Hardware, PAIR	1	\$489.01
1a, 2a, 3-5, 6b, 7b, 9-12, 13a, 14-23	504316	Adult Angle Adjustable Locking Flip Up Armrest Assembly Full Pad w/ Mounting Hardware, Right	1	\$246.61
1b, 2b, 3-5, 6b, 7b, 9-12, 13a, 14-23	504317	Adult Angle Adjustable Locking Flip Up Armrest Assembly Full Pad w/ Mounting Hardware, Left	1	\$246.61
1-5, 6b, 7b, 9-12, 13a, 14-23	504318	Adult Angle Adjustable Locking Flip Up Armrest Assembly Full Pad w/ Mounting Hardware, PAIR	1	\$493.21
1a, 2a, 3-5, 6a, 8a, 9-12, 14-19, 21-23	504319	Adult Angle Adjustable Locking Flip Up Armrest Assembly Desk Foam Grip w/ Mounting Hardware, Right	1	\$218.77
1b, 2b, 3-5, 6a, 8a, 9-12, 14-19, 21-23	504320	Adult Angle Adjustable Locking Flip Up Armrest Assembly Desk Foam Grip w/ Mounting Hardware, Left	1	\$218.77
1-5, 6a, 8a, 9-12, 14-19, 21-23	504321	Adult Angle Adjustable Locking Flip Up Armrest Assembly Desk Foam Grip w/ Mounting Hardware, PAIR	1	\$437.53
1a, 2a, 3-5, 6b, 8b, 9-12, 14-19, 21-23	504322	Adult Angle Adjustable Locking Flip Up Armrest Assembly Full Foam Grip w/ Mounting Hardware, Right	1	\$220.87
1b, 2b, 3-5, 6b, 8b, 9-12, 14-19, 21-23	504323	Adult Angle Adjustable Locking Flip Up Armrest Assembly Full Foam Grip w/ Mounting Hardware, Left	1	\$220.87
1-5, 6b, 8b, 9-12, 14-19, 21-23	504324	Adult Angle Adjustable Locking Flip Up Armrest Assembly Full Foam Grip w/ Mounting Hardware, PAIR	1	\$441.73

Item Number	Part Number	Description	Quantity	Retail
1a	002836	Locking Flip Up Arm Mount Bracket Right	1	\$9.75
1b	002837	Locking Flip Up Arm Mount Bracket Left	1	\$9.75
2a	002838	Locking Flip Up Arm Index Bracket Right	1	\$15.76
2b	002839	Locking Flip Up Arm Index Bracket Left	1	\$15.76
3	002840	Locking Flip Up Arm Dual Saddle 1"OD x 1"SP	1	\$5.47
4	002841	Locking Flip Up Arm Nut Plate	1	\$12.61
5	003162	Locking Flip Up Arm Steel Tube Assembly <i>Used on all Catalyst, Rogue XP, Liberty FT and Focus chairs</i>	1	\$98.08
6a	002844	Locking Flip Up Arm Extension Tube Desk	1	\$9.46
6b	002845	Locking Flip Up Arm Extension Tube Full	1	\$11.56
7a	002849	Locking Flip Up Arm Pad Adapter Desk	1	\$5.25
7b	002850	Locking Flip Up Arm Pad Adapter Full	1	\$5.25
6a, 8a, 14	504337	Locking Flip Up Arm Extension and Foam Grip Kit, Desk	1	\$23.01
6b, 8b, 14	504338	Locking Flip Up Arm Extension and Foam Grip Kit, Full	1	\$25.53
9	002914	Sleeve .266 OD x .236 ID x .97 LG <i>Not used on Rogue XP models. Only used on Catalyst with Reclining Back. Always used on Liberty FT and Focus models.</i>	2	\$3.78
10	001271	1" Saddle, .323 Hole	1	\$1.62
11	000987	Threaded Fastener	1	\$3.78
12	000988	Fastener Retainer	1	\$3.94
13a	100500	Arm Pad Full	1	\$23.64
13b	100501	Arm Pad Desk	1	\$23.64
14	100804	Tube End Plug 1"	2	\$1.58
15	102870	Bumper, .375 HD x .25 Stem	1	\$1.05
16	102865	M8 X 60, BHCS, 28mm THD, BZ	1	\$5.78
17	101819	M6 x 40 FHCS Blk Zn	2	\$1.05
18	101823	M6 x 20 HHCS Blk Zn	1	\$1.05
19	200427	M5 x 10 CLS8.8 HHCS ZC w/Patch DIN933	1	\$0.53

Item Number	Part Number	Description	Quantity	Retail
20	102867	M5 X 35 PAN HD PHP, BLK ZN <i>Used with arm pads</i>	2	\$1.05
21	100659	M8 Nylock Nut Blk Zn	1	\$1.05
22	102866	Washer, Nylon, 1"OD x.318ID x.04	1	\$1.05
23	101861	Nylon Washer 5/16 x 1/2 x .03	1	\$0.53