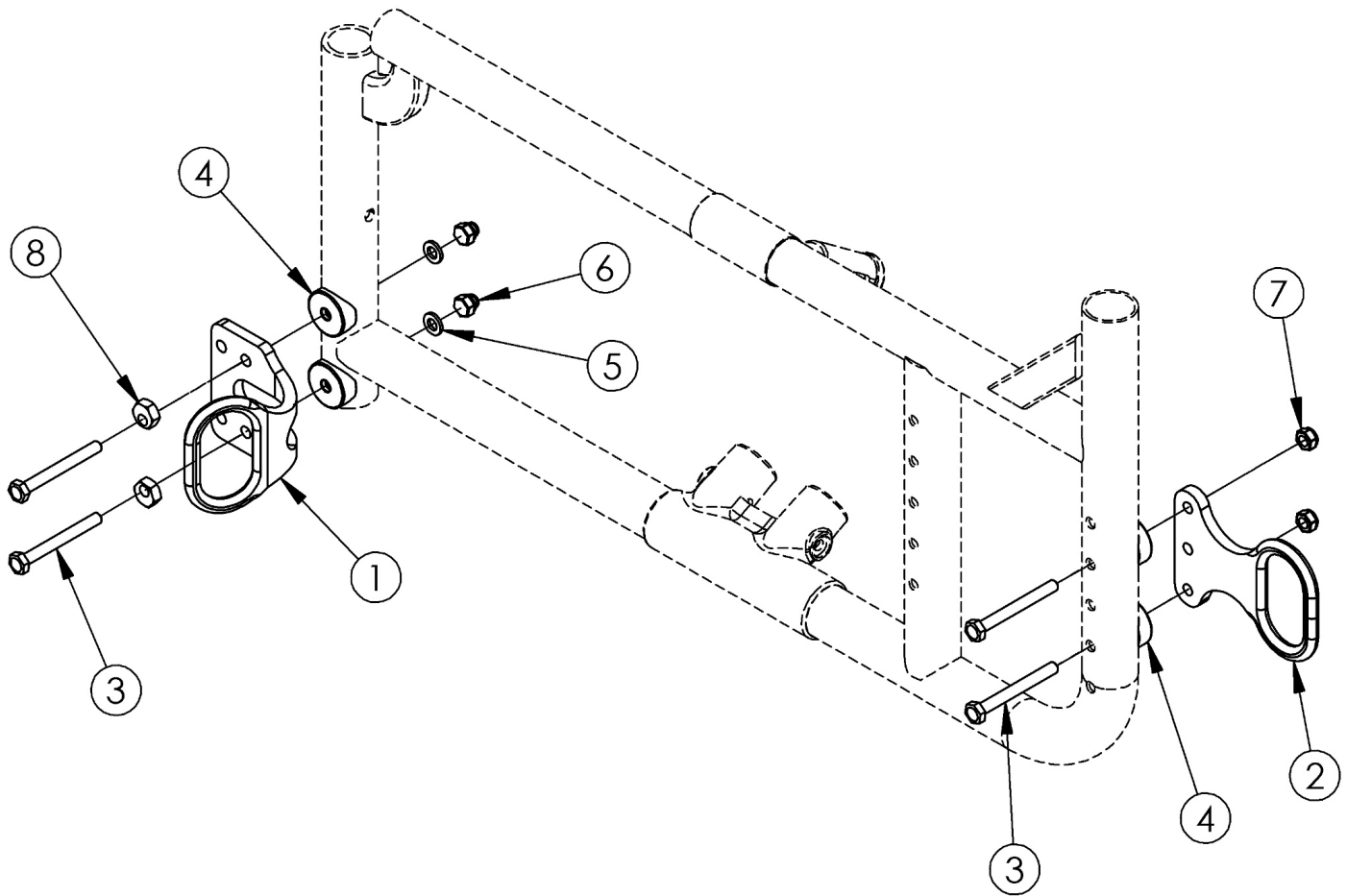


Catalyst 5 and Spark Transit



Notice: Chair configuration review required prior to parts being quoted or ordered. <p>

Not available with Heavy Duty Option, Reclining Backrest or Removable Aluminum Seat Pan <p>

See Axle Plate pages for all mounting hardware <p>

If retrofitting to add transit, please reference the axle plate and anti-tip parts manual pages to ensure the appropriate spacers and hardware are included. Example: Amputee Axle plates require specific hardware and spacers off of the anti-tip receiver parts manual page.

Item Number	Part Number	Description	Quantity	Retail
1-2, 3a-3f, 4a-4b, 5-8	500548	Transit Bracket Retrofit Kit CAT5 / SPARK <i>Not available with Heavy Duty Option. This kit is a complete retrofit, containing a pair of front and rear transit brackets and hardware.</i>	1	\$401.86
3a	100674	M6 x 45 CLS10.9 DIN931 HHCS ZC	8	\$1.66
3b	101826	M6 x 50 HHCS Blk Zn	8	\$2.21
3c	100676	M6 x 55 CLS10.9 DIN931 HHCS ZC	4	\$1.66
3d	100677	M6 x 60 CLS10.9 DIN931 HHCS ZC	8	\$1.66

Item Number	Part Number	Description	Quantity	Retail
3e	100679	M6 x 65 CLS 8.8 DIN931 HHCS ZC	4	\$1.66
3f	100680	M6 x 70 CLS 8.8 DIN931 HHCS ZC	4	\$1.66
4a	000056	Saddle 1 1/8"	10	\$1.66
4b	000055	Saddle 1"	6	\$1.66
5	100746	M6 Flat Washer Blk Zn	4	\$1.66
6	100558	M6 NYL INS Domed Cap L/N ZC	4	\$1.10
7	100658	M6 Nylock Nut Blk Zn	8	\$1.10
8	100510	Eccentric Washer	4	\$1.73