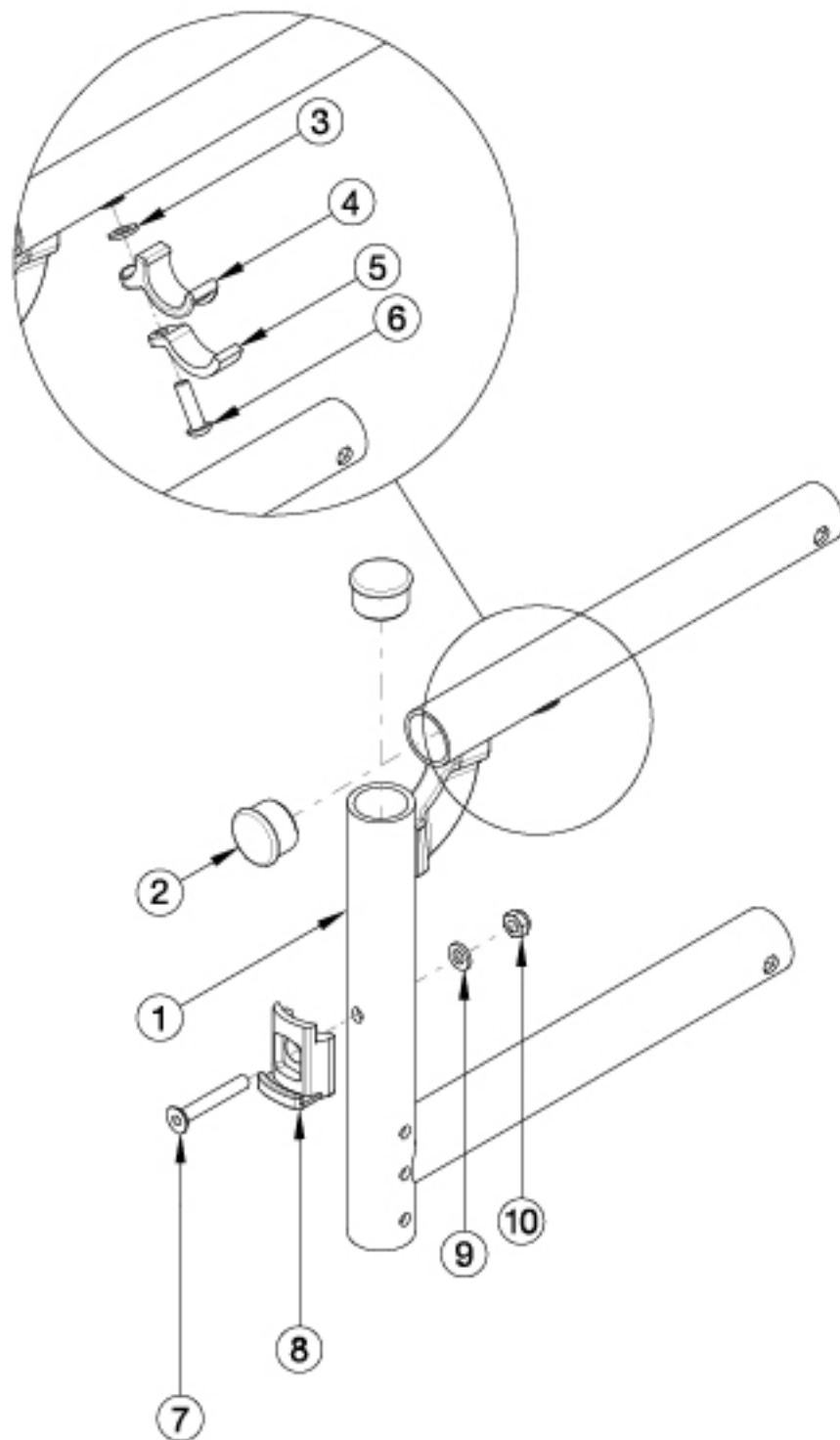


Catalyst 5Ti Heavy Duty Swing Away Front Frame



16" and 18" seat depths use the same front frames. 17" and 19" seat depths use the same front frames. This Heavy Duty front frame design effective starting with serial number C50099247 with the 350 lbs Weight Capacity option. Frame assemblies are based on Seat Depth. If switching to a new Seat Depth, new Height Adjustable T-Arms or Height Adjustable Flip Back T-Arms may be needed. If chair has Flip Back or the discontinued Height Adjustable Flip Back armrests, select a frame assembly with the Flip Back Arm Modification. This modification does not apply to Height Adjustable Flip Back T-Arms. If retrofitting from a Fixed Front Frame, new caster housings and attaching hardware is required.

Item Number	Part Number	Description	Quantity
3, 4, 5, 6	114528	Seat Hook and Support Hardware Kit, Standard, for Heavy Duty Catalyst <i>This kit contains quantity of 1 each</i>	1
1a, 2	114553	Frame Assembly, Heavy Duty, Catalyst Ti Front, Left 14	1
1b, 2	114554	Frame Assembly, Heavy Duty, Catalyst Ti Front, Left 15	1
1c, 2	114555	Frame Assembly, Heavy Duty, Catalyst Ti Front, Left 16	1
1d, 2	114556	Frame Assembly, Heavy Duty, Catalyst Ti Front, Left 17	1
1e, 2	114557	Frame Assembly, Heavy Duty, Catalyst Ti Front, Left 18	1
1f, 2	114558	Frame Assembly, Heavy Duty, Catalyst Ti Front, Left 19	1
1g, 2	114559	Frame Assembly, Heavy Duty, Catalyst Ti Front, Left 20	1
1h, 2	114560	Frame Assembly, Heavy Duty, Catalyst Ti Front, Right 14	1
1i, 2	114561	Frame Assembly, Heavy Duty, Catalyst Ti Front, Right 15	1
1j, 2	114562	Frame Assembly, Heavy Duty, Catalyst Ti Front, Right 16	1
1k, 2	114563	Frame Assembly, Heavy Duty, Catalyst Ti Front, Right 17	1
1l, 2	114564	Frame Assembly, Heavy Duty, Catalyst Ti Front, Right 18	1
1m, 2	114565	Frame Assembly, Heavy Duty, Catalyst Ti Front, Right 19	1
1n, 2	114566	Frame Assembly, Heavy Duty, Catalyst Ti Front, Right 20	1
1c, 2	114567	Frame Assembly, Heavy Duty, Catalyst Ti Front with Flip Back Arm Modification, Left 16	1
1d, 2	114568	Frame Assembly, Heavy Duty, Catalyst Ti Front with Flip Back Arm Modification, Left 17	1
1e, 2	114569	Frame Assembly, Heavy Duty, Catalyst Ti Front with Flip Back Arm Modification, Left 18	1
1f, 2	114570	Frame Assembly, Heavy Duty, Catalyst Ti Front with Flip Back Arm Modification, Left 19	1
1g, 2	114571	Frame Assembly, Heavy Duty, Catalyst Ti Front with Flip Back Arm Modification, Left 20	1
1j, 2	114572	Frame Assembly, Heavy Duty, Catalyst Ti Front with Flip Back Arm Modification, Right 16	1
1k, 2	114573	Frame Assembly, Heavy Duty, Catalyst Ti Front with Flip Back Arm Modification, Right 17	1
1l, 2	114574	Frame Assembly, Heavy Duty, Catalyst Ti Front with Flip Back Arm Modification, Right 18	1
1m, 2	114575	Frame Assembly, Heavy Duty, Catalyst Ti Front with Flip Back Arm Modification, Right 19	1
1n, 2	114576	Frame Assembly, Heavy Duty, Catalyst Ti Front with Flip Back Arm Modification, Right 20	1
2	100804	Tube End Plug 1" <i>Quantity 2 per side when omitting hangers</i>	1

Item Number	Part Number	Description	Quantity
3	100831	1/2" Washer OD .040" Thick	1
4	000003	Seat Hook, Catalyst	1
5	000004	Seat Hook Support, Catalyst	1
6	101180	M6 x 20 SHCS BLK ZC	1
7	101819	M6 x 40 FHCS Blk Zn	1
8	000336	Latch Block	1
9	100746	M6 Flat Washer Blk Zn	1
10	100658	M6 Nylock Nut Blk Zn	1