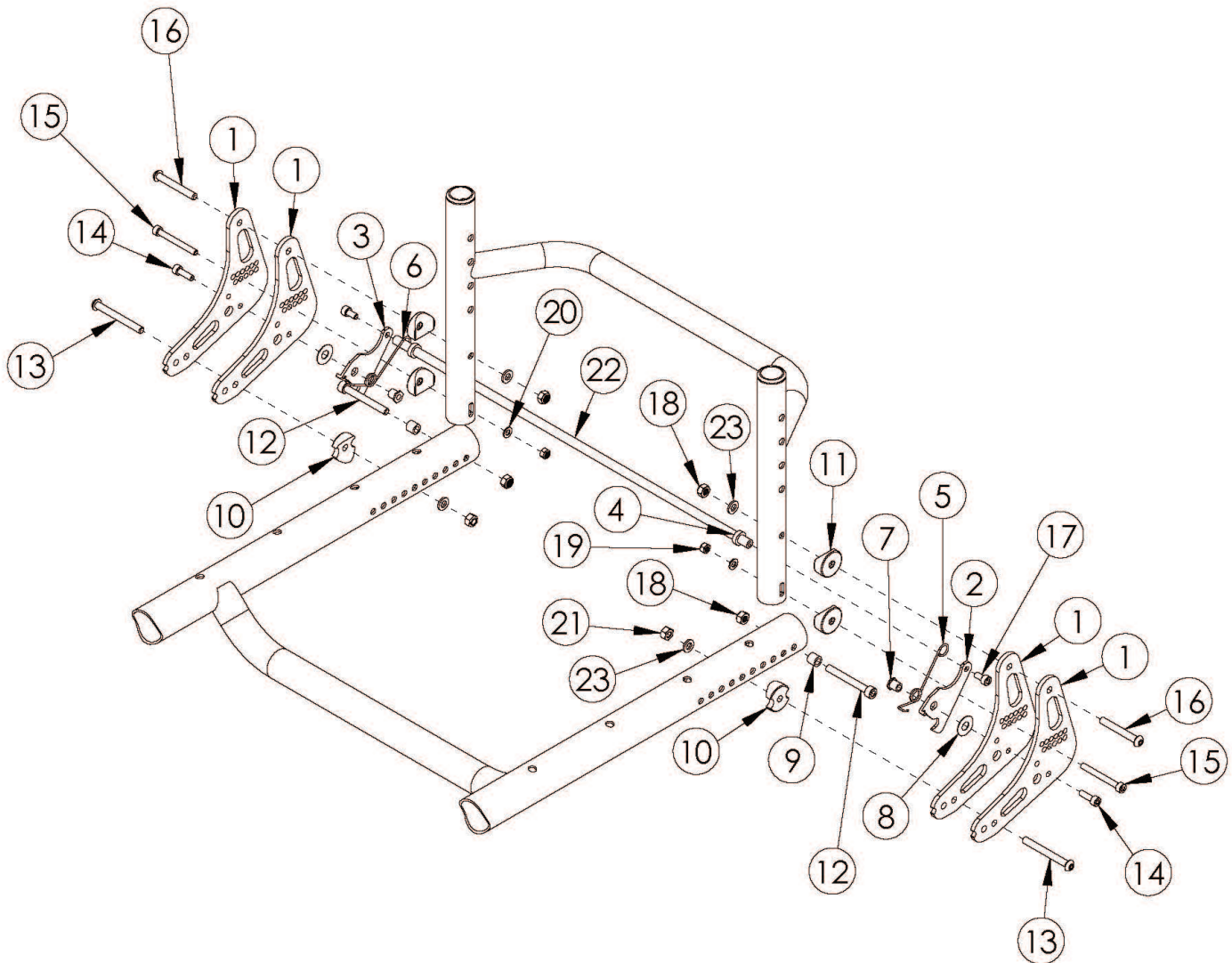


# Tsunami AL Heavy Duty Backrest Mount and Hardware



Heavy Duty option cannot be retrofitted <p>

This Tsunami Heavy Duty Backrest Mount and Hardware is only used with the Tsunami Style Backrest <p>

Backrest Release Bar based on seat width

Item Number	Part Number	Description	Quantity	Retail
1-3, 5-21, 23	111344	Heavy Duty Backrest Plate Kit, Tsunami AL	1	\$277.20
1	000448	Backrest Plate TSU/LW	2	\$43.03
2	000228-L	Backrest Latch Left TSU/LW	1	\$6.78
3	000228-R	Backrest Latch Right TSU/LW	1	\$6.78
4	000432	Backrest Latch Spring Retainer TSU	2	\$0.97

Item Number	Part Number	Description	Quantity	Retail
5	000418L	Backrest Latch Spring Left TSU/LW	1	\$2.25
6	000418R	Backrest Latch Spring Right TSU/LW	1	\$2.25
7	000420	Backrest Latch Pivot Bushing	2	\$2.55
8	000428	Wear Washer	2	\$2.63
9	000240	Backrest Latch Strike Bushing	2	\$3.57
10	000248	Saddle 1.375"	2	\$1.58
11	000055	Saddle 1"	4	\$1.58
12	102473	M6 X 50 CLS12.9 SHCS BLK ZC	2	\$4.20
13a	101125	M6 x 55 BTN SHCS BLKZC <i>Used when bolt mounts the back plate to the frame, no engagement to the tower</i>	2	\$2.10
13b	101126	M6 x 60 BTN SHCS BLKZC <i>Used when bolt goes through tower and slide, but not backrest plate</i>	2	\$2.63
13c	101127	M6 x 65 BTN SHCS BLKZC <i>Used when bolt goes through backrest plate and tower</i>	2	\$2.63
13d	101128	M6 x 70 BTN SHCS BLKZC <i>Used when bolt goes through backrest plate, tower and slide and/or when bolt goes through backrest plate and tower</i>	2	\$2.63
14	101120	M5 x 16 SHCS BLZ	2	\$1.58
15	101186	M5 X 45 CLS12.9 DIN912 SHCS P/THD BLZ	2	\$3.15
16	100670	M6 x 45 BTN SHCS BLK ZC	2	\$1.58
17	101766	M5 x 10 CLS12.9 DIN912 SHCS PLN	2	\$1.58
18	100658	M6 Nylock Nut Blk Zn	4	\$1.05
19	100657	M5 Nylock Nut Blk Zn	2	\$0.53
20	101856	Flat Washer, M5, Blk Zn	2	\$0.53
21	101456	M6 Ovl Top L/N ZC	2	\$1.58
22a, 4	503347	Backrest Release Bar with Retainers 14"	1	\$18.87
22b, 4	503348	Backrest Release Bar with Retainers 15"	1	\$18.87
22c, 4	503349	Backrest Release Bar with Retainers 16"	1	\$18.87
22d, 4	503350	Backrest Release Bar with Retainers 17"	1	\$18.87

<b>Item Number</b>	<b>Part Number</b>	<b>Description</b>	<b>Quantity</b>	<b>Retail</b>
22e, 4	503351	Backrest Release Bar with Retainers 18"	1	\$18.87
22f, 4	503352	Backrest Release Bar with Retainers 19"	1	\$18.87
22g, 4	503353	Backrest Release Bar with Retainers 20"	1	\$23.97
22h, 4	503354	Backrest Release Bar with Retainers 21"	1	\$23.97
22i, 4	503355	Backrest Release Bar with Retainers 22"	1	\$23.97
23	100746	M6 Flat Washer Blk Zn	2	\$1.58