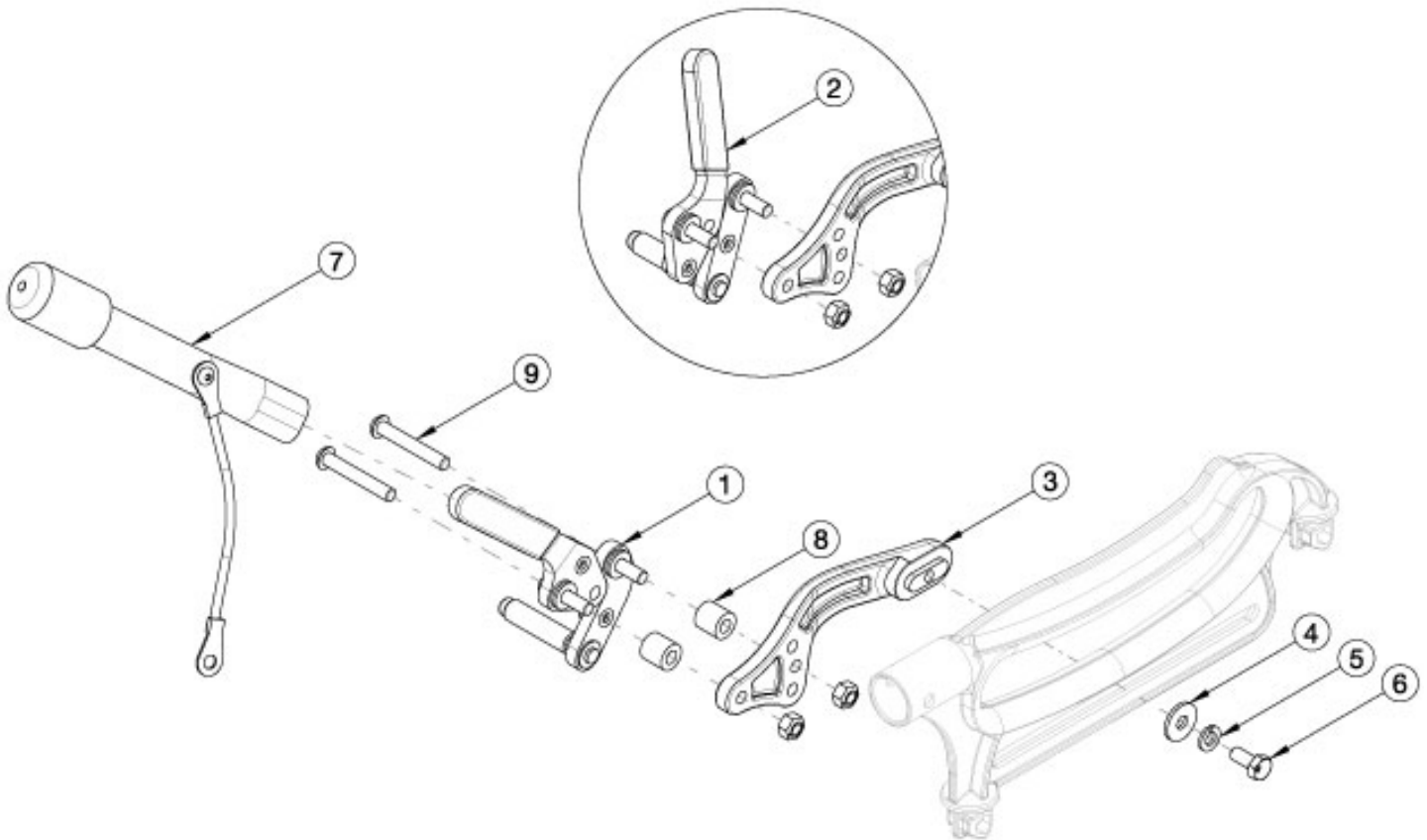


Arc Push / Pull Wheel Locks



Please note: If a "Dual Drum Brake" is present, items 8 and 9 are required. The Arc Wheel Lock Mount is the same across all styles of Wheel Locks and is not needed if changing Wheel Lock styles.

Item Number	Part Number	Description	Quantity
1a, 3a, 4-6	113199	Wheel Lock Assembly, Pull, Right	1
1b, 3b, 4-6	113200	Wheel Lock Assembly, Pull, Left	1
1c, 3a, 4-7	113201	Wheel Lock Assembly, Pull with Extension, Right	1
1d, 3b, 4-7	113202	Wheel Lock Assembly, Pull with Extension, Left	1
2a, 3a, 4-6	113203	Wheel Lock Assembly, Push, Right	1
2b, 3b, 4-6	113204	Wheel Lock Assembly, Push, Left	1
2c, 3a, 4-7	113205	Wheel Lock Assembly, Push with Extension, Right	1
2d, 3b, 4-7	113206	Wheel Lock Assembly, Push with Extension, Left	1
3a, 3b, 4-6	119824	Wheel Lock Mount Kit, Arc <i>Contains parts for both sides</i>	1
1a	003676	Wheel Lock, Pull, R	1

Item Number	Part Number	Description	Quantity
1b	003677	Wheel Lock, Pull, L	1
1c	003678	Wheel Lock, Pull, Ext, R	1
1d	003679	Wheel Lock, Pull, Ext, L	1
2a	003668	Wheel Lock, Push, Right	1
2b	003669	Wheel Lock, Push, Left	1
2c	003670	Wheel Lock, Push with Extension, Right	1
2d	003671	Wheel Lock, Push with Extension, Left	1
3a	110238	Wheel Lock Mount, Right	1
3b	110239	Wheel Lock Mount, Left	1
4	101853	M6 Washer Blk Zn	1
5	101835	M6 Lock Washer Blk Zn	1
6	102794	M6 x 14, HHCS, Blk Zn	1
7	200369	Wheel Lock Extension	1
8	116374	Spacer, .50 OD X .25 ID X .50 LG <i>Only Used in Combination with Dual Drum Brake with Push or Pull to Lock Wheel Locks</i>	2
9	100797	M6 x 40 BHCS BLK ZC <i>Only Used in Combination with Dual Drum Brake with Push or Pull to Lock Wheel Locks</i>	2