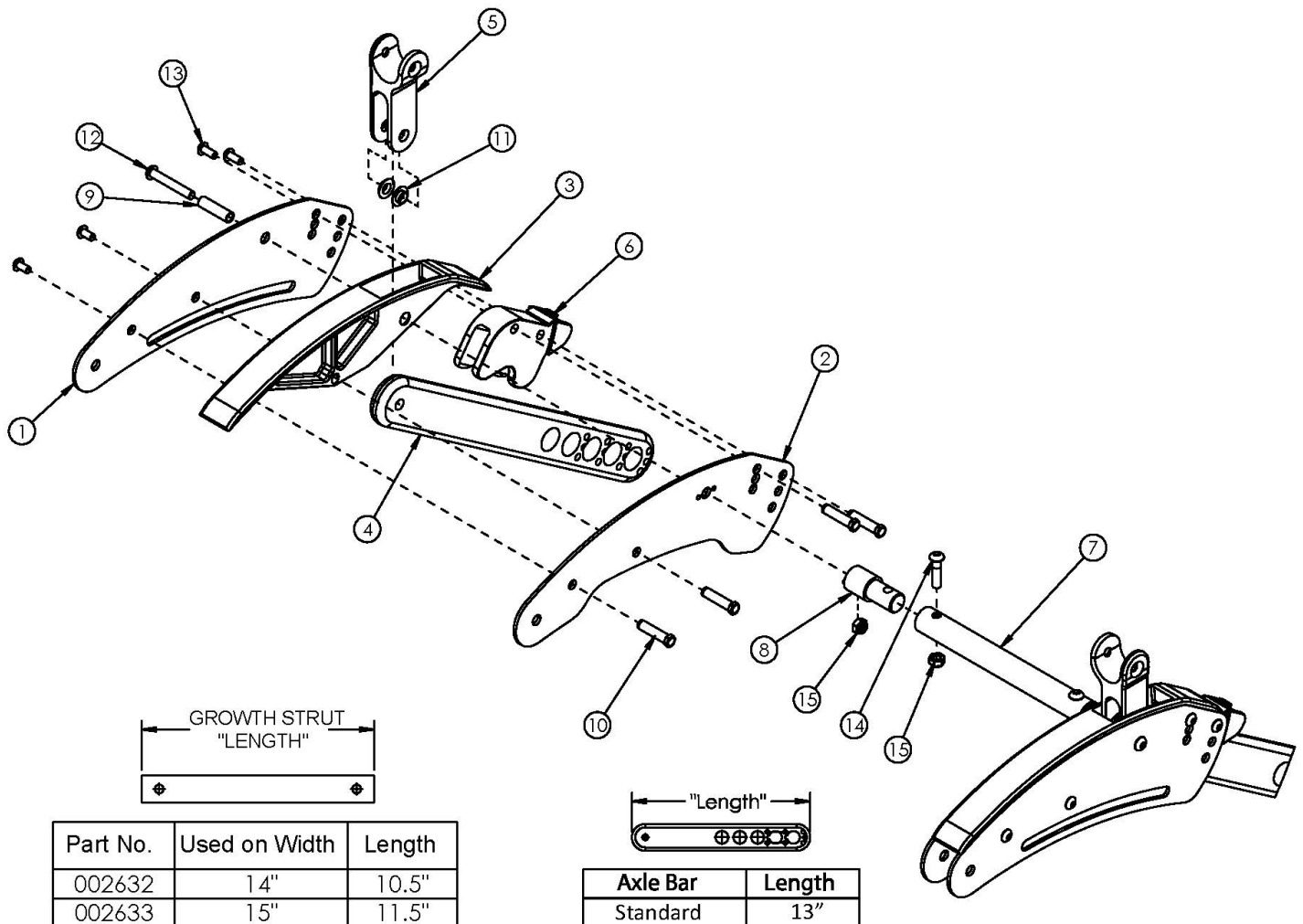


# Flip for Leckey Base Frame



Please Note: The color for the Base Frame Assemblies and Frame Plates is the "Accent Color" for the Flip.

Item Number	Part Number	Description	Quantity
1, 2a, 3, 4, 5, 6, 8-15	502791_ _ _	Base Frame Assembly Std, Right	1
1, 2b, 3, 4, 5, 6, 8-15	502792_ _ _	Base Frame Assembly Std, Left	1
1	001818_ _ _	Frame Plate, Outer	1
2a	002624_ _ _	Frame Plate, Right Inner, FLIP	1
2b	003240_ _ _	Frame Plate, Left Inner, FLIP	1
3	001819	Cover, Frame Plate	1
4	001838	Axle Bar, Standard	1

Item Number	Part Number	Description	Quantity
5	001878	Tilt Yoke	1
6	001837	Saddle, Axle Bar	1
7a	002632	Frame Growth Strut 10.5"	1
7b	002633	Frame Growth Strut 11.5"	1
8	002626	Strut Mount, Rear	1
9	001820	Spacer, Frame	1
10	000987	Threaded Fastener	4
11	102786	Iglide Flange Bushing	2
12	100670	M6 x 45 BTN SHCS BLK ZC	1
13	100669	M5 x 10 BTN SHCS BLKZC w/Patch	4
14	102792	M6 x 25, HHCS, Blk Zn	1
15	100658	M6 Nylock Nut Blk Zn	2

Matte Finish	
Code	Color Name
CGM	Charcoal Gray
EGM	Emerald Green
GGM	Graphite Gray*
IBM	Iridescent Burgundy
INM	Iridescent Navy
AGM	Military Green**
RRM	Retro Red
RBM	Royal Blue
SBM	Shadow Black
SWM	Smooth White

\* Discontinued Color

\*\* Formerly called Army Green

Gloss Finish	
Code	Color Name
BLK	Black
BLU	Blue
SKY	Blue Skies
BRO	Bright Orange*
PNK	Bubblegum Pink
BUR	Burgundy*
CBL	Candy Blue
PUR	Candy Purple
RED	Candy Red
COP	Copper
DPR	Deep Purple*
EBL	Electric Blue*
GRN	Forest Green*
FUS	Fuchsia*
GSM	Granny Smith
MTF	Metallic Fuchsia
MOR	Metallic Orange
ORG	Orange*
SAP	Sapphire*
SIL	Silver
TEA	Teal
YLW	Yellow
FLM	Graphic Image Transfer