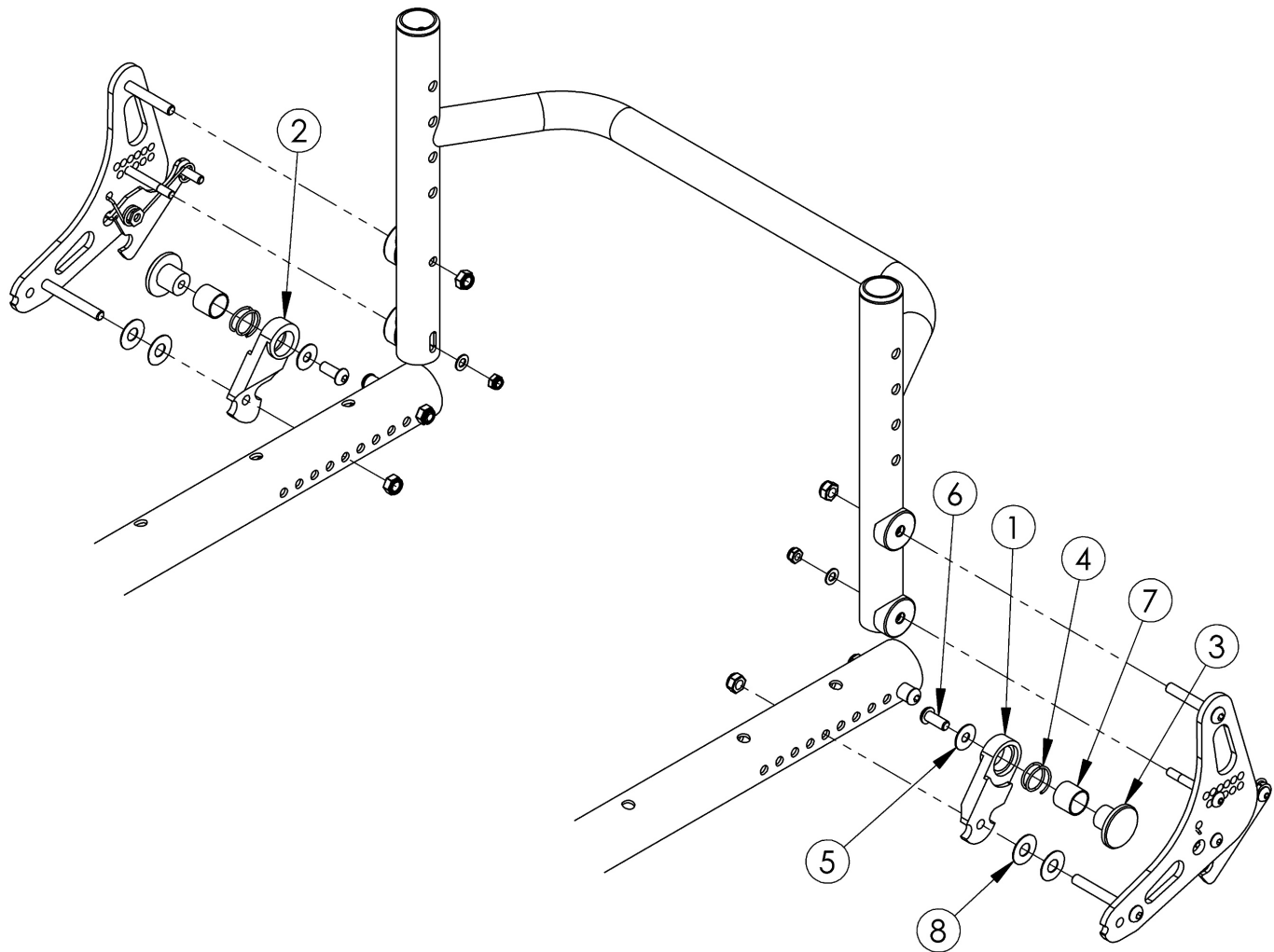


## **(Discontinued) Aluminum Tsunami Backrest Lockout**



*This Tsunami Backrest Lockout can only be used with the Tsunami Style Backrest. The right and left assemblies shouldn't be ordered together. The right and left assemblies indicate what side the lockout bracket is located (desired) on.*

Item Number	Part Number	Description	Quantity
2 - 8	500552	Backrest Lockout Assembly Right AL TSU	1
1, 3 - 8	500745	Backrest Lockout Assembly Left, RG ALX/LW XP	1
1	000459	Backrest Lockout Bracket AL Left, RG ALX/LW XP	1
2	000449	Backrest Lockout Bracket AL Right, RG ALX/LW XP	1
3	000435	Backrest Lockout Button, RG ALX/LW XP	1
4	000447	Backrest Lockout Spring, RG ALX/LW XP	1
5	102629	Seastrom 5610-69-062 Washer Nylon Black	1

<b>Item Number</b>	<b>Part Number</b>	<b>Description</b>	<b>Quantity</b>
6	100669	M5 x 10 BTN SHCS BLKZC w/Patch	1
7	000456	Lockout Sleeve	1
8	000428	Wear Washer	2