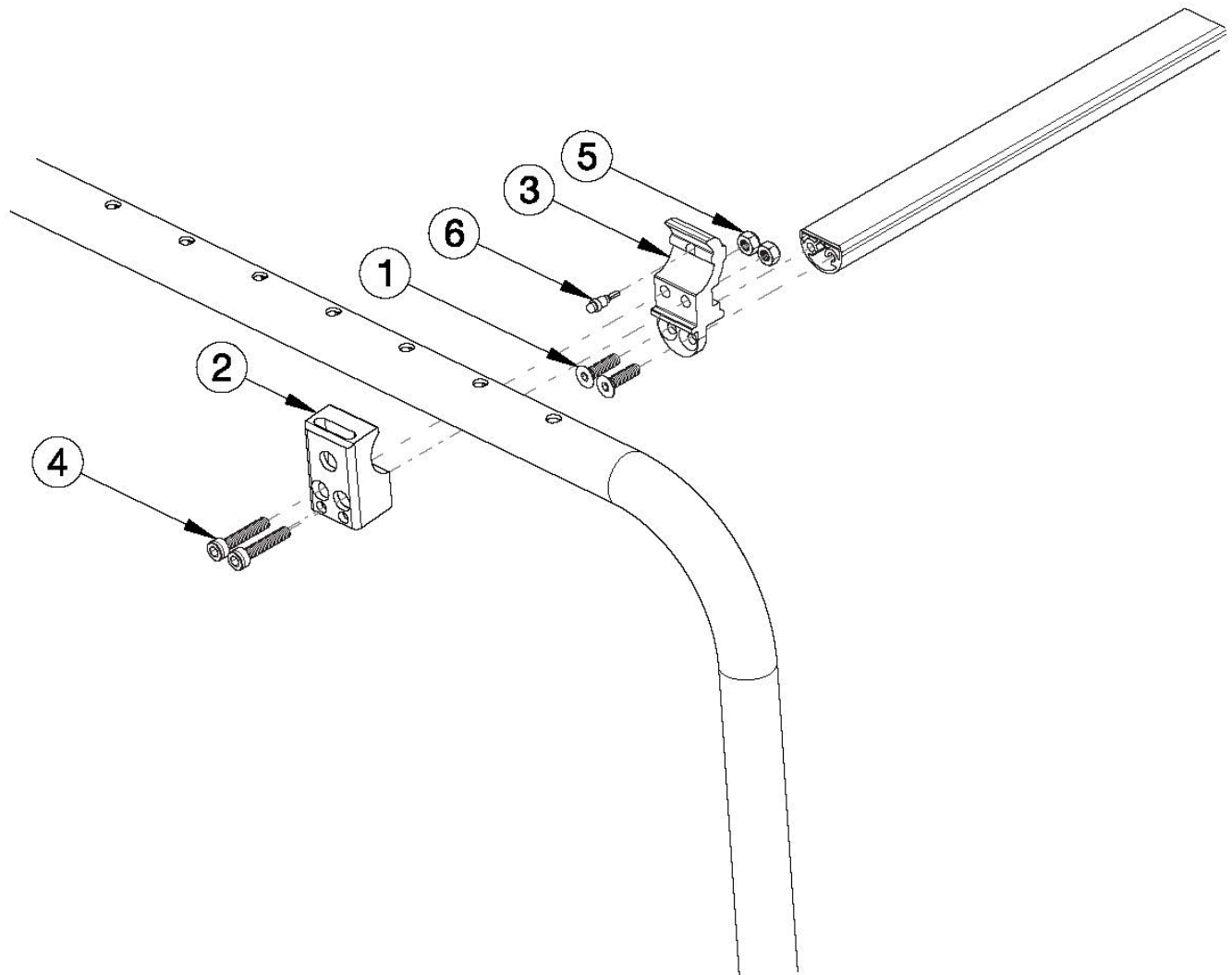


Clik Composite Side Guard Receiver



Color anodized versions of this receiver may not contain the two counterbored holes at the bottom of the receiver

| Item Number | Part Number | Description | Quantity | Retail |
|--------------|-------------|---|----------|---------|
| 1, 2a, 3 - 6 | 502516 | Side Guard Clamp Black Anodized and Hardware Kit CLIK | 1 | \$44.50 |
| 1, 2b, 3 - 6 | 502516_ _ _ | Color Anodized Side Guard Clamp and Hardware Kit CLIK | 1 | \$55.16 |
| 1 | 102624 | M6 X 22 FHCS BLK ZC | 2 | \$1.05 |
| 2a | 001778 | Side Guard and Ped T-Arm Clamp Black Anodized, Clik | 1 | \$20.94 |
| 2b | 001778_ _ _ | Side Guard Clamp and Ped T-Arm Color Anodized LW | 1 | \$30.40 |
| 3 | 001799 | Crosstube Mount LW | 1 | \$18.46 |

| Item Number | Part Number | Description | Quantity | Retail |
|--------------------|--------------------|----------------------|-----------------|---------------|
| 4 | 102627 | M6 X 30 SHCS BLK ZC | 2 | \$1.05 |
| 5 | 100658 | M6 Nylock Nut Blk Zn | 2 | \$1.05 |

Color Anodizing Samples

