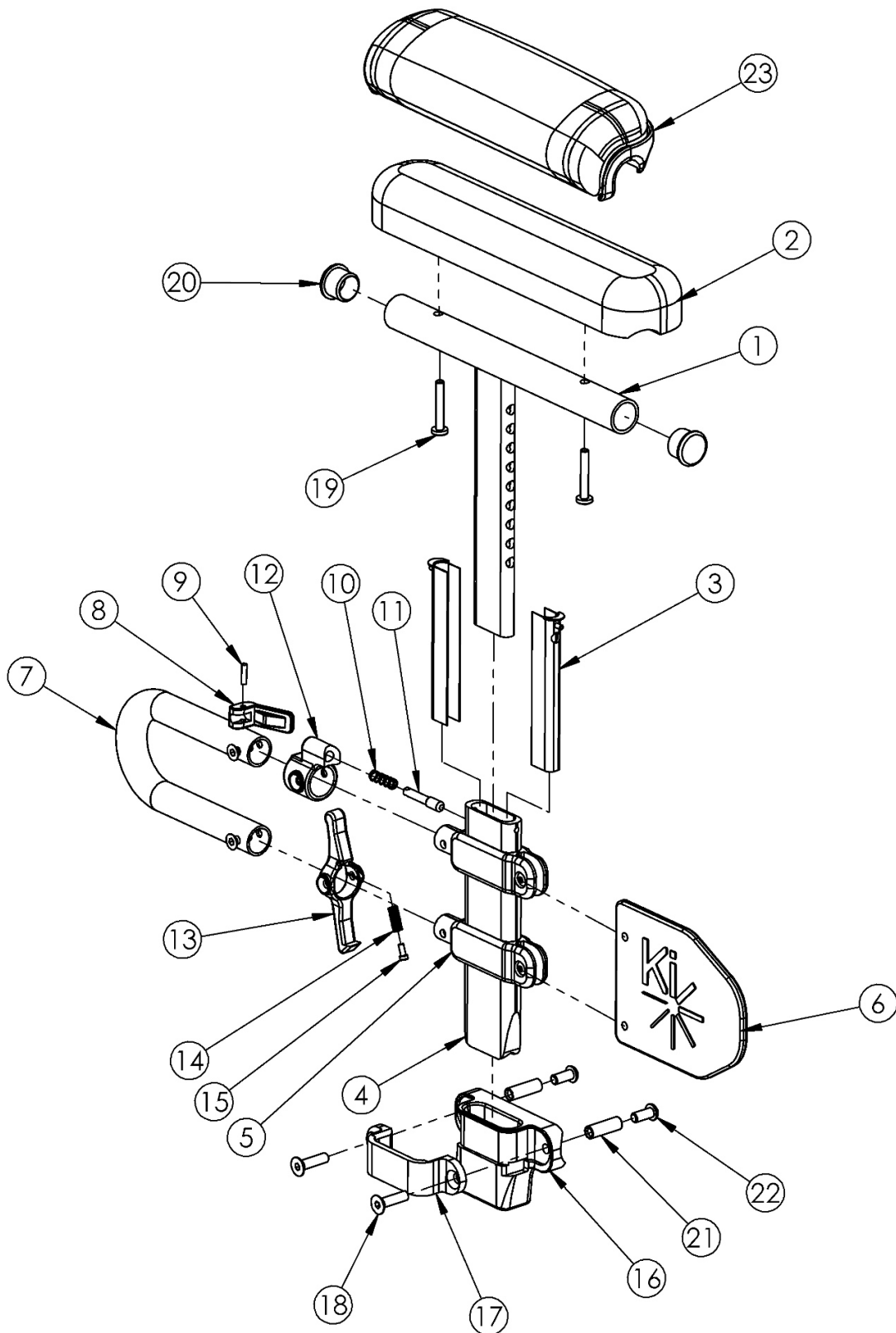


# Spark Height Adjustable Low T-Arm



If retrofitting to Height Adjustable Low T-Arms, please note the following: \* New rear frames are required \* Receivers are needed \* If One Arm Drive is present, a new drive shaft may be required. In addition to a new drive shaft, order the corresponding hardware kit: 109439 for Blade Style One Arm Drive, 503433 for Hex Style One Arm Drive or 112898 for Quick Release Style One Arm Drive

Item Number	Part Number	Description	Quantity
1a, 2b, 3-18, 19a, 20-22	121217	Height Adj T-Arm Assm Low, Desk w/ Std Pad and Spark Receiver PAIR	1
1a, 2b, 3-18, 19a, 20-22	121209	Height Adj T-Arm Assm Low, Desk w/ Std Pad and Spark Receiver	1
1a, 2b, 3-15, 19a, 20	121241	Height Adjustable T-Arm Assembly Low, Desk w/ Std Pad	1
1b, 2a, 3-18, 19a, 20-22	113457	Height Adj T-Arm Assm Low, Full w/ Std Pad and Spark Receiver PAIR	1
1b, 2a, 3-18, 19a, 20-22	113437	Height Adj T-Arm Assm Low, Full w/ Std Pad and Spark Receiver Right	1
1b, 2a, 3-15, 19a, 20	503169	Height Adjustable T-Arm Assembly Low Full w/ Std Pad	1
1a, 3-18, 19b, 20-22, 23b	121219	Height Adj T-Arm Assm Low, Desk w/ Waterfall Pad and Spark Receiver PAIR	1
1a, 3-18, 19b, 20-22, 23b	121210	Height Adj T-Arm Assm Low, Desk w/ Waterfall Pad and Spark Receiver	1
1a, 3-15, 19b, 20, 23b	121243	Height Adjustable T-Arm Assembly Low, Desk w/ Waterfall Pad	1
1b, 3-18, 19b, 20-22, 23a	113459	Height Adj T-Arm Assm Low, Full w/ Waterfall Pad and Spark Receiver PAIR	1
1b, 3-15, 19b, 20, 23a	503185	Height Adjustable T-Arm Assembly Low Full w/ Waterfall Pad	1
1a, 3-15, 20	114488	Height Adjustable T-Arm, Desk, Low <i>Replaced 002681 / 002682</i>	1
1b, 3-15, 20	002683	Arm T Height Adjustable Low, Full Right Assembly	1
1b, 3-15, 20	114489	Height Adjustable T-Arm, Full, Low <i>Replaced 002683 / 002684</i>	1
16-18, 21,22	505276	Height Adjustable T-Arm Receiver Assembly 1" Spark	1
1a, 20	002648	Post Weldment, T-Arm, Low, Desk	1
1b, 20	002649	Post Weldment, T-Arm, Low, Full	1
8-12	500541	Arm Height Adjustable T Upper Lever Assembly	1
2a	100500	Arm Pad Full	1
2b	100501	Arm Pad Desk	1
3	000090	Height Adjustable T Armrest Shim	2
4	002105	Tube, Outer, T-Arm, Low	1
7	002104	Transfer Tube, T-Arm, Low	1
9	200257	Dowel Pin 1/8 x 1/2	1

Item Number	Part Number	Description	Quantity
10	000134	Height Adjustable Armrest Lever Spring	1
11	000099	Height Adjustable Armrest Lever Pin	1
12	000096	Height Adjustable T Armrest Pin Lock Housing	1
13	002106	Lever, T-Arm, Low	1
14	000135	Height Adjustable T Armrest Release Lever Spring	1
15	000152	Height Adjustable T Armrest Release Spring Button	1
16	002723	Height Adjustable T-Arm Receiver Spark	1
17	000088	Height Adjustable T Armrest Bracket	1
18	100866	M6 x 20 CLS12.9 DIN7991 FSHCS Blk Zc w/Patch	2
19a	100696	M5 x 30mm PPH Capscrew <i>Used with Standard Arm Pads</i>	2
19b	100654	M5 x 40 DIN7985 PH Pan HD M/S ZC <i>Used with Waterfall Arm Pads</i>	2
20	100803	Tube End Plug 7/8"	2
21	000065	M6 x 23.68 Threaded Barrel	2
22	100667	M6 x 12 BTN SHCS BLKZC w/Patch	2
23a	102452	Waterfall Arm Pad Full	1
23b	102521	Waterfall Arm Pad Desk	1