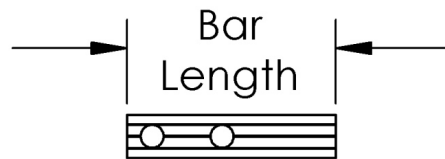
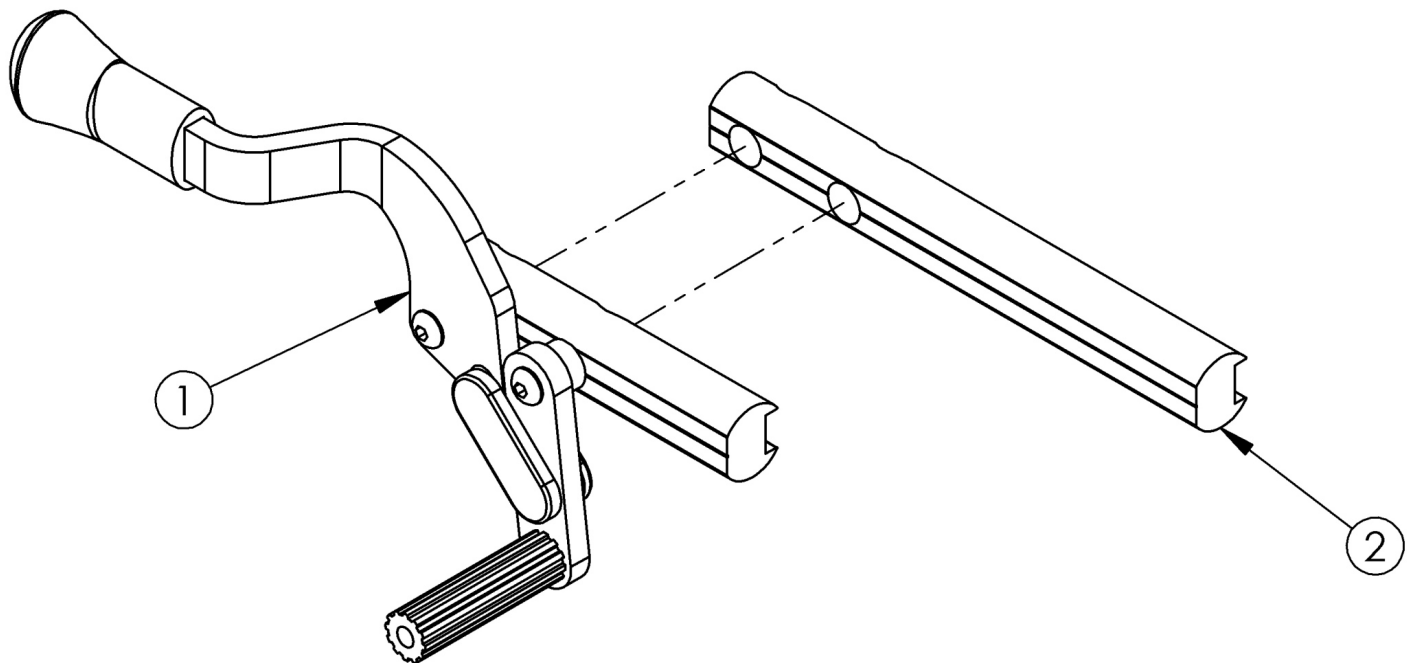


Push to Lock Flush Mount Wheel Lock



Part #	Bar	Length
N/A	Standard	3.5"
000904	Extended	6.0"

Ethos: if adding Wheel Locks to a chair, new Front ISO Towers are required

Item Number	Part Number	Description	Quantity
1a	503828	Wheel Lock Toggle Push Flush, Left w/ Instruction <i>This kit contains 100648 wheel lock along with an instruction for reversing the wheel lock. This wheel lock comes assembled with the standard wheel lock bar.</i>	1
1b	503829	Wheel Lock Toggle Push Flush, Right w/ Instruction <i>This kit contains 100649 wheel lock along with an instruction for reversing the wheel lock. This wheel lock comes assembled with the standard wheel lock bar.</i>	1
2	000904	Extended Wheel Lock Bar <i>Used for custom configurations</i>	1