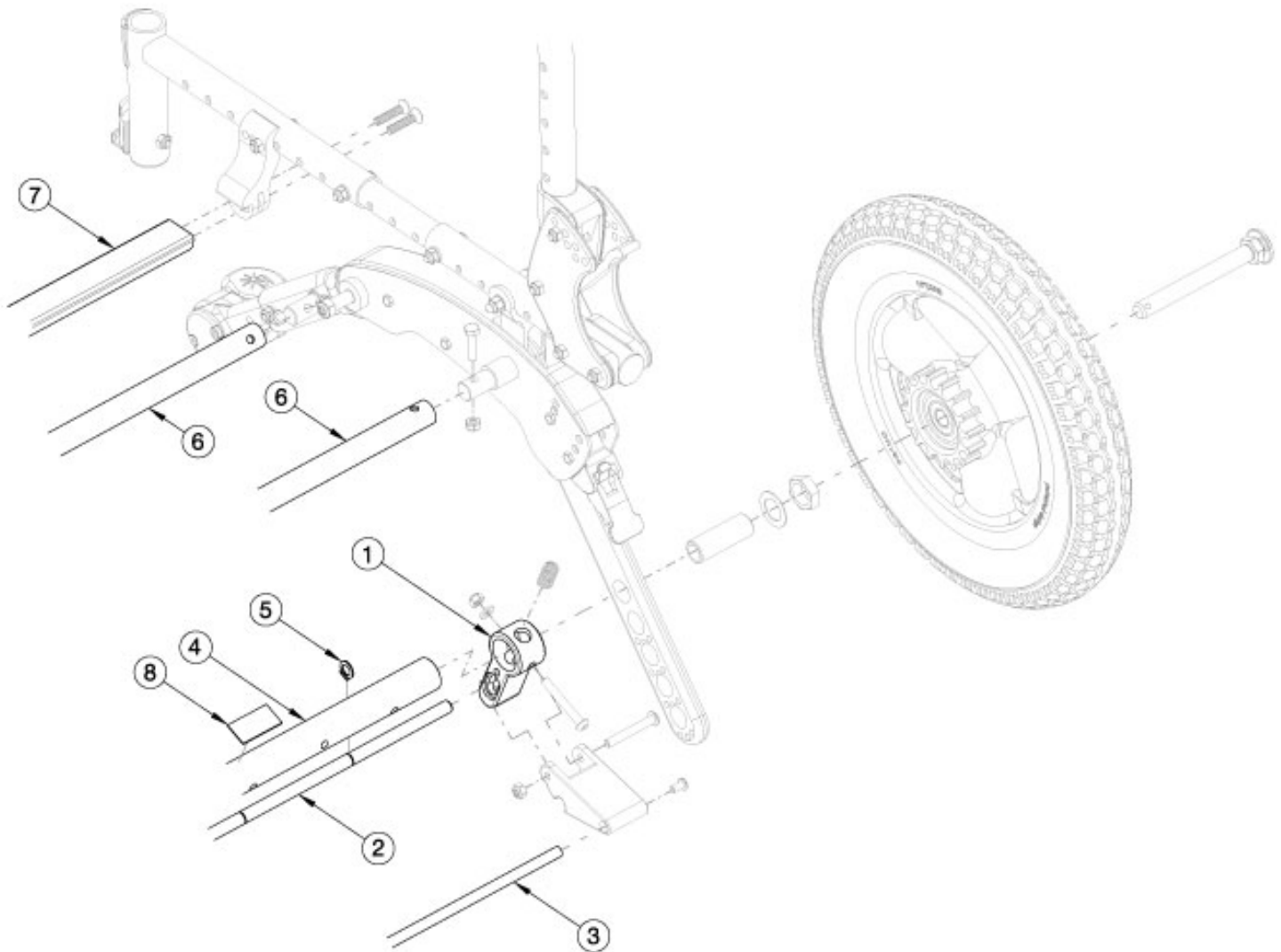


Flip Attendant Foot Lock - Growth



Has your width changed? If yes, please select the appropriate strut kit.

Item Number	Part Number	Description	Quantity
1, 2a, 3a, 4a, 5, 6a, 6d, 7a, 8	505479	Strut Kit 10" Wide Flip w/ Attendant Foot Lock	1
1, 2b, 3b, 4b, 5, 6b, 6e, 7b, 8	505480	Strut Kit 11" Wide Flip w/ Attendant Foot Lock	1
1, 2c, 3c, 4c, 5, 6c, 6f, 7c, 8	505481	Strut Kit 12" Wide Flip w/ Attendant Foot Lock	1
1, 2d, 3d, 4d, 5, 6d, 6g, 7d, 8	505482	Strut Kit 13" Wide Flip w/ Attendant Foot Lock	1
1, 2e, 3e, 4e, 5, 6e, 6h, 7e, 8	505483	Strut Kit 14" Wide Flip w/ Attendant Foot Lock	1
1, 2f, 3f, 4f, 5, 6f, 6i, 7f, 8	505484	Strut Kit 15" Wide Flip w/ Attendant Foot Lock	1
1, 2g, 3g, 4g, 5, 6g, 6j, 7g, 8	505485	Strut Kit 16" Wide Flip w/ Attendant Foot Lock	1

Item Number	Part Number	Description	Quantity
1, 2h, 3h, 4h, 5, 6h, 6k, 7h, 8	505486	Strut Kit 17" Wide Flip w/ Attendant Foot Lock	1
1, 2i, 3i, 4i, 5, 6i, 6l, 7i, 8	505487	Strut Kit 18" Wide Flip w/ Attendant Foot Lock	1
1, 2a, 5	505461	Locking Rod Hub Lock 10 Wide Kit	1
1, 2b, 5	505462	Locking Rod Hub Lock 11 Wide Kit	1
1, 2c, 5	505463	Locking Rod Hub Lock 12 Wide Kit	1
1, 2d, 5	505464	Locking Rod Hub Lock 13 Wide Kit	1
1, 2e, 5	505465	Locking Rod Hub Lock 14 Wide Kit	1
1, 2f, 5	505466	Locking Rod Hub Lock 15 Wide Kit	1
1, 2g, 5	505467	Locking Rod Hub Lock 16 Wide Kit	1
1, 2h, 5	505468	Locking Rod Hub Lock 17 Wide Kit	1
1, 2i, 5	505469	Locking Rod Hub Lock 18 Wide Kit	1