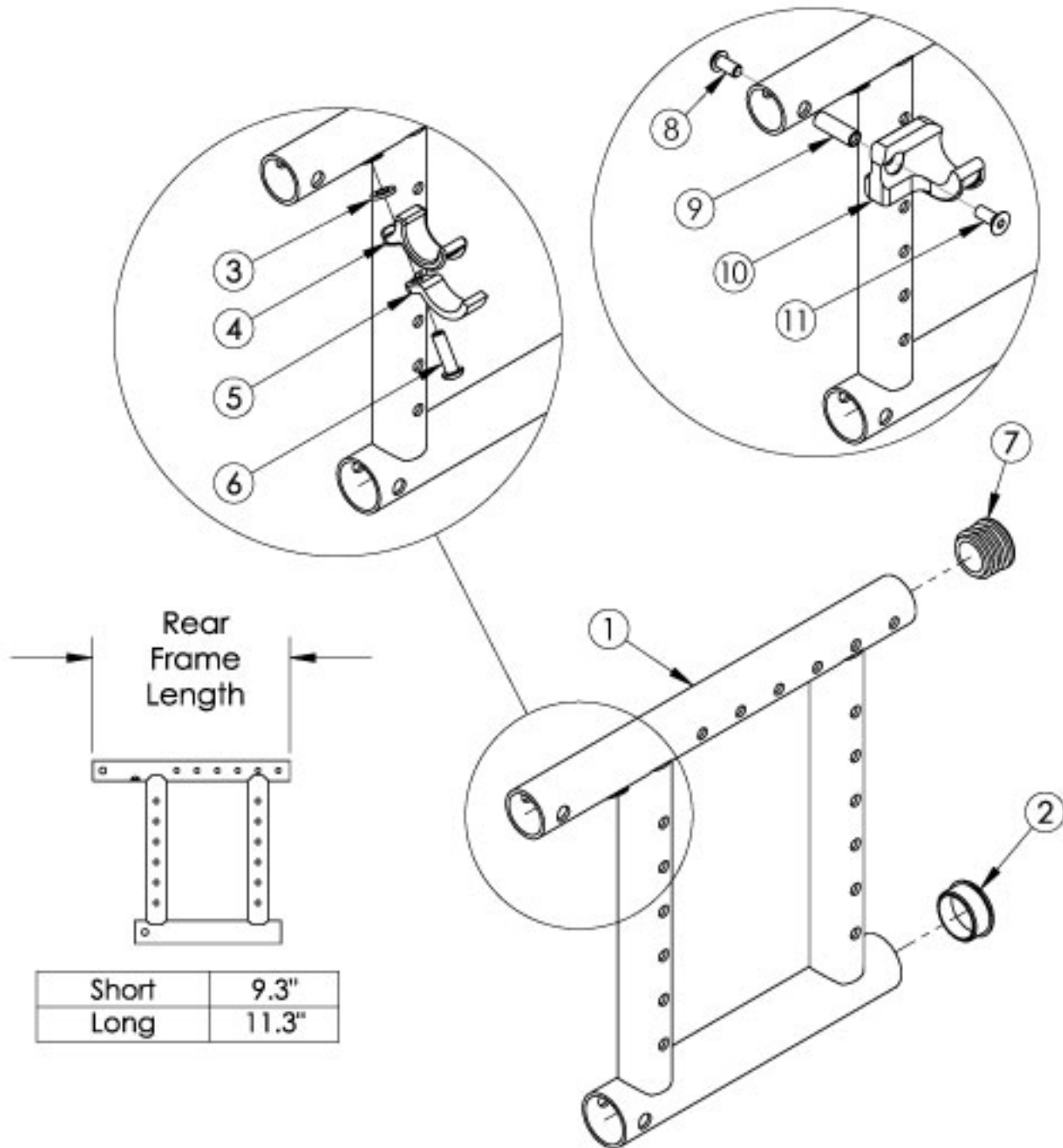


Catalyst 5 Reclining Rear Frame



<p>If chair has any type of direct mount side guards, select a frame assembly with Side Guard Mount Modification.<p>Use short frame for 14-17" Seat Depths. Use long frame for 18-20" Seat Depths.<p>

If changing to or from a reclining configuration, new sized anti-tips may be required.<p>

If retrofitting to a Reclining Rear Frame, Amputee Anti-tip Spacers and Saddles are required. <p>

If changing to a new chair depth, new Height Adjustable T-Arms may be required. <p>

Not available with Heavy Duty Option or Transit Option.

Item Number	Part Number	Description	Quantity	Retail
3, 4, 5, 6	501005	Seat Hook and Support Hardware Kit, Standard, Catalyst <i>This kit contains quantity of 1 each</i>	1	\$18.27
8, 9, 10a, 11	111569	Seat Hook and Support Hardware Kit, Seating System, Right Side, Catalyst <i>This kit contains quantity of 1 each</i>	1	\$31.04
8, 9, 10b, 11	111570	Seat Hook and Support Hardware Kit, Seating System, Left Side, Catalyst <i>This kit contains quantity of 1 each</i>	1	\$31.04
1a, 2, 7	505243_ _ _	Frame Assembly, Catalyst Reclining Rear, Left, Short	1	\$256.73 - \$391.94
1c, 2, 7	505245_ _ _	Frame Assembly, Catalyst Reclining Rear, Right, Short	1	\$256.73 - \$391.94
1b, 2, 7	505244_ _ _	Frame Assembly, Catalyst Reclining Rear, Left, Long	1	\$256.73 - \$391.94
1d, 2, 7	505246_ _ _	Frame Assembly, Catalyst Reclining Rear, Right, Long	1	\$256.73 - \$391.94
1a, 2, 7	114410_ _ _	Frame Assembly, Catalyst Reclining Rear with Side Guard Mount Modification, Left, Short	1	\$256.73 - \$391.94
1c, 2, 7	114412_ _ _	Frame Assembly, Catalyst Reclining Rear with Side Guard Mount Modification, Right, Short	1	\$256.73 - \$391.94
1b, 2, 7	114411_ _ _	Frame Assembly, Catalyst Reclining Rear with Side Guard Mount Modification, Left, Long	1	\$256.73 - \$391.94
1d, 2, 7	114413_ _ _	Frame Assembly, Catalyst Reclining Rear with Side Guard Mount Modification, Right, Long	1	\$256.73 - \$391.94
2	100532	Tube End Plug 1 1/8"	1	\$2.76
3	100831	1/2" Washer OD .040" Thick	1	\$1.66
4	000003	Seat Hook, Catalyst	1	\$8.09
5	000004	Seat Hook Support, Catalyst	1	\$6.88
6	100668	M6 x 20 CLS10.9 BTN SHCS ZC w/Patch	1	\$1.66
7	100804	Tube End Plug 1"	1	\$1.66
8	100667	M6 x 12 BTN SHCS BLKZC w/Patch	1	\$1.66
9	000065	M6 x 23.68 Threaded Barrel	1	\$4.34
10a	000960R	Seat Hook Open Frame Right Front Frame / Left Rear Frame, Catalyst	1	\$22.84
10b	000960L	Seat Hook Open Frame Left Front Frame / Right Rear Frame, Catalyst	1	\$22.84
11	101594	M6 x 14 CLS10.9 DIN7991 FSHCS BLKZC w/Patch	1	\$2.21

Matte Finish	
Code	Color Name
CGM	Charcoal Gray
EGM	Emerald Green
GGM	Graphite Gray*
IBM	Iridescent Burgundy
INM	Iridescent Navy
AGM	Military Green**
RRM	Retro Red
RBM	Royal Blue
SBM	Shadow Black
SWM	Smooth White

* Discontinued Color

** Formerly called Army Green

Gloss Finish	
Code	Color Name
BLK	Black
BLU	Blue
SKY	Blue Skies
BRO	Bright Orange*
PNK	Bubblegum Pink
BUR	Burgundy*
CBL	Candy Blue
PUR	Candy Purple
RED	Candy Red
COP	Copper
DPR	Deep Purple*
EBL	Electric Blue*
GRN	Forest Green*
FUS	Fuchsia*
GSM	Granny Smith
MTF	Metallic Fuchsia*
MOR	Metallic Orange
ORG	Orange*
SAP	Sapphire*
SIL	Silver
TEA	Teal
YLW	Yellow
FLM	Graphic Image Transfer