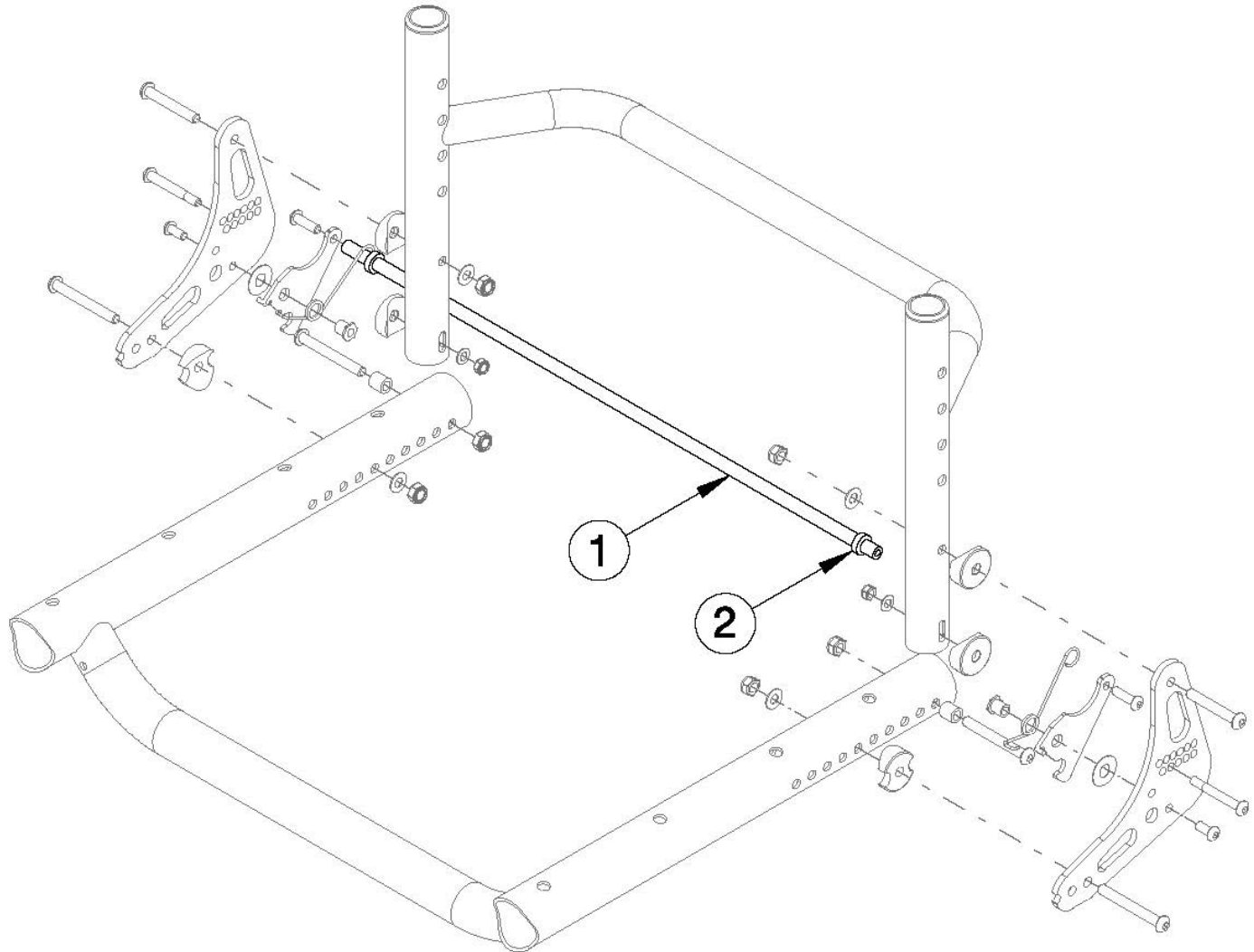


(Discontinued) Rogue ALX Backrest Mount and Hardware - Growth (Formerly Tsunami)



Utilize this page if chair has Locking Fold Down Back (Rogue10 Style). Backrest Release Bar based on seat width. This Tsunami Backrest Mount and Hardware is only used with the Tsunami Style Backrest.

Item Number	Part Number	Description	Quantity
1a, 2	503347	Backrest Release Bar with Retainers 14"	1
1b, 2	503348	Backrest Release Bar with Retainers 15"	1
1c, 2	503349	Backrest Release Bar with Retainers 16"	1
1d, 2	503350	Backrest Release Bar with Retainers 17"	1
1e, 2	503351	Backrest Release Bar with Retainers 18"	1

Item Number	Part Number	Description	Quantity
1f, 2	503352	Backrest Release Bar with Retainers 19"	1
1g, 2	503353	Backrest Release Bar with Retainers 20"	1
1h, 2	503354	Backrest Release Bar with Retainers 21"	1
1i, 2	503355	Backrest Release Bar with Retainers 22"	1