



ZIPPIE VOYAGE SEAT TO BASE RETRO-FIT KIT INSTALLATION



Please read these instructions carefully before beginning the installation. Failure to understand and follow installation instructions may result in injury to installer and/or end user and may void the warranty. If you have any questions call Sunrise Medical Technical support at 800-333-4000

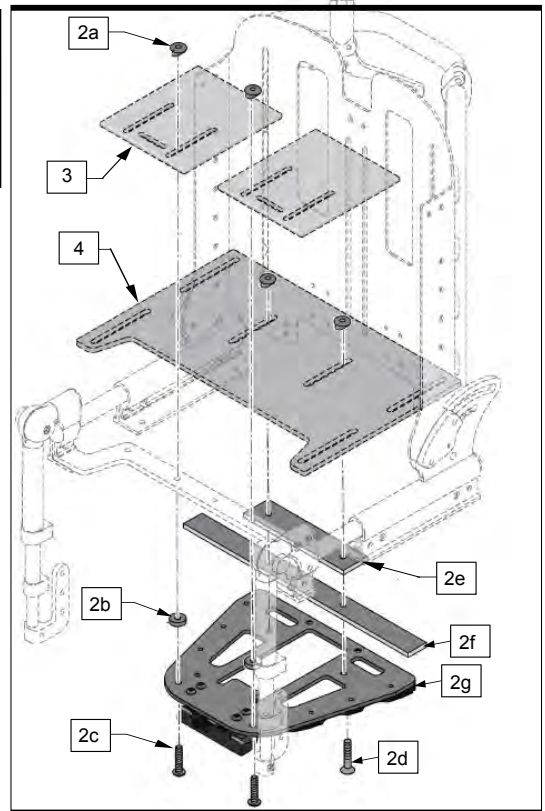
1. Parts in this Transit Kit:

1. Qty 1 Voyage Base
2. Qty 1 Slide-N-Lock Receiver Assembly
 - 2a. Qty 4 T-Nut M6
 - 2b. Qty 2 Spacer
 - 2c. Qty 2 Socket head screw M6x30(1-3/16")
 - 2d. Qty 2 Flat head screw M6x25(1")
 - 2e. Qty 1 Spacer bar short
 - 2f. Qty 1 Spacer bar long
 - 2g. Qty 1 Slide-N-Lock Base
3. Qty 2 Leg plates
4. Qty 1 Seat base
5. Qty 2 Conversion cover
6. Qty 2 Flat head screw M5x25(1")



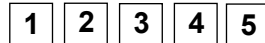
2. Tools Needed:

1. 3mm Hex Key
2. 4mm Hex Key
3. 5mm Hex Key
4. Torque Wrench

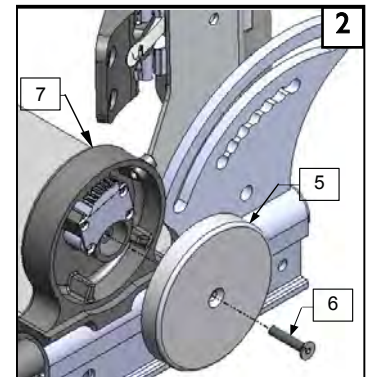
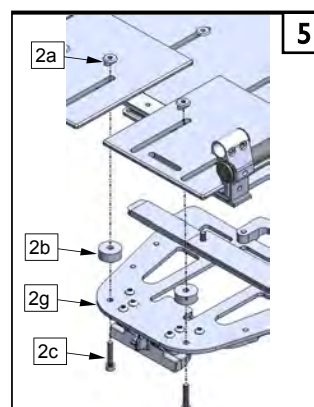
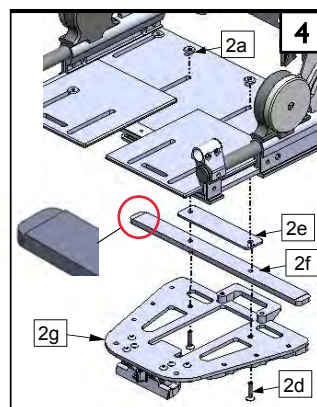
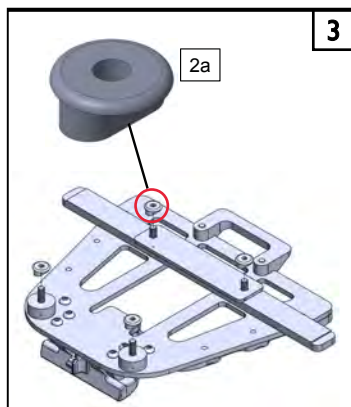
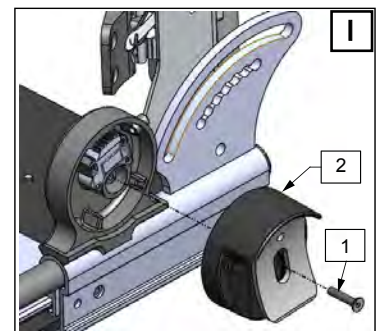


A. SLIDE-N-LOCK RECEIVER

1. Slide-N-Lock Receiver Installation



- Remove the seat from the Voyage Base and set it on a good work bench or a table for the installation.
- Remove the screw (1) from the side latch assembly (2) using the 3mm Hex Key. Discard latch assembly and screw. Repeat on opposite side, Fig. 1.
- Using the supplied M5x25 screws (6) and a 3mm Hex Key, install the conversion cover (5) onto the the side latch housing (7) to replace the cover removed in Step b. Repeat on the opposite side. Tighten screw securely. Fig. 2.
- Remove the four T-nuts (2a) from the Slide-N-Lock Receiver assembly and set aside. Fig. 3.
- Ensure that the short spacer bar (2e) is on top of the long spacer bar (2f) and that the notch on the long spacer bar is facing up. Insert flat head screws (2d) through the Slide-N-Lock base (2g), through both bars, the seat, and into the T-Nuts (2a). Using a 4mm Hex Key tighten securely. Fig. 4.
- Insert socket head screws (2c) through the Slide-N-Lock Base (2g), the spacers (2b), the seat, and into the last 2 T-Nuts (2a). Tighten securely with a 5mm Hex Key. Fig. 5.
- Using a torque wrench tighten the four M6 screws (2c & 2d) on the Slide-N-Lock receiver to 75-85 in-lbs.

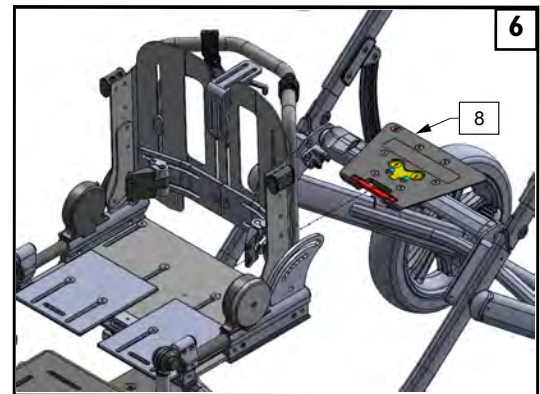


C. SEAT TO NEW BASE 6**1. Installing the Seat Onto the New Base**

- a. Firmly grasp the seat at the front and back.
- b. Align the seat Slide-N-Lock receiver to the base Slide-N-Lock receiver (8).
- c. Slide the seat back onto the Slide-N-Lock Base Receiver until it clicks into place. Tug on the seat to ensure it is firmly locked in place.

⚠ WARNING

Remove the child from the seat before installing or un-installing the seat.

**C. INSPECT**

- a. Check that the seat is locked into place before using.
- b. Using a torque wrench check Slide-N-Lock Receiver screws for correct torque.

DEALER/TECHNICIAN WARNING**⚠ WARNING**

Attention dealers and qualified technicians, do not operate or service this device without first reading the owners manual. If you do not understand the instructions and warnings in the owners manual please contact the Quickie Technical Service Department before operating and/or servicing the Quickie device. Failure to do so may result in damage and/or injury.

IMPORTANT– Please see the Zippie Voyage owner’s manual for additional warnings and information.

Sunrise Medical • 2842 N. Business Park Ave. • Fresno, CA 93727 • USA
In Canada (800) 263-3390