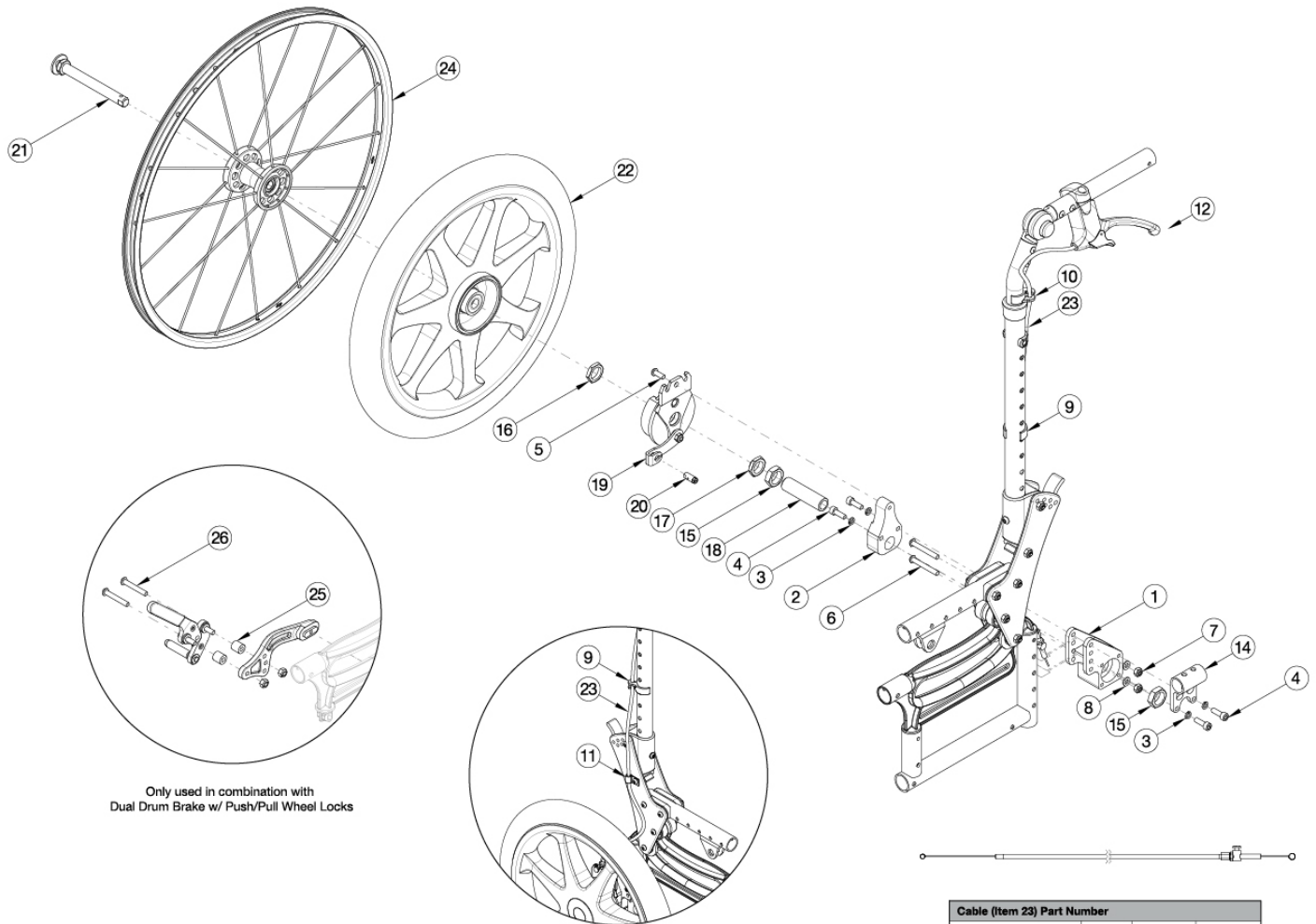


Arc Drum Brake



Only used in combination with Dual Drum Brake w/ Push/Pull Wheel Locks

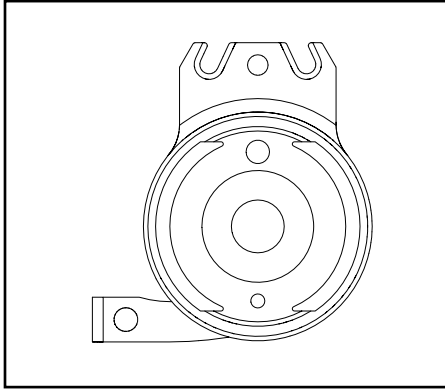
Cable (Item 23) Part Number			
Backrest	Back Height	Standard Frame	Extended Frame
	18-22"	122726	122727
Ht. Adj., Adj. Ph., Std.	23-25"	122727	122728
	20-24"	122727	122728
Ht. Adj., Adj. Ph., Til.	25-27"	122728	122729
Fixed Ht., Adj. Ph., Sht.	22"	122726	122727
Fixed Ht., Adj. Ph., Til.	26"	122727	122728
Stroller, Sht.	20"	122732	122726
Stroller, Til.	24"	122726	122727

Please Note: Not available with hand tilt mechanisms, requires a foot tilt mechanism. If adding Push or Pull to Lock Wheel Locks in combination with the Drum Brake, items 25 and 26 are required. If retrofitting the drum brake, a wheel assembly and drum brake cable kit are required selections for a complete assembly.

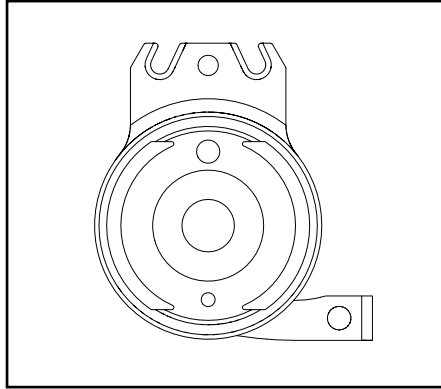
Item Number	Part Number	Description	Quantity
1-8, 14-17, 18a, 19, 21a, 22a	113480	Drum Brake, 12" Mag, Pneumatic Tire, Retrofit Kit, Arc	1
1-8, 14-17, 18a, 19, 21a, 22b	113481	Drum Brake, 12" Mag, Full Poly Tire, Retrofit Kit, Arc	1
1-8, 14-17, 18b, 19-21a, 22c	113482	Drum Brake, 16" Mag, Pneumatic Tire, Retrofit Kit, Arc	1

Item Number	Part Number	Description	Quantity
1-8, 14-17, 18b, 19-21a, 22d	113483	Drum Brake, 16" Mag, Pneumatic w/ Airless Insert Tire, Retrofit Kit, Arc	1
1-8, 14-17, 18b, 19-21a, 22e	113484	Drum Brake, 16" Mag, Full Poly Tire, Retrofit Kit, Arc	1
1-8, 14-17, 18c, 19, 21b, 24	113485	Drum Brake, 20" MAXX Spoke, Retrofit Kit, Arc <i>Doesn't Include Handrim</i>	1
1-8, 15-17, 18a, 19a, 19b, 20, 21a	113486	Drum Brake Rotor Kit with Axle Plate and Hardware, Mag Wheels, PAIR, Arc	1
1-8, 15-17, 18a, 19a, 20, 21a	113487	Drum Brake Rotor Kit with Axle Plate and Hardware, Mag Wheels, Side B, Arc	1
1-8, 15-17, 18a, 19b, 20, 21a	113488	Drum Brake Rotor Kit with Axle Plate and Hardware, Mag Wheels, Side A, Arc	1
1-8, 15-17, 18b, 19a, 19b, 20, 21b	113489	Drum Brake Rotor Kit with Axle Plate and Hardware, 20" MAXX Spoke, PAIR, Arc	1
1-8, 15-17, 18b, 19a, 20, 21b	113490	Drum Brake Rotor Kit with Axle Plate and Hardware, 20" MAXX Spoke, Side B, Arc	1
1-8, 15-17, 18b, 19b, 20, 21b	113491	Drum Brake Rotor Kit with Axle Plate and Hardware, 20" MAXX Spoke, Side A, Arc	1
2-5, 15-17, 18a, 20, 21a	113492	Hardware Kit for Drum Brake Rotor, Mag Wheels, One Side	1
2-5, 15-17, 18b, 20, 21b	113493	Hardware Kit for Drum Brake Rotor, 20" MAXX Spoke, One Side	1
9, 11, 12, 20, 23e	113494	Drum Brake X-Short Cable Kit with Brake Lever, Stroller Handle Backrest, Arc	2
9, 11, 12, 20, 23a	113495	Drum Brake Short Cable Kit with Brake Lever, Stroller Handle Backrest, Arc	2
9, 11, 12, 20, 23b	113496	Drum Brake Medium Cable Kit with Brake Lever, Stroller Handle Backrest, Arc	2
9, 11, 13, 20, 23a	113497	Drum Brake Short Cable Kit with Brake Lever, Fixed Height w/ Adjustable Handle Backrest, Arc	2
9, 11, 13, 20, 23b	113498	Drum Brake Medium Cable Kit with Brake Lever, Fixed Height w/ Adjustable Handle Backrest, Arc	2
9, 11, 13, 20, 23c	113499	Drum Brake Long Cable Kit with Brake Lever, Fixed Height w/ Adjustable Handle Backrest, Arc	2
9, 10, 11, 13, 20, 23a	113500	Drum Brake Short Cable Kit with Brake Lever, Adjustable Height w/ Adjustable Handle Backrest, Arc	2
9, 10, 11, 13, 20, 23b	113501	Drum Brake Medium Cable Kit with Brake Lever, Adjustable Height w/ Adjustable Handle Backrest, Arc	2
9, 10, 11, 13, 20, 23c	113502	Drum Brake Long Cable Kit with Brake Lever, Adjustable Height w/ Adjustable Handle Backrest, Arc	2
9, 10, 11, 13, 20, 23d	113503	Drum Brake X-Long Cable Kit with Brake Lever, Adjustable Height w/ Adjustable Handle Backrest, Arc	2

Item Number	Part Number	Description	Quantity
6	100670	M6 x 45 BTN SHCS BLK ZC	2
7	100658	M6 Nylock Nut Blk Zn	2
8	100746	M6 Flat Washer Blk Zn	2
9	001117	Cable Clip 1"	2
10	001118	Cable Clip 7/8"	1
11	001239	P-Clip 3/16"	1
14	110189	Anti-Tip Receiver	1
19a	111640	Drum Brake Rotor, Side B	1
19b	111641	Drum Brake Rotor, Side A	1
20	111598	Pinch Bolt	1
21a	101108	Axle Quick Release w/ Button 1/2" x 99MM <i>Used with 12" and 16" wheel</i>	1
21b	101191	Axle Quick Release w/ Button 1/2" x 110MM <i>Used with 20" spoke wheel</i>	1
22a	111804	12" Mag Wheel with Pneumatic Tire, Drum Brake Hub	1
22b	111805	12" Mag Wheel with Full Poly Tire, Drum Brake Hub	1
15, 19-21, 22c	002678	Drum Brake Kit, 16" Mag, Pneumatic Tire PAIR	1
15, 19-21, 22d	002679	Drum Brake Kit, 16" Mag, Pneumatic Tire w/ Airless Insert PAIR	1
15, 19-21, 22e	002680	Drum Brake Kit, 16" Mag, Full Poly Tire PAIR	1
20, 23a	122726	Drum Brake / Hemi Wheel Lock Short Cable	1
20, 23b	122727	Drum Brake / Hemi Wheel Lock Medium Cable	1
20, 23c	122728	Drum Brake / Hemi Wheel Lock Long Cable	1
20, 23d	122729	Drum Brake / Hemi Wheel Lock XL Cable	1
20, 23e	122730	Cable, Drum Brake, XXL	1
24	111731	Wheel 20" MAXX Spoke, Drum Brake	1
25	116374	Spacer, .50 OD X .25 ID X .50 LG <i>Only Used in Combination with Dual Drum Brake with Push or Pull to Lock Wheel Locks</i>	2
26	100797	M6 x 40 BHCS BLK ZC <i>Only Used in Combination with Dual Drum Brake with Push or Pull to Lock Wheel Locks</i>	2



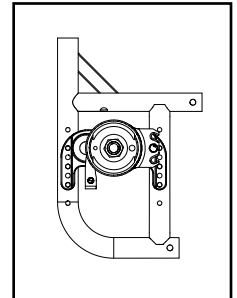
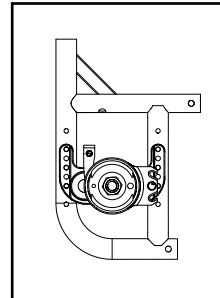
Rotor A - Part No. 111641



Rotor B - Part No. 111640

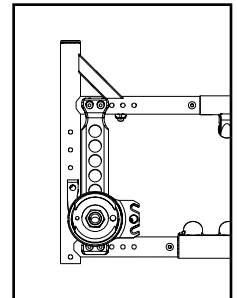
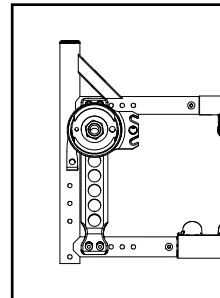
Catalyst 5		
Configuration	Left	Right
Axle plate curve up	B	A
Axle plate curve down	A	B

Left: Axle Plate Curve Up
Right: Axle Plate Curve Down

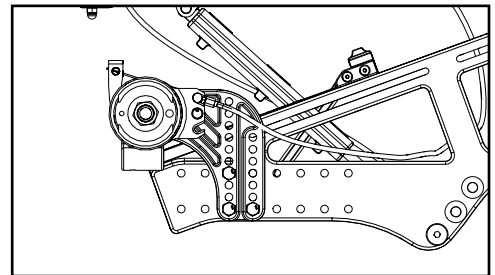


Catalyst 5VX		
Configuration	Left	Right
Axle Position holes 1-5 (top)	A	B
Axle Position holes 6-7 (bottom)	B	A

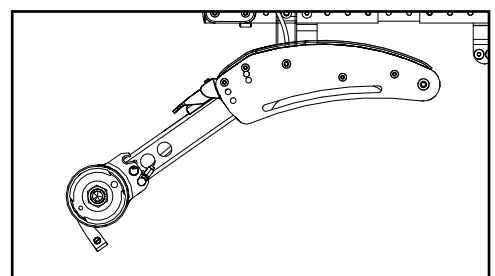
Left: Axle Position Top
Right: Axle Position Bottom



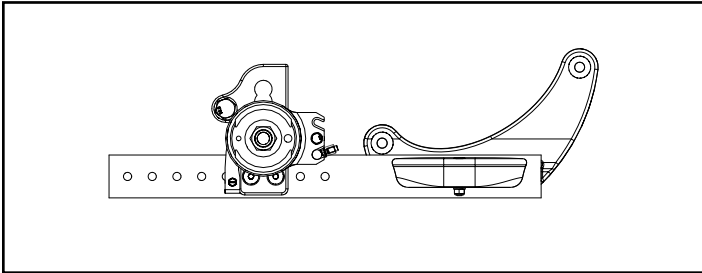
Liberty		
Configuration	Left	Right
All	B	A



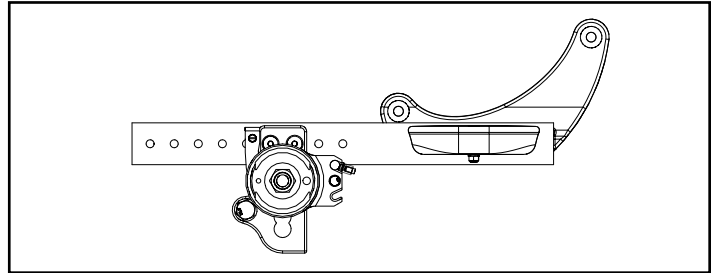
Flip		
Configuration	Left	Right
All	A	B



Focus		
Configuration	Left	Right
Standard (mounts above base frame)	A	B
Inverted (mounts below base frame)	B	A

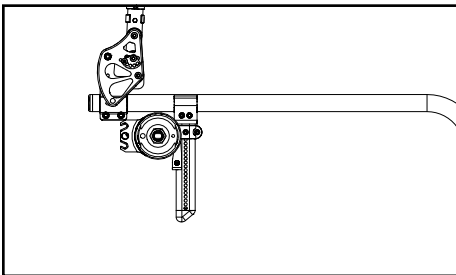


Standard Configuration

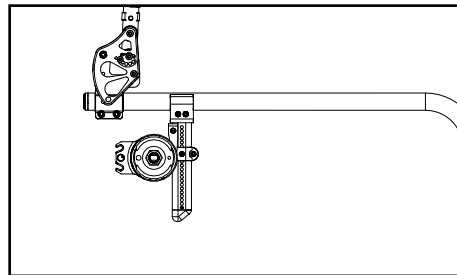


Inverted Configuration

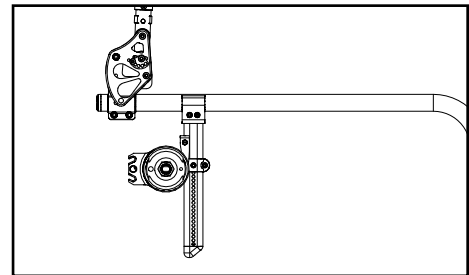
Rigid		
Configuration	Left	Right
Tower 000925 - upper holes (14 or more exposed below clamp)	B	A
Tower 000925 - lower holes (13 or fewer holes exposed below clamp)	A	B
Tower 000926 (all hole locations)	A	B



Tower 000925 - Upper Holes



Tower 000925 - Lower Holes



Tower 000926 - All Holes

Arc		
Configuration	Left	Right
All	B	A

