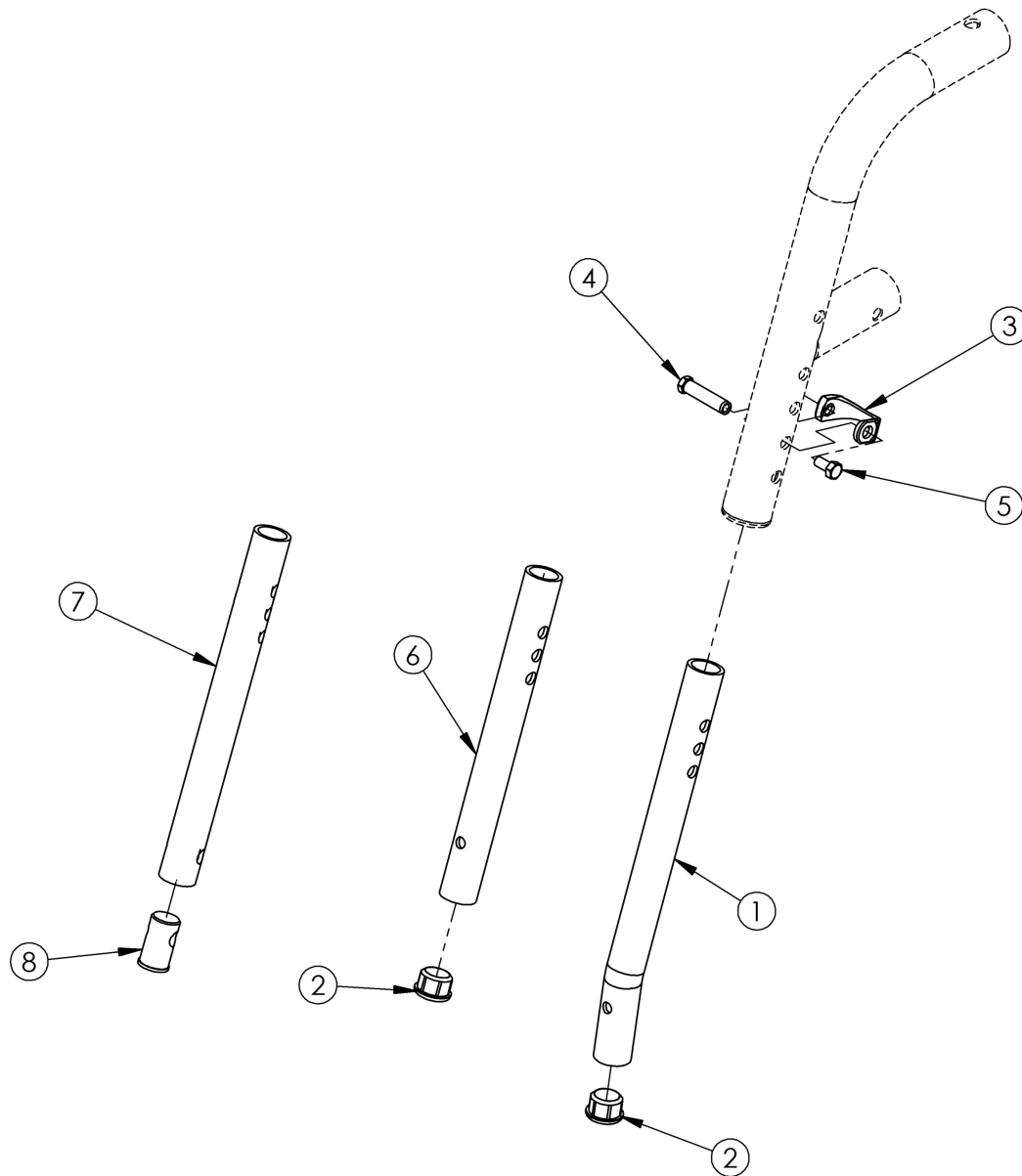


# Hanger Extension Tubes



Composite Angle Adjustable Extension Tube Height

Part No.	Length
003111	9.1"
003112	11.2"
003113	13.6"

Straight Extension Tube Height

Part No.	Length
000340	8.5"
000341	10.7"
000342	13.0"

Bent Extension Tube Height

Part No.	Length
000039	8.5"
000040	10.6"
000041	13.0"

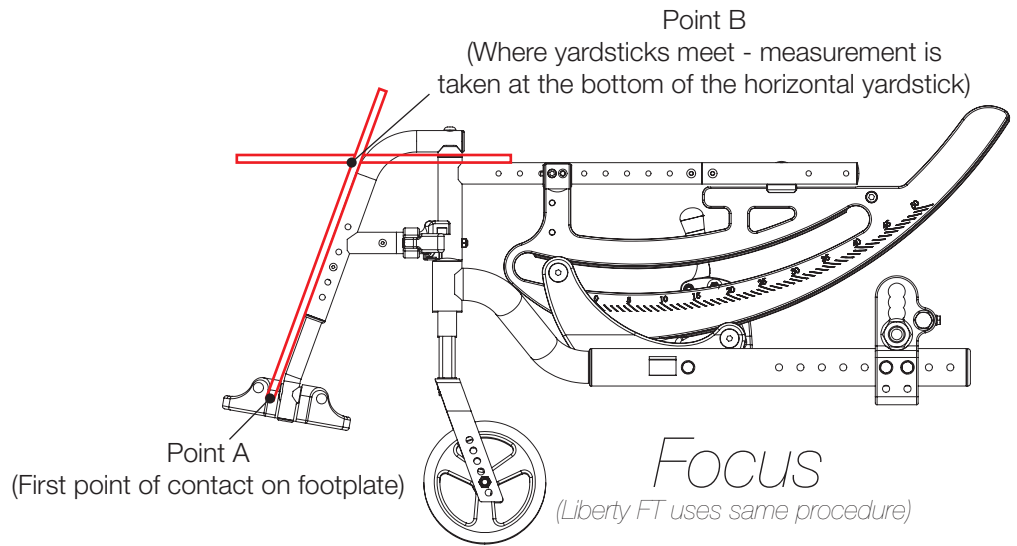
If hangers are being quoted/ordered in addition to extension tubes, fasteners (#3, #4, #5) are already included with the full hanger assemblies (Reference the 60,70,80,90 degree hanger pages).

Item Number	Part Number	Description	Quantity
6a	000340	Hanger Extension Tube Straight Short <i>Use with 80° extension tube hangers or 80° fixed front frames with Composite footplates or Aluminum Angle Adjustable footplates.</i>	1
6b	000341	Hanger Extension Tube Straight Medium <i>Use with 80° extension tube hangers or 80° fixed front frames with Composite footplates or Aluminum Angle Adjustable footplates.</i>	1
6c	000342	Hanger Extension Tube Straight Long <i>Use with 80° extension tube hangers or 80° fixed front frames with Composite footplates or Aluminum Angle Adjustable footplates.</i>	1
6a, 2	502220	Short Hanger Extension Tube Straight w/ Plug	1
6b, 2	502221	Medium Hanger Extension Tube Straight w/ Plug	1
6c, 2	502222	Long Hanger Extension Tube Straight w/ Plug	1
6a, 2 - 5	502226	Short Hanger Extension Tube Straight w/ Plug and Fasteners	1
6b, 2 - 5	502227	Medium Hanger Extension Tube Straight w/ Plug and Fasteners	1
6c, 2 - 5	502228	Long Hanger Extension Tube Straight w/ Plug and Fasteners	1
1a	000039	Hanger Extension Tube Bent Short <i>Use with 60° or 70° extension tube hangers or 70° fixed front frames with Composite footplates or Aluminum Angle Adjustable footplates. Used with the one piece flip up footplate.</i>	1
1b	000040	Hanger Extension Tube Bent Medium <i>Use with 60° or 70° extension tube hangers or 70° fixed front frames with Composite footplates or Aluminum Angle Adjustable footplates. Used with the one piece flip up footplate.</i>	1
1c	000041	Hanger Extension Tube Bent Long <i>Use with 60° or 70° extension tube hangers or 70° fixed front frames with Composite footplates or Aluminum Angle Adjustable footplates. Used with the one piece flip up footplate.</i>	1
1a, 2	502217	Short Hanger Extension Tube Bent w/ Plug	1
1b, 2	502218	Medium Hanger Extension Tube Bent w/ Plug	1
1c, 2	502219	Long Hanger Extension Tube Bent w/ Plug	1
1a, 2 - 5	502223	Short Hanger Extension Tube Bent w/ Plug and Fasteners	1
1b, 2 - 5	502224	Medium Hanger Extension Tube Bent w/ Plug and Fasteners	1

Item Number	Part Number	Description	Quantity
1c, 2 - 5	502225	Long Hanger Extension Tube Bent w/ Plug and Fasteners	1
7a	003111	Hanger Extension Tube Composite Angle Adjustable Short <i>Use with Composite Angle Adjustable footplates.</i>	1
7b	003112	Hanger Extension Tube Composite Angle Adjustable Medium <i>Use with Composite Angle Adjustable footplates.</i>	1
7c	003113	Hanger Extension Tube Composite Angle Adjustable Long <i>Use with Composite Angle Adjustable footplates.</i>	1
7a, 8	503031	Short Composite Angle Adjustable Extension Tube w/ Plug	1
7b, 8	503032	Medium Composite Angle Adjustable Extension Tube w/ Plug	1
7c, 8	503033	Long Composite Angle Adjustable Extension Tube w/ Plug	1
7a, 3-5, 8	503034	Short Composite Angle Adjustable Extension Tube w/ Plug and Fasteners	1
7b, 3-5, 8	503035	Medium Composite Angle Adjustable Extension Tube w/ Plug and Fasteners	1
7c, 3-5, 8	503036	Long Composite Angle Adjustable Extension Tube w/ Plug and Fasteners	1
2	100638	Tube End Plug 3/4"	1
3	000988	Fastener Retainer	1
4	000987	Threaded Fastener	1
5	200427	M5 x 10 CLS8.8 HHCS ZC w/Patch DIN933	1
8	003161	Footplate Plug for Composite Angle Adjustable Footplate Extension Tube	1

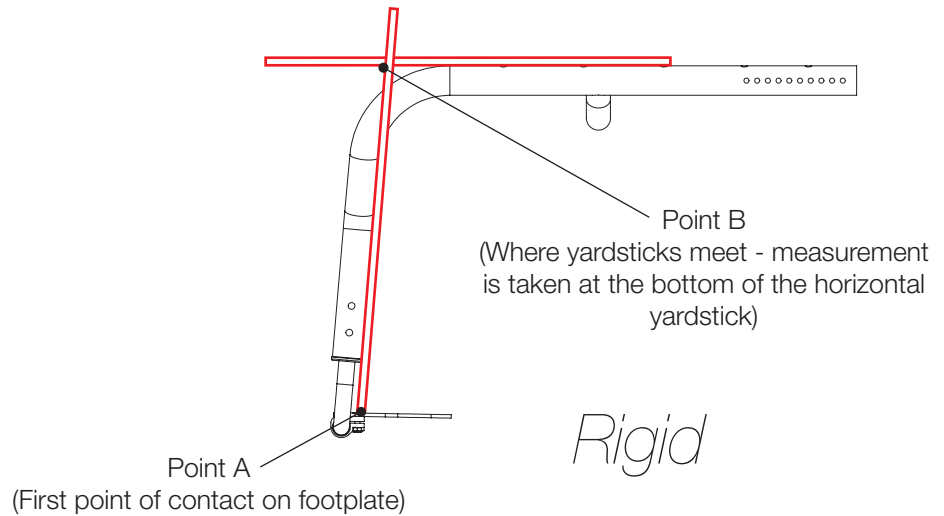
Distance between Point A and Point B = Footplate Length

**NOTE:** The yardstick on the top plane of the seat frame must lie flat against frame. The yardstick going from the footplate to the second yardstick must be square against the hanger tube.



Distance between Point A and Point B = Footplate Length

**NOTE:** The yardstick on the top plane of the seat frame must lie flat against frame. The yardstick going from the footplate to the second yardstick must be square against the front tube.



Distance between Point A and Point B = Footplate Length

**NOTE:** The yardstick on the top plane of the hanger must lie flat against hanger. The yardstick going from the footplate to the second yardstick must be square against the hanger tube.

