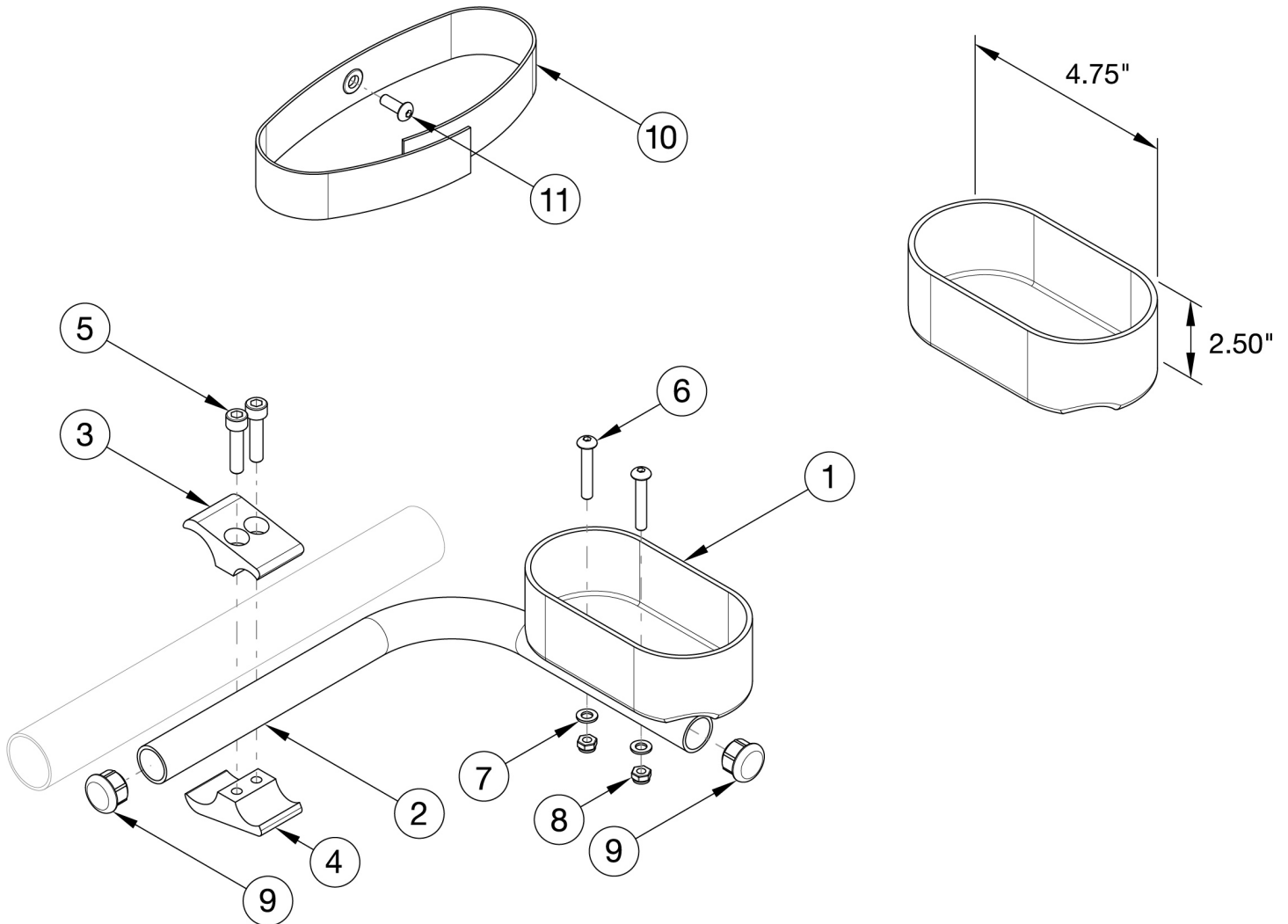


# Rigid Cane and Crutch Holder



Item Number	Part Number	Description	Quantity
1 - 11	501021	Crutch Holder Assembly, Camber Tube Mount, Rigid	1
1	000917	Crutch Holder Cup	1
2	200550	Crutch Holder Tube Rigid	1
3	000378	Clamp Top 1.125"	1
4	000379	Clamp Bottom 1.125"	1
5	100780	M6 x 25 SHCS ZC	2
6	101560	M5 x 30 BTN SHCS ZC	2
7	101856	Flat Washer, M5, Blk Zn	2
8	100657	M5 Nylock Nut Blk Zn	2

<b>Item Number</b>	<b>Part Number</b>	<b>Description</b>	<b>Quantity</b>
9	100638	Tube End Plug 3/4"	2
10	101107	Crutch Holder Velcro Strap	1
11	100734	M5 x 16 PHMS ZC	1