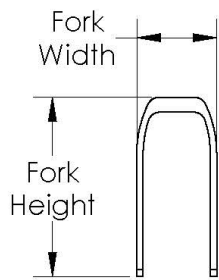
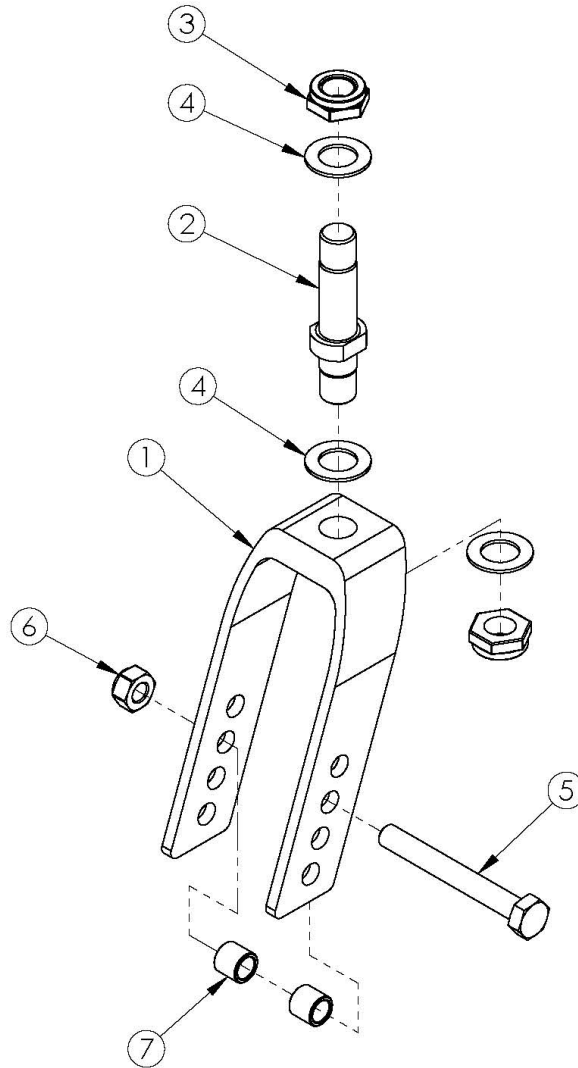


Flip for Leckey Forks and Stems



Fork	Height	Width
6" Std	5.7"	2.1"
6" Wide	5.8"	2.9"
7" Std	7.0"	2.1"



If changing to 2" caster, wide forks and hardware needed.

Item Number	Part Number	Description	Quantity
1a, 2a-4	502803	Fork Assembly 6" FLIP	1
1b, 2a-4	502804	Fork Assembly 6" Wide FLIP <i>Only used with 2" wide casters</i>	1
1c, 2a-4	502805	Fork Assembly 7" FLIP	1
5a, 6, 7a	502653	Caster Attachment Hardware Kit CAT/FCS	1
5b, 6, 7b	502654	Caster Attachment Hardware Kit for 6" and 7" Wide Fork, CAT/FCS <i>Only used with 2" wide casters</i>	1
1a	501210	Caster Fork 6" Flip	1
1b	501211	Caster Fork 6" Wide Flip <i>Only used with 2" wide casters</i>	1
1c	501212	Caster Fork 7" Flip	1
2.0	501208	Caster Stem, Ped Tilt	1
3	100529	M12 x 1.25mm Lock Nut Black	2
4	100682	Washer 1/2" .518 x .875 x .047 F/W Black Zinc	3
5a	101829	M8 x 65 HHCS Blk Zn	1
5b	101831	M8 x 80 HHCS Blk Zn <i>Only used with 2" wide casters</i>	1
6	100659	M8 Nylock Nut Blk Zn	1
7a	100792	Caster Spacer D8 x D12 x 10mm / Close Mount Handrim Spacer <i>Used with all casters except 6x2</i>	2
7b	001246	Caster Spacer Black 6 x 2 Poly .472ODX.319IDX.370LG <i>Only used with 6" x 2" casters</i>	2