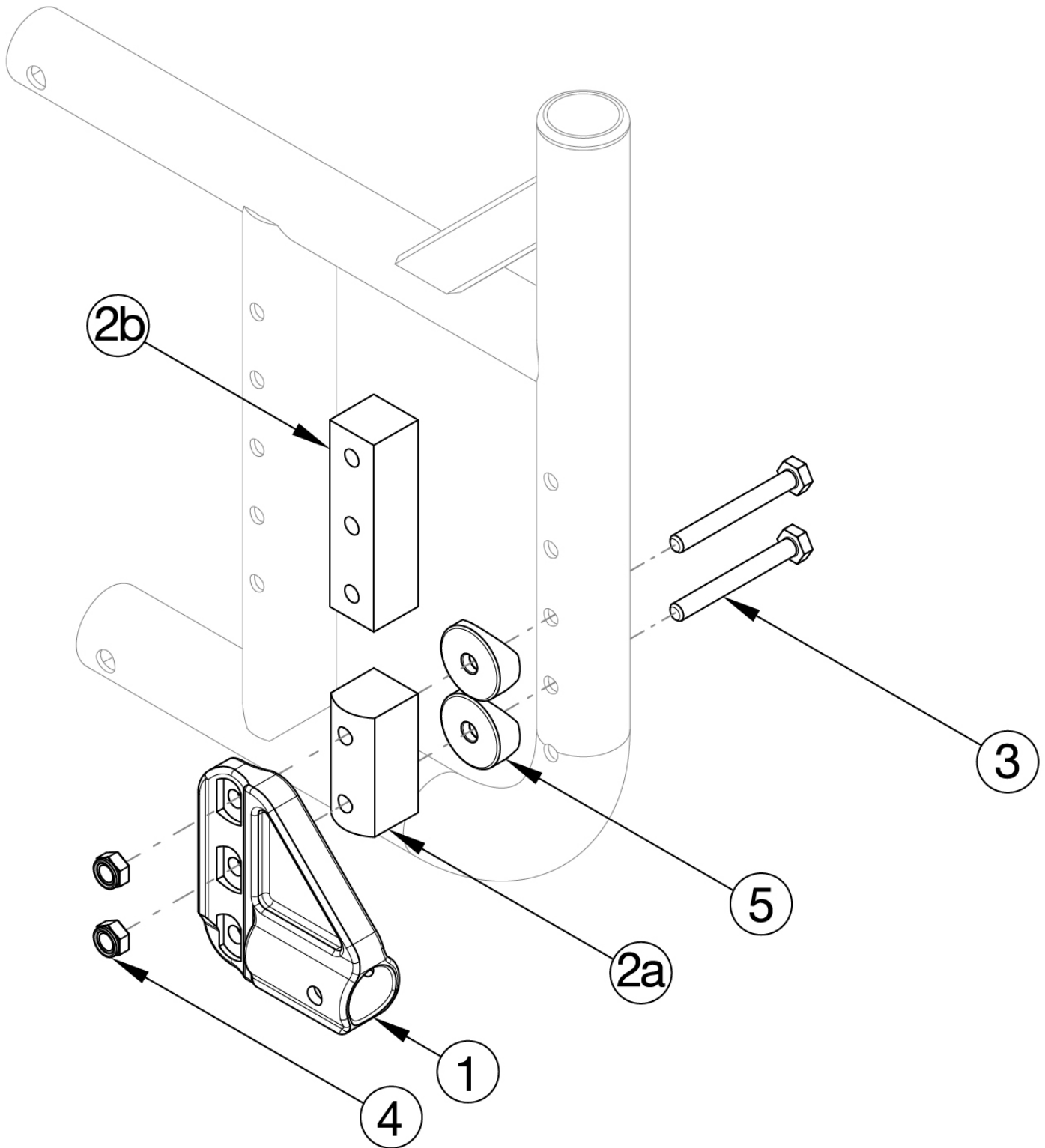


Catalyst 5 Anti-Tip Receiver



For other hardware options, please reference the Catalyst 5 Axle Plate pages. If retrofitting to universal axle plates and the chair was invoiced prior to November 14, 2018, new anti-tip receivers are required. If retrofitting to a Reclining Rear Frame, Amputee Anti-Tip Spacers and Saddles are required. Please see the Catalyst 5 Swing-In Anti-Tip page for Swing-In Anti-Tip replacements

Item Number	Part Number	Description	Quantity
1, 3a, 4	123854	Anti Tip Hardware with Universal Axle Plate	1
1, 2a, 3b, 4, 5a	123855	Anti Tip Hardware with Amputee Axle Plate, Standard Rear Frame, No Transit	1
1, 2a, 3b, 4, 5b	123856	Anti Tip Hardware with Amputee Axle Plate, Depth Adjustable / Reclining Rear Frame, No Transit	1
1, 2b, 3b, 4, 5a	123857	Anti Tip Hardware with Amputee Axle Plate, Standard Rear Frame, with Transit	1
1, 2b, 3b, 4, 5b	123858	Anti Tip Hardware with Amputee Axle Plate, Depth Adjustable / Reclining Rear Frame, with Transit	1
1	004539	Anti Tip Receiver, Catalyst <i>Used with Universal Axle Plate or if chair has an invoice date after November 13, 2018. Replacement for 000046</i>	1
2a	002329	Amputee Anti-Tip Spacer CAT <i>Used when Transit not present and Anti-Tips are present with Amputee Axle Plate</i>	1
2b	003341	Amputee Anti-Tip Spacer w/ Transit CAT <i>Used when Transit and Anti-Tips are present with Amputee Axle Plate</i>	1
3a	101826	M6 x 50 HHCS Blk Zn <i>Used when Amputee Anti-Tip Spacers are not present</i>	2
3b	100544	M6 x 75 CLS 8.8 DIN931 HHCS ZC <i>Used with Amputee Anti-Tip Spacers</i>	2
4	100658	M6 Nylock Nut Blk Zn	2
5a	000056	Saddle 1 1/8" <i>Used with Amputee Anti-Tip Spacers and Standard Rear Frame</i>	3
5b	000055	Saddle 1" <i>Used with Amputee Anti-Tip Spacers and Depth Adjustable or Reclining Rear Frame</i>	3