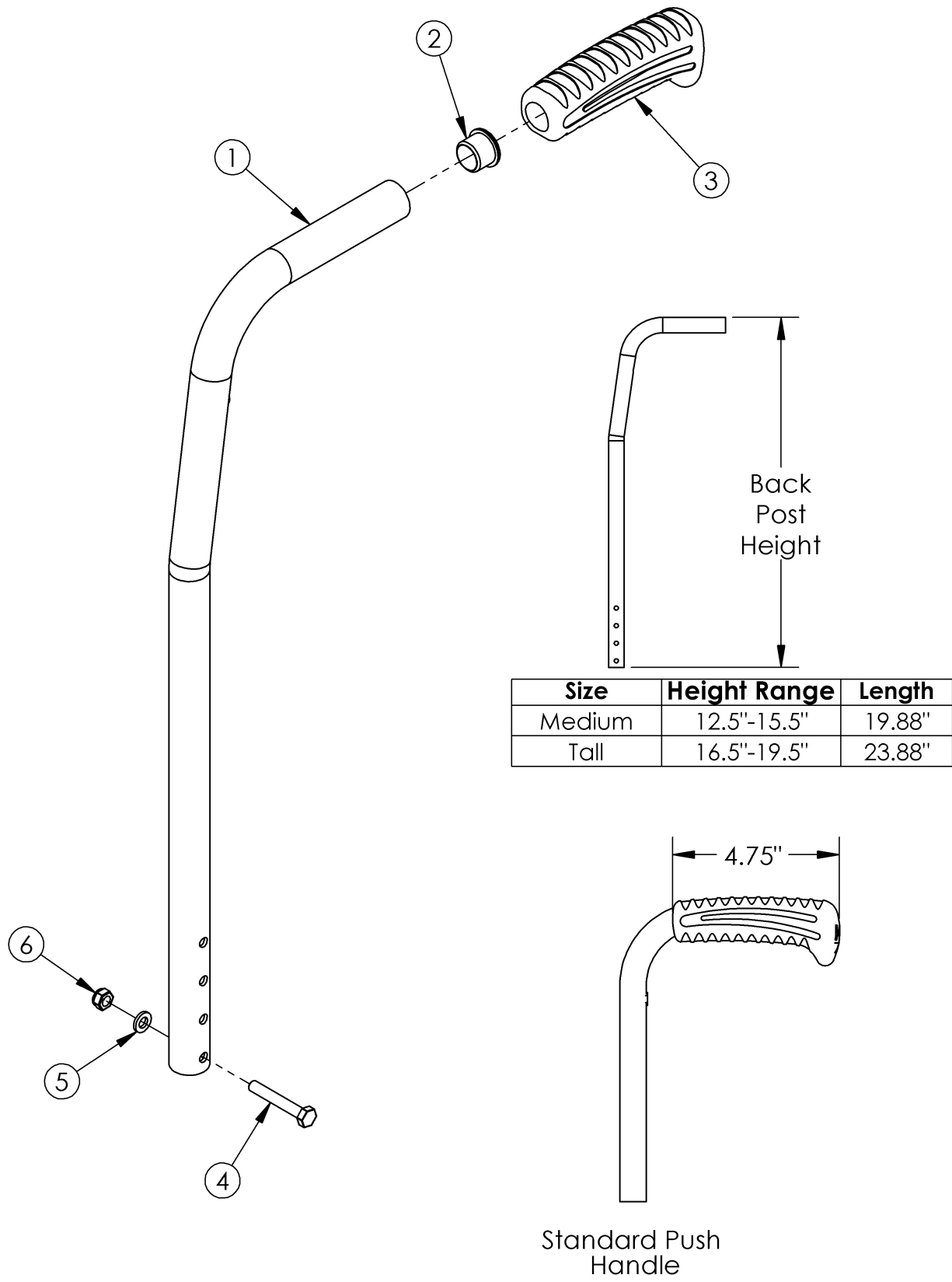


Catalyst 4 Standard Back Post (8° Bend with Push Handle)



If IV pole present see Straight backrest with push handle

Item Number	Part Number	Description	Quantity
1a, 2, 3	100721	Back Post Assembly Medium 8° Bend with Standard Push Handle	1
1b, 2, 3	500550	Back Post Assembly Tall 8° Bend with Standard Push Handle	1
2	100803	Tube End Plug 7/8"	1
3	109433	Ergo Push Handle Grip 7/8" Standard with Instruction	1
4	100681	M6 x 40 CLS8.8 DIN931 HHCS ZC	1
5	101835	M6 Lock Washer Blk Zn	1
6	100658	M6 Nylock Nut Blk Zn	1