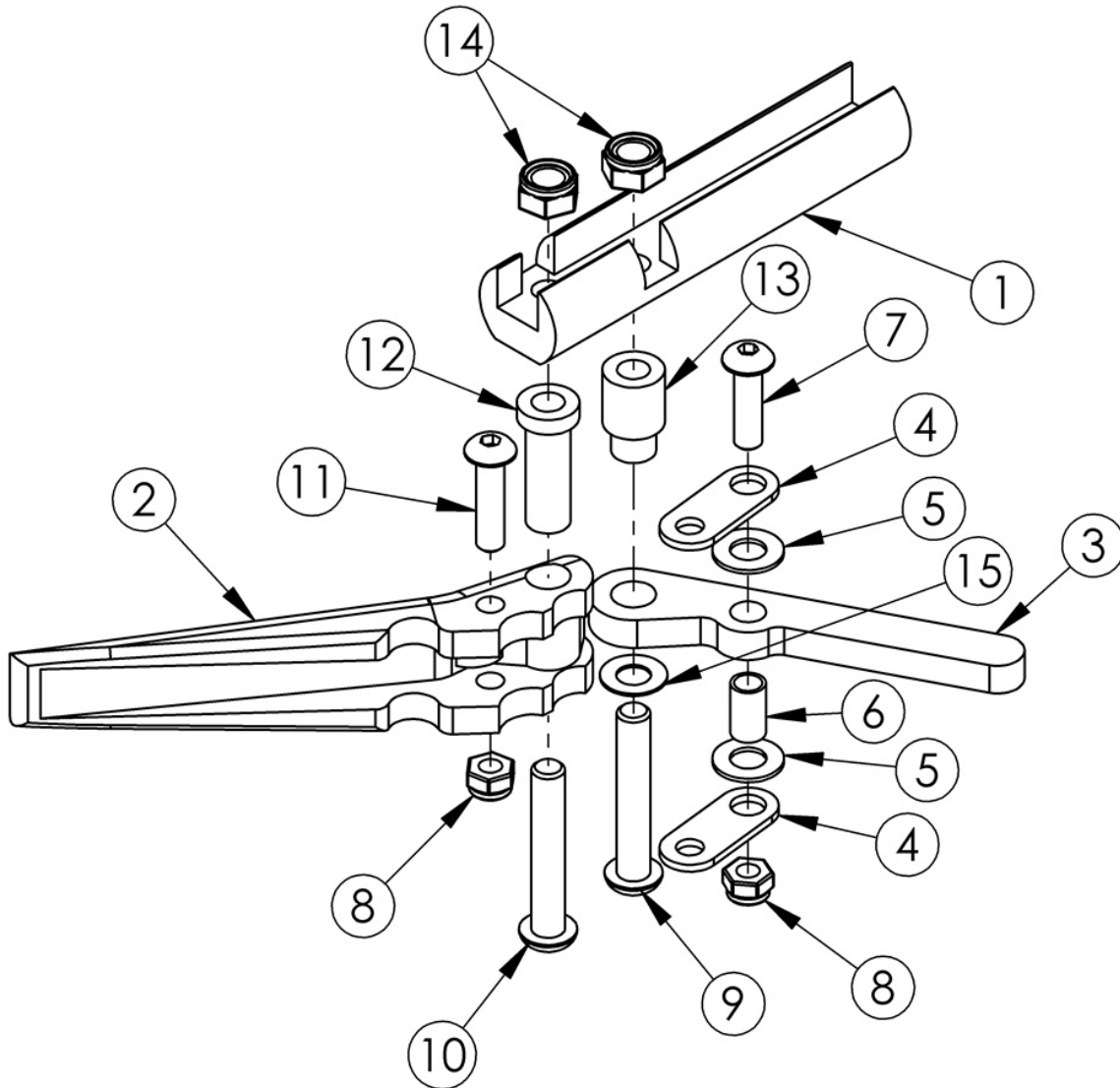


(Discontinued) Short Thro Scissor Wheel Lock



| Item Number | Part Number | Description | Quantity |
|----------------|-------------|--|----------|
| 1a, 2 - 15 | 506657 | Short Thro Scissor Wheel Lock Assembly with Instruction, Left <i>This kit contains 102544 wheel lock along with an instruction for reversing the wheel lock.</i> | 1 |
| 1b, 2 - 15 | 506658 | Short Thro Scissor Wheel Lock Assembly with Instruction, Right <i>This kit contains 102546 wheel lock along with an instruction for reversing the wheel lock.</i> | 1 |
| 1a, 1b, 2 - 15 | 500993 | Wheel Lock Short Thro Scissor Assembly with Instruction, PAIR | 1 |

| Item Number | Part Number | Description | Quantity |
|-------------|-------------|---------------------------------------|----------|
| 1a | 000364L | Scissor Lock Mount Bar Left | 1 |
| 1b | 000364R | Scissor Lock Mount Bar Right | 1 |
| 2 | 000365 | Scissor Lock Handle | 1 |
| 3 | 000366 | Scissor Lock Brake Arm | 1 |
| 4 | 000367 | Scissor Lock Link | 2 |
| 5 | 000369 | Flat Washer .5 x .257 x .0032 Plastic | 2 |
| 6 | 000368 | Scissor Lock Bushing | 1 |
| 7 | 101716 | M5 x 16 SHCS Blk Zn | 1 |
| 8 | 100657 | M5 Nylock Nut Blk Zn | 2 |
| 9 | 101119 | M6 X 32 BHCS bright | 1 |
| 10 | 100797 | M6 x 40 BHCS BLK ZC | 1 |
| 11 | 101560 | M5 x 30 BTN SHCS ZC | 1 |
| 12 | 000370 | Scissor Lock Pivot Bushing | 1 |
| 13 | 000371 | Scissor Lock Arm Bushing | 1 |
| 14 | 100658 | M6 Nylock Nut Blk Zn | 2 |