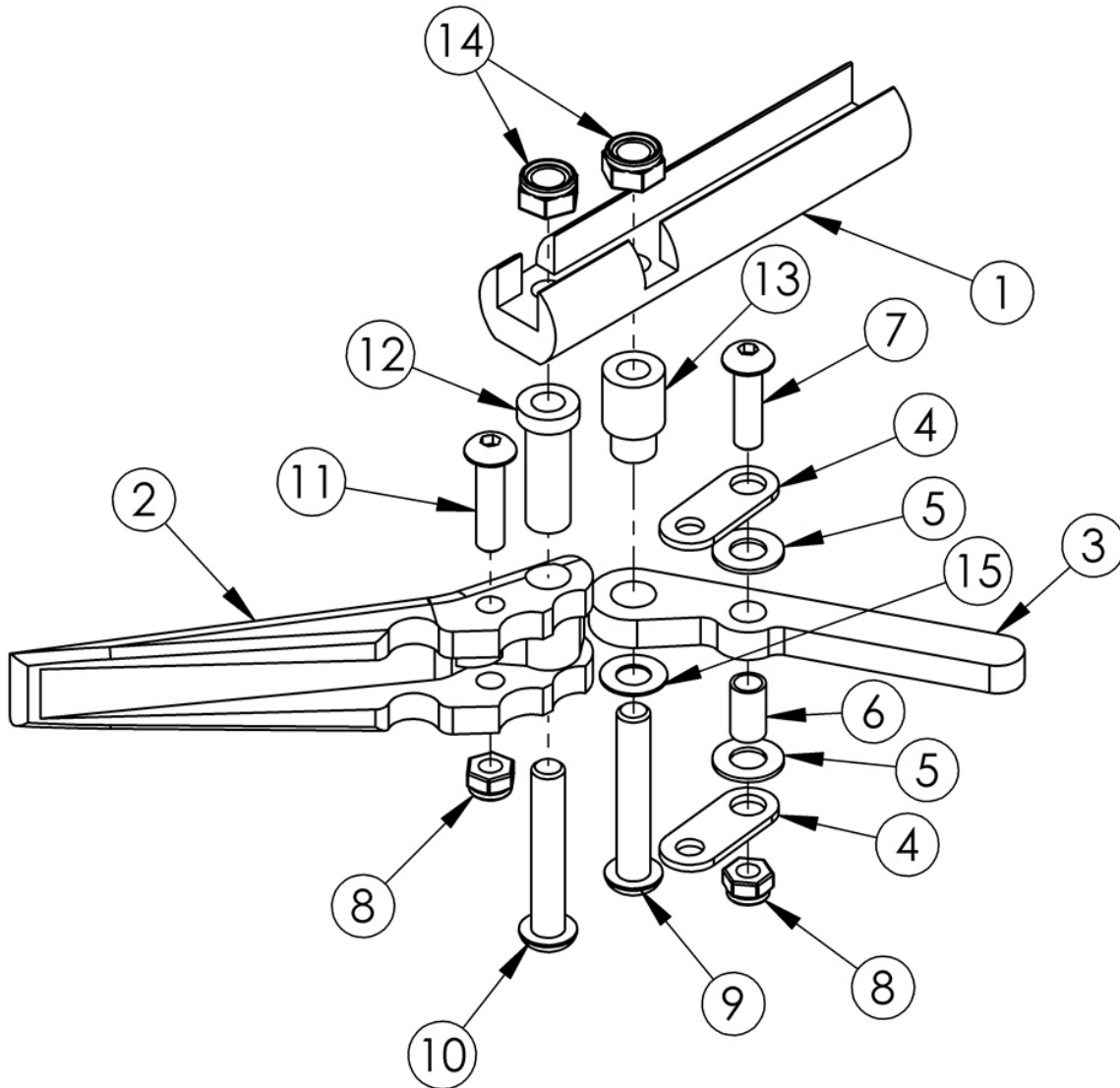


## (Discontinued) Short Thro Scissor Wheel Lock



| Item Number    | Part Number | Description  | Quantity |
|----------------|-------------|--|----------|
| 1a, 2 - 15     | 506657      | Short Thro Scissor Wheel Lock Assembly with Instruction, Left<br><i>This kit contains 102544 wheel lock along with an instruction for reversing the wheel lock.</i>  | 1        |
| 1b, 2 - 15     | 506658      | Short Thro Scissor Wheel Lock Assembly with Instruction, Right<br><i>This kit contains 102546 wheel lock along with an instruction for reversing the wheel lock.</i> | 1        |
| 1a, 1b, 2 - 15 | 500993      | Wheel Lock Short Thro Scissor Assembly with Instruction, PAIR  | 1        |

| Item Number | Part Number | Description                           | Quantity |
|-------------|-------------|---------------------------------------|----------|
| 1a          | 000364L     | Scissor Lock Mount Bar Left           | 1        |
| 1b          | 000364R     | Scissor Lock Mount Bar Right          | 1        |
| 2           | 000365      | Scissor Lock Handle                   | 1        |
| 3           | 000366      | Scissor Lock Brake Arm                | 1        |
| 4           | 000367      | Scissor Lock Link                     | 2        |
| 5           | 000369      | Flat Washer .5 x .257 x .0032 Plastic | 2        |
| 6           | 000368      | Scissor Lock Bushing                  | 1        |
| 7           | 101716      | M5 x 16 SHCS Blk Zn                   | 1        |
| 8           | 100657      | M5 Nylock Nut Blk Zn                  | 2        |
| 9           | 101119      | M6 X 32 BHCS bright                   | 1        |
| 10          | 100797      | M6 x 40 BHCS BLK ZC                   | 1        |
| 11          | 101560      | M5 x 30 BTN SHCS ZC                   | 1        |
| 12          | 000370      | Scissor Lock Pivot Bushing            | 1        |
| 13          | 000371      | Scissor Lock Arm Bushing              | 1        |
| 14          | 100658      | M6 Nylock Nut Blk Zn                  | 2        |
| 15          | 000372      | Scissor Lock Disc Spring              | 1        |