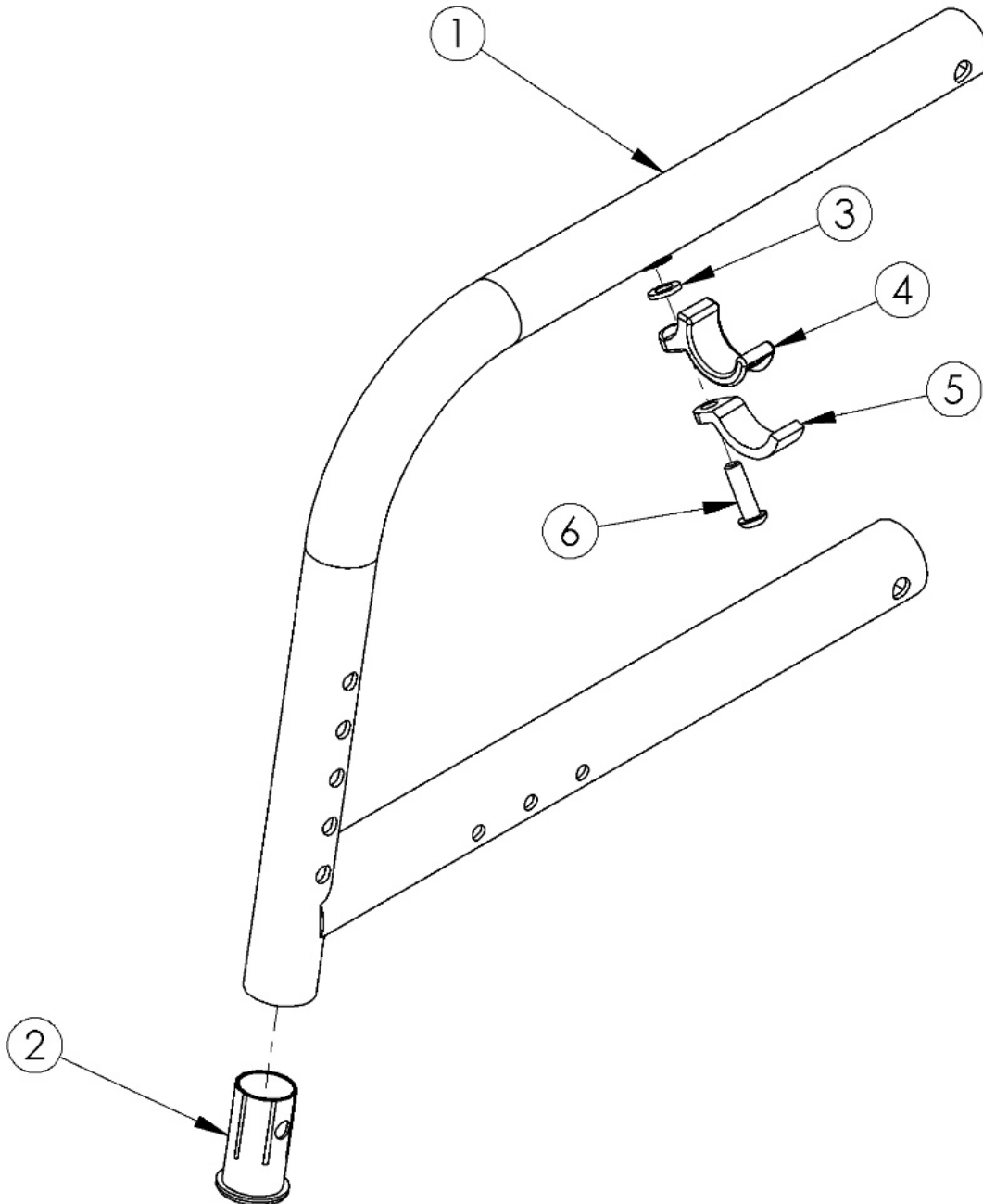


# Catalyst 5Ti 80 Degree Fixed Front Frame



<p>Frame assemblies are based on Seat Depth. If switching to a new Seat Depth, new Height Adjustable T-Arms or Height Adjustable Flip Back T-Arms may be needed. <p>

If chair has Flip Back or the discontinued Height Adjustable Flip Back armrests, select a frame assembly with the Flip Back Arm Modification. This modification does not apply to Height Adjustable Flip Back T-Arms. <p>

If retrofitting from a Swing Away Front Frame, new caster housings and attaching hardware is required.

Item Number	Part Number	Description	Quantity	Retail
3, 4, 5, 6a	501005	Seat Hook and Support Hardware Kit, Standard, Catalyst <i>Used with Standard Weight Capacity. This kit contains quantity of 1 each</i>	1	\$17.40
3, 4, 5, 6b	114528	Seat Hook and Support Hardware Kit, Standard, for Heavy Duty Catalyst <i>Used with Heavy Duty / 350 lbs Weight Capacity. This kit contains quantity of 1 each</i>	1	\$17.93
1a, 2	100414	Frame Assm Cat TI Front Fixed 80 Left 14	1	\$397.14
1b, 2	100415	Frame Assm Cat TI Front Fixed 80 Left 15	1	\$525.17
1c, 2	100416	Frame Assm Cat TI Front Fixed 80 Left 16	1	\$525.17
1d, 2	100417	Frame Assm Cat TI Front Fixed 80 Left 17	1	\$525.17
1e, 2	501647	Frame Assm Cat Ti Front Fixed 80 Left 18	1	\$397.14
1f, 2	501648	Frame Assm Cat Ti Front Fixed 80 Left 19	1	\$433.71
1g, 2	100418	Frame Assm Cat TI Front Fixed 80 Left 20	1	\$525.17
1h, 2	100409	Frame Assm Cat TI Front Fixed 80 Right 14	1	\$397.14
1i, 2	100410	Frame Assm Cat TI Front Fixed 80 Right 15	1	\$525.17
1j, 2	100411	Frame Assm Cat TI Front Fixed 80 Right 16	1	\$525.17
1k, 2	100412	Frame Assm Cat TI Front Fixed 80 Right 17	1	\$525.17
1l, 2	501649	Frame Assm Cat Ti Front Fixed 80 Right 18	1	\$397.14
1m, 2	501650	Frame Assm Cat Ti Front Fixed 80 Right 19	1	\$433.71
1n, 2	100413	Frame Assm Cat TI Front Fixed 80 Right 20	1	\$445.93
1c, 2	114386	Frame Assm Cat TI Front with Flip Back Arm Modification Fixed 80 Left 16	1	\$525.17
1d, 2	114387	Frame Assm Cat TI Front with Flip Back Arm Modification Fixed 80 Left 17	1	\$525.17
1e, 2	114397	Frame Assm Cat Ti Front with Flip Back Arm Modification Fixed 80 Left 18	1	\$397.14
1f, 2	114398	Frame Assm Cat Ti Front with Flip Back Arm Modification Fixed 80 Left 19	1	\$433.71
1g, 2	114388	Frame Assm Cat TI Front with Flip Back Arm Modification Fixed 80 Left 20	1	\$525.17
1j, 2	114381	Frame Assm Cat TI Front with Flip Back Arm Modification Fixed 80 Right 16	1	\$525.17
1k, 2	114382	Frame Assm Cat TI Front with Flip Back Arm Modification Fixed 80 Right 17	1	\$525.17
1l, 2	114399	Frame Assm Cat Ti Front with Flip Back Arm Modification Fixed 80 Right 18	1	\$397.14
1m, 2	114400	Frame Assm Cat Ti Front with Flip Back Arm Modification Fixed 80 Right 19	1	\$433.71

Item Number	Part Number	Description	Quantity	Retail
1n, 2	114383	Frame Assm Cat TI Front with Flip Back Arm Modification Fixed 80 Right 20	1	\$445.93
2	000034	Sleeve 3/4" x 1 1/2"	1	\$3.66
3	100831	1/2" Washer OD .040" Thick	1	\$1.58
4	000003	Seat Hook, Catalyst	1	\$7.70
5	000004	Seat Hook Support, Catalyst	1	\$6.55
6a	100668	M6 x 20 CLS10.9 BTN SHCS ZC w/Patch <i>Used with Standard Weight Capacity</i>	1	\$1.58
6b	101180	M6 x 20 SHCS BLK ZC <i>Used with Heavy Duty / 350 lbs Weight Capacity</i>	1	\$2.10