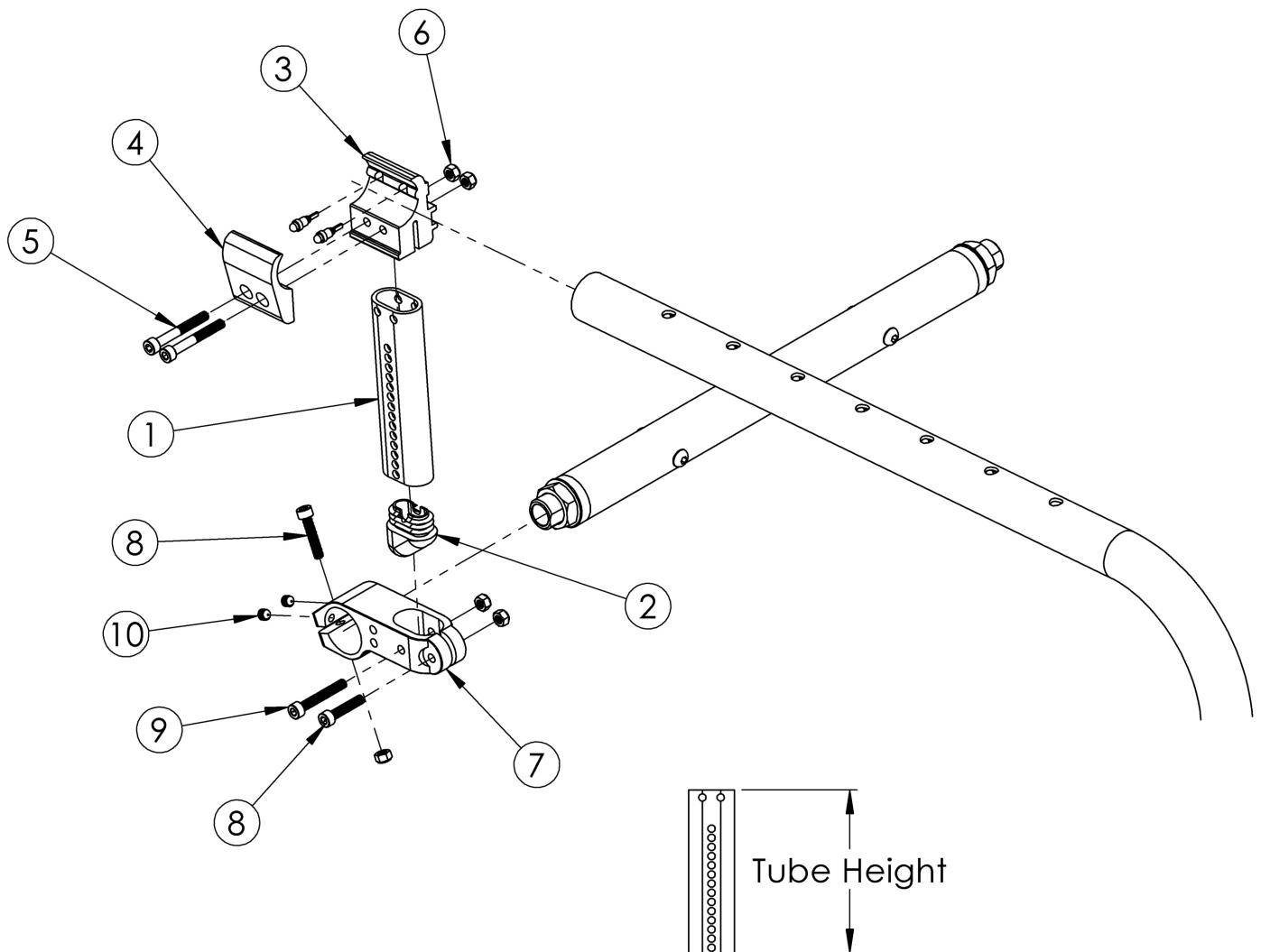


Clik Camber Mount Towers



| Part No. | Height |
|----------|--------|
| 000923 | 2.45" |
| 000924 | 4.45" |
| 000925 | 6.45" |
| 000926 | 8.95" |

Please see Drive Shaft Guide on Clik One Arm Drive Quick Release page to determine if standard clamps (part 111822) or outboard clamps (part 003366) are needed. Outboard clamps are included in all OAD Quick Release Retrofit Kits.

| Item Number | Part Number | Description | Quantity |
|-------------|-------------|--|----------|
| 1a | 000923 | Camber Mount Tower Short Black Anodized Rigid | 1 |
| 1b | 000923_ _ _ | Color Anodized/Color Accent Camber Mount Tower Short Rigid | 1 |
| 1c | 000924 | Camber Mount Tower Medium Black Anodized Rigid | 1 |

| Item Number | Part Number | Description | Quantity |
|----------------|-------------|--|----------|
| 1d | 000924_ _ _ | Color Anodized/Color Accent Camber Mount Tower Medium Rigid | 1 |
| 1e | 000925 | Camber Mount Tower Long Black Anodized Rigid | 1 |
| 1f | 000925_ _ _ | Color Anodized/Color Accent Camber Mount Tower Long Rigid | 1 |
| 1g | 000926 | Camber Mount Tower Extra Long Black Anodized Rigid | 1 |
| 1h | 000926_ _ _ | Color Anodized/Color Accent Camber Mount Tower Extra Long Rigid | 1 |
| 2 | 000920 | Camber Mount Cap Rigid | 1 |
| 3a | 111822 | Tower Clamp Mount, Clik | 1 |
| 3b | 003366 | One Arm Drive Tower Clamp, Outboard Mount, Clik <i>Used with Clik Hex Style One Arm Drive. See Clik Blade Style or Quick Release Style One Arm Drive for configurations where used.</i> | 1 |
| 4a | 001786 | Tower Clamp Black Anodized LW | 1 |
| 3a, 4a, 5a, 6a | 502578 | Camber Tower Clamp Black Anodized w/ Hardware Assembly, One Side CLIK | 1 |
| 4b | 001786_ _ _ | Color Anodized/Color Accent Tower Clamp LW | 1 |
| 3a, 4b, 5a, 6a | 502578_ _ _ | Color Anodized/Color Accent Camber Tower Clamp w/ Hardware Assembly, One Side | 1 |
| 5a | 102619 | M5 X 40 SHCS BLK ZC <i>Used in all configurations unless Quick Release OAD/Hex style OAD is present</i> | 2 |
| 5b | 101734 | M5 x 35 SHCS BLK ZC <i>Used with Quick Release style OAD/Hex Style OAD</i> | 2 |
| 6a | 100657 | M5 Nylock Nut Blk Zn <i>Use quantity 5 per side if One Arm Drive is not present. Use quantity 3 per side if One Arm Drive is present.</i> | 5 |
| 6b | 103056 | M5 Cap Nut Black Zinc <i>Use quantity 2 per side for the tower clamp mount if One Arm Drive is present</i> | 2 |
| 7 | 001347 | Camber Tower Mounting Clamp Rigid | 1 |
| 8 | 101717 | M5 x 25 SHCS BLK ZC | 2 |
| 9 | 101734 | M5 x 35 SHCS BLK ZC | 1 |
| 10 | 105015 | M5 X 6 DIN914 SSS CONE PT PLN | 2 |
| 7-10 | 502579 | Camber Tube Mount w/ Hardware Assembly, One Side CLIK | 1 |

Color Anodizing Samples

