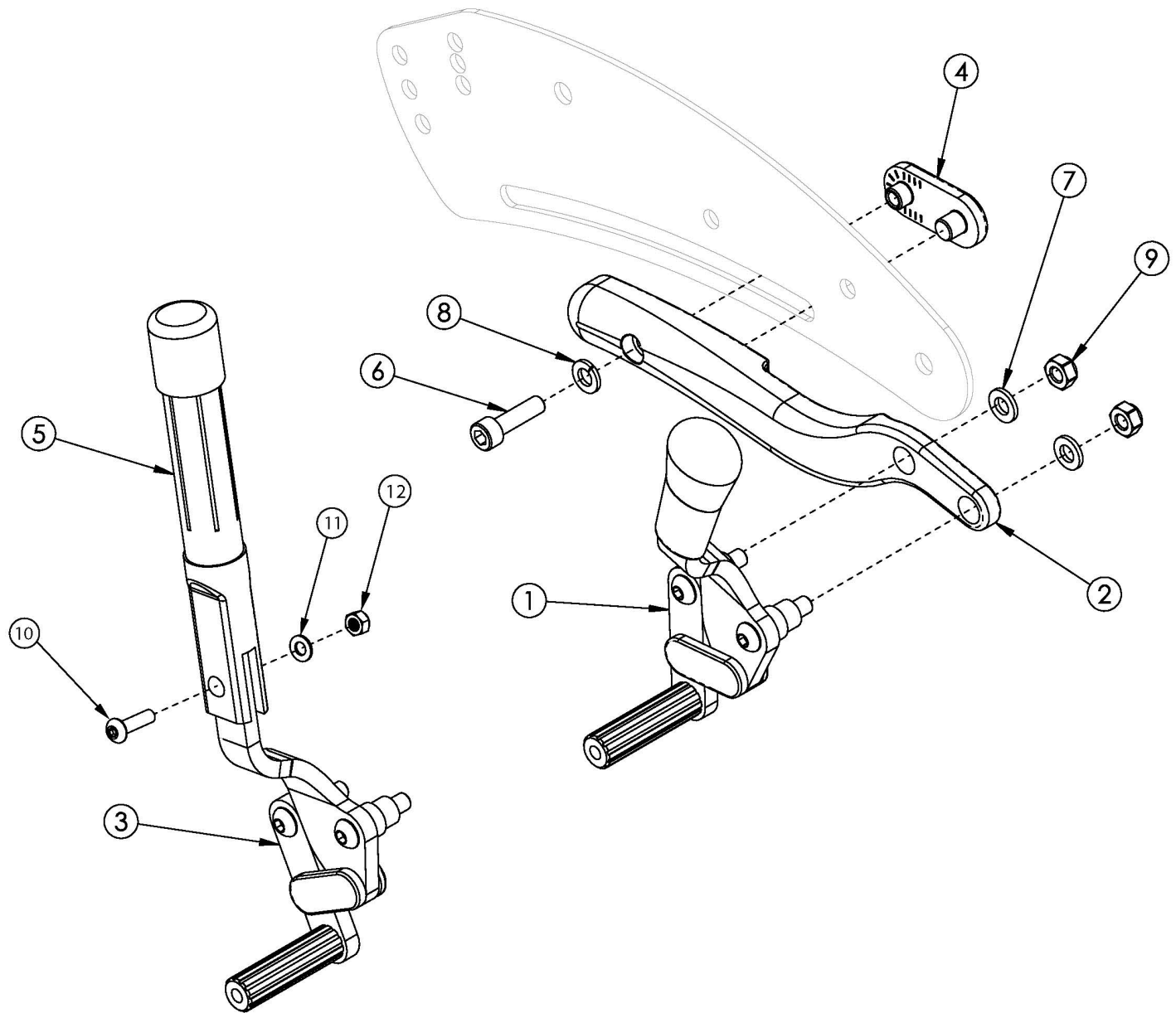


Flip Self Propel Push / Pull Wheel Lock



Item Number	Part Number	Description	Quantity
1a, 2a, 4, 6 - 9	502998	Wheel Lock Assembly, Self-Propel Push, Right, Flip	1
1b, 2b, 4, 6 - 9	502999	Wheel Lock Assembly, Self-Propel Push, Left, Flip	1
1a, 1b, 2a, 2b, 4, 6 - 9	502840	Wheel Lock Assembly, Self-Propel Push, PAIR, Flip	1
2a, 3a, 4 - 12	503000	Wheel Lock Assembly, Self-Propel Push w/ Extension, Right, Flip	1
2b, 3b, 4 - 12	503001	Wheel Lock Assembly, Self-Propel Push w/ Extension, Left, Flip	1

Item Number	Part Number	Description	Quantity
2a, 2b, 3a, 3b, 4 - 12	502841	Wheel Lock Assembly, Self-Propel Push w/ Extension, PAIR, Flip	1
1c, 2c, 4, 6 - 9	503002	Wheel Lock Assembly, Self-Propel Pull, Right, Flip	1
1d, 2d, 4, 6 - 9	503003	Wheel Lock Assembly, Self-Propel Pull, Left, Flip	1
1c, 1d, 2c, 2d, 4, 6 - 9	502842	Wheel Lock Assembly, Self-Propel Pull, PAIR, Flip	1
2c, 3c, 4 - 12	503004	Wheel Lock Assembly, Self-Propel Pull w/ Extension, Right, Flip	1
2d, 3d, 4 - 12	503005	Wheel Lock Assembly, Self-Propel Pull w/ Extension, Left, Flip	1
2c, 2d, 3c, 3d, 4 - 12	502843	Wheel Lock Assembly, Self-Propel Pull w/ Extension, PAIR, Flip	1
4	001905	Nut, Slide, Flip	1
5, 10-12	100854	Brake Extension Replacement	1
6	101180	M6 x 20 SHCS BLK ZC	1
7	100746	M6 Flat Washer Blk Zn	2
8	102810	M6 Lockwasher, Hi-Collar, ZC	1
9	100658	M6 Nylock Nut Blk Zn	2
10	101117	M5 x 22 BTN SHCS BLK ZC	1
11	101856	Flat Washer, M5, Blk Zn	1
12	100657	M5 Nylock Nut Blk Zn	1