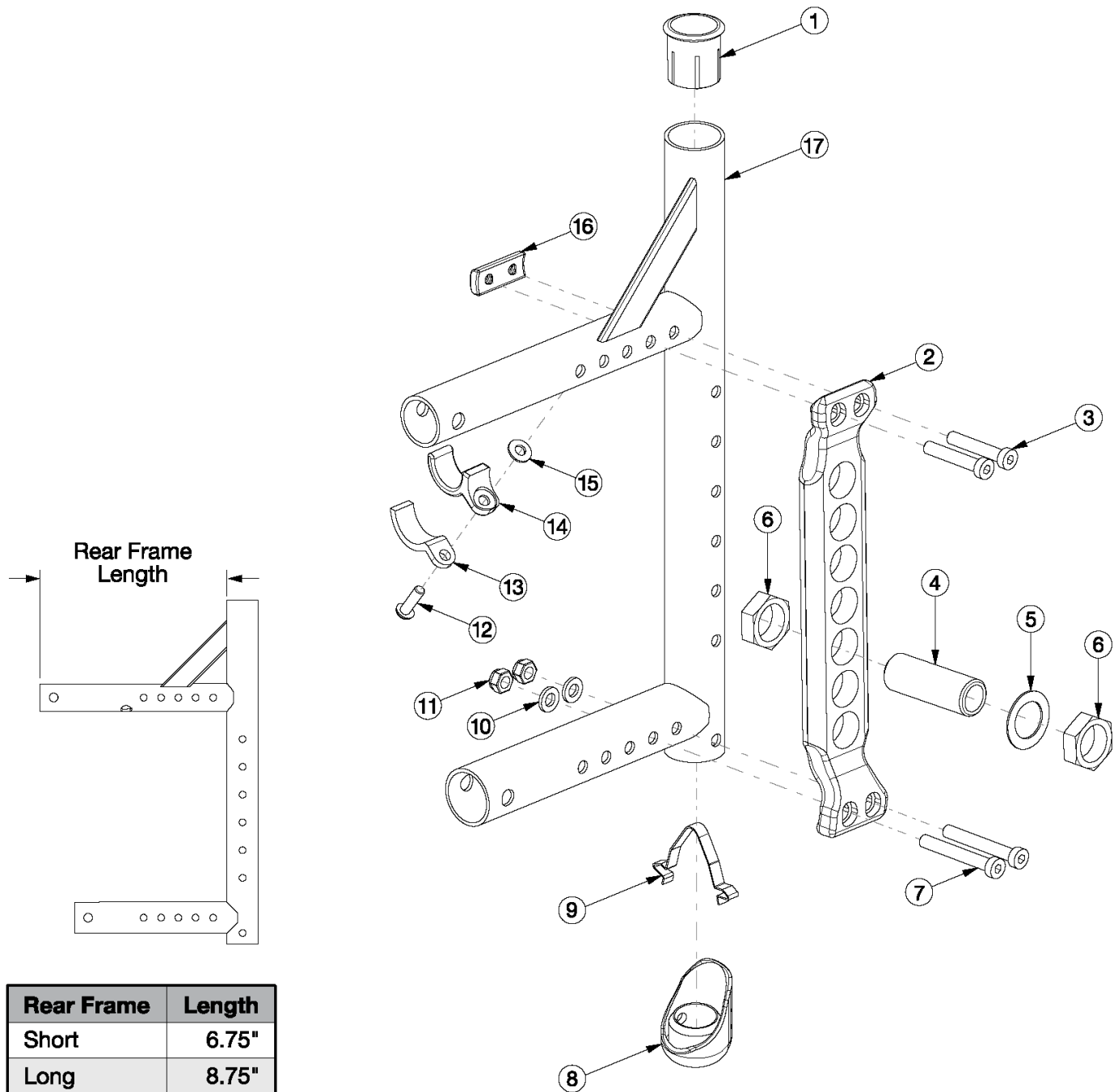


Canada / AADL Adjustable Axle Plate Rear Frame



Rear Frame	Length
Short	6.75"
Long	8.75"

Retrofitting to this axle plate and rear frame requires 300lb or 350lb Weight Capacity Use short frame for 14-17" Seat Depths and long frame for 18-20" Seat Depths If switching to a new Seat Depth, new Height Adjustable Flip Back T-Arms may be needed

Item Number	Part Number	Description	Quantity
1 - 16, 17a, 17b	117338_ _ _	Adjustable Axle Plate Retrofit Kit, 14-17" Seat Depths, Incl. Axle Receiver 2.5" Hardware	1

Item Number	Part Number	Description	Quantity
1 - 16, 17c, 17d	117339_ _ _	Adjustable Axle Plate Retrofit Kit, 18-20" Seat Depths, Incl. Axle Receiver 2.5" Hardware	1
1 - 16, 17c, 17d	117340	CA Kit, Black Gloss, Adjustable Axle Plate Retrofit Kit, 18-20" Seat Depths, Incl. Axle Receiver 2.5" Hardware	1
1 - 16, 17a, 17b	117341	CA Kit, Black Gloss, Adjustable Axle Plate Retrofit Kit, 14-17" Seat Depths, Incl. Axle Receiver 2.5" Hardware	1
1 - 16, 17c, 17d	117342	CA Kit, Blue, Adjustable Axle Plate Retrofit Kit, 18-20" Seat Depths, Incl. Axle Receiver 2.5" Hardware	1
1 - 16, 17a, 17b	117343	CA Kit, Blue, Adjustable Axle Plate Retrofit Kit, 14-17" Seat Depths, Incl. Axle Receiver 2.5" Hardware	1
1 - 16, 17c, 17d	117344	CA Kit, Candy Blue, Adjustable Axle Plate Retrofit Kit, 18-20" Seat Depths, Incl. Axle Receiver 2.5" Hardware	1
1 - 16, 17a, 17b	117345	CA Kit, Candy Blue, Adjustable Axle Plate Retrofit Kit, 14-17" Seat Depths, Incl. Axle Receiver 2.5" Hardware	1
1, 17a, 8, 9	110130_ _ _	Adjustable Axle Plate Rear Frame Assembly, Cat 4/4C, Left Short	1
1, 17b, 8, 9	110131_ _ _	Adjustable Axle Plate Rear Frame Assembly, Cat 4/4C, Right Short	1
1, 17c, 8, 9	110132_ _ _	Adjustable Axle Plate Rear Frame Assembly, Cat 4/4C, Left Long	1
1, 17d, 8, 9	110133_ _ _	Adjustable Axle Plate Rear Frame Assembly, Cat 4/4C, Right Long	1
12a, 13 - 15	501005	Seat Hook and Support Hardware Kit, Standard, Catalyst <i>Used with Standard or 300 lbs Weight Capacity. This kit contains quantity of 1 each</i>	1
12b, 13 - 15	114528	Seat Hook and Support Hardware Kit, Standard, for Heavy Duty Catalyst <i>Used with Heavy Duty / 350 lbs Weight Capacity. This kit contains quantity of 1 each</i>	1
1	000030	Backrest Sleeve Cat	1
2	111131	Adjustable Axle Plate, Black	1
3	103370	M6 x 35 Low SHCS BLK ZC w/Patch	2
4	114480	Axle Receiver, 2.5" Length <i>Replaced part number 100756</i>	1
5	100583	Axle Plate Washer 18mm	1
6	100514	Axle Receiver Nut M18 x D12 x 8mm	2
7	101123	M6 x 45 Low SHCS BLK ZC	2
8	111308	Adjustable Axle Plate Rear Frame Bumper	1
9	112180	Double Ramp Detent	1

Item Number	Part Number	Description	Quantity
10	100746	M6 Flat Washer Blk Zn	2
11	100658	M6 Nylock Nut Blk Zn	2
12a	100668	M6 x 20 CLS10.9 BTN SHCS ZC w/Patch <i>Used with Standard or 300 lbs Weight Capacity</i>	1
12b	101180	M6 x 20 SHCS BLK ZC <i>Used with Heavy Duty / 350 lbs Weight Capacity</i>	1
13	000004	Seat Hook Support, Catalyst	1
14	000003	Seat Hook, Catalyst	1
15	100831	1/2" Washer OD .040" Thick	1
16	111309	Adjustable Axle Plate Rear Frame Threaded Axle Nut Plate	1