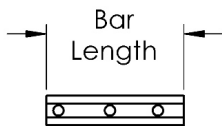
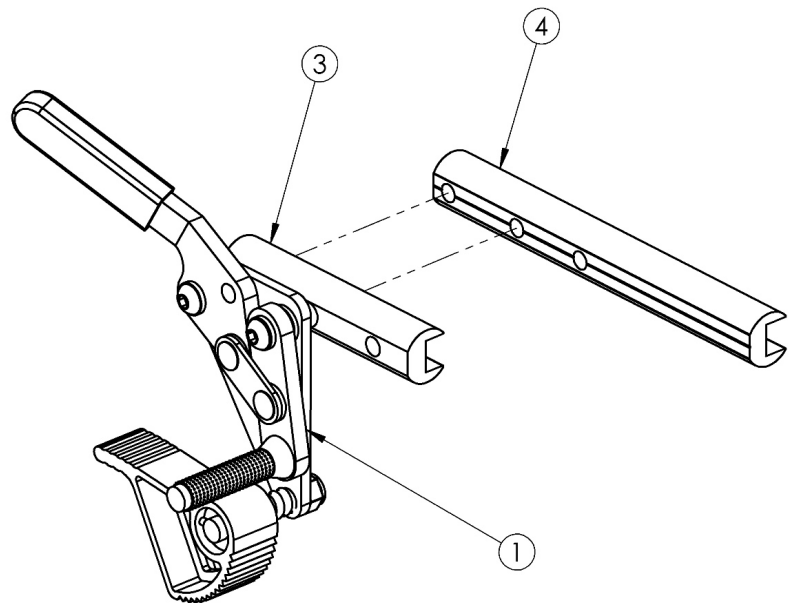
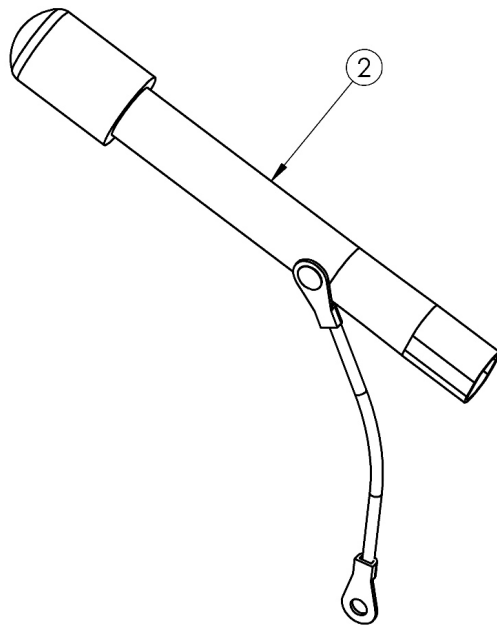


# Grade Aid



Part #	Bar	Length
003415	Standard	3.5"
001321	Extended	6.0"

*Ethos: if adding Wheel Locks to a chair, new Front ISO Towers are required*

Item Number	Part Number	Description	Quantity
1a, 3	503830	Wheel Lock Push Grade Aid, Left w/ Instruction <i>This kit contains 102987 wheel lock along with an instruction for reversing the wheel lock</i>	1
1b, 3	503831	Wheel Lock Push Grade Aid, Right w/ Instruction <i>This kit contains 102988 wheel lock along with an instruction for reversing the wheel lock</i>	1
2	200369	Wheel Lock Extension <i>6" long extension</i>	1
3	003415	Standard Wheel Lock Bar	1
4	001321	Wheel Lock Mount Bar Extended	1
1a, 2, 3	502655	Wheel Lock Push Grade Aid With Extension Left	1
1b, 2, 3	502656	Wheel Lock Push Grade Aid With Extension Right	1