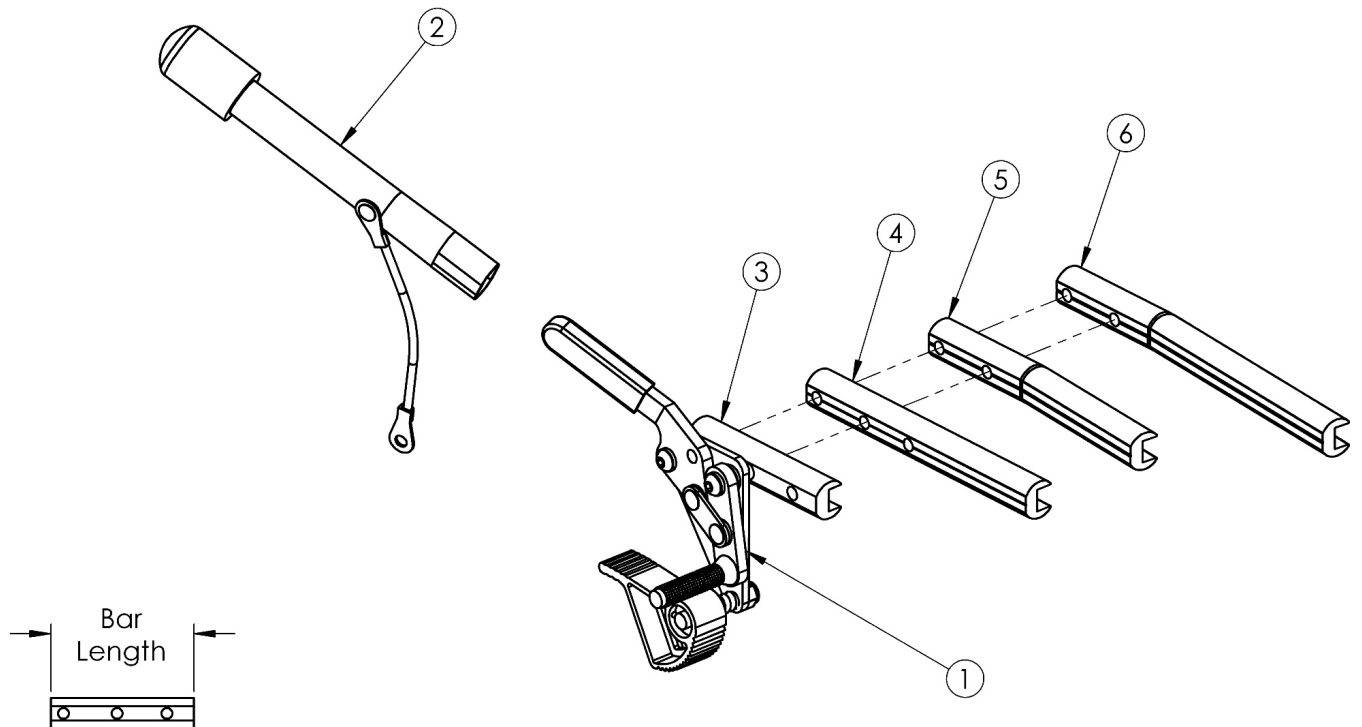


Clik Grade Aid



| Part # | Bar | Length |
|--------|---------------|--------|
| 003415 | Standard | 3.5" |
| 001321 | Extended | 6.0" |
| 002574 | Bent | 6.0" |
| 003106 | Extended Bent | 8.0" |

| Item Number | Part Number | Description | Quantity |
|-------------|-------------|--|----------|
| 1a, 3 | 503830 | Wheel Lock Push Grade Aid, Left w/ Instruction <i>This kit contains 102987 wheel lock along with an instruction for reversing the wheel lock</i> | 1 |
| 1b, 3 | 503831 | Wheel Lock Push Grade Aid, Right w/ Instruction <i>This kit contains 102988 wheel lock along with an instruction for reversing the wheel lock</i> | 1 |
| 1a, 2, 3 | 502655 | Wheel Lock Push Grade Aid With Extension Left | 1 |
| 1b, 2, 3 | 502656 | Wheel Lock Push Grade Aid With Extension Right | 1 |
| 2 | 200369 | Wheel Lock Extension <i>6" long extension</i> | 1 |
| 3 | 003415 | Standard Wheel Lock Bar | 1 |
| 4 | 001321 | Wheel Lock Mount Bar Extended <i>Used as needed</i> | 1 |

| Item Number | Part Number | Description | Quantity |
|--------------------|--------------------|---|-----------------|
| 5 | 002574 | Wheel Lock Bar Bent <i>Used with Offset Frame</i> | 1 |
| 6 | 003106 | Extended Wheel Lock Bar Bent <i>Used as needed with Offset Frame</i> | 1 |