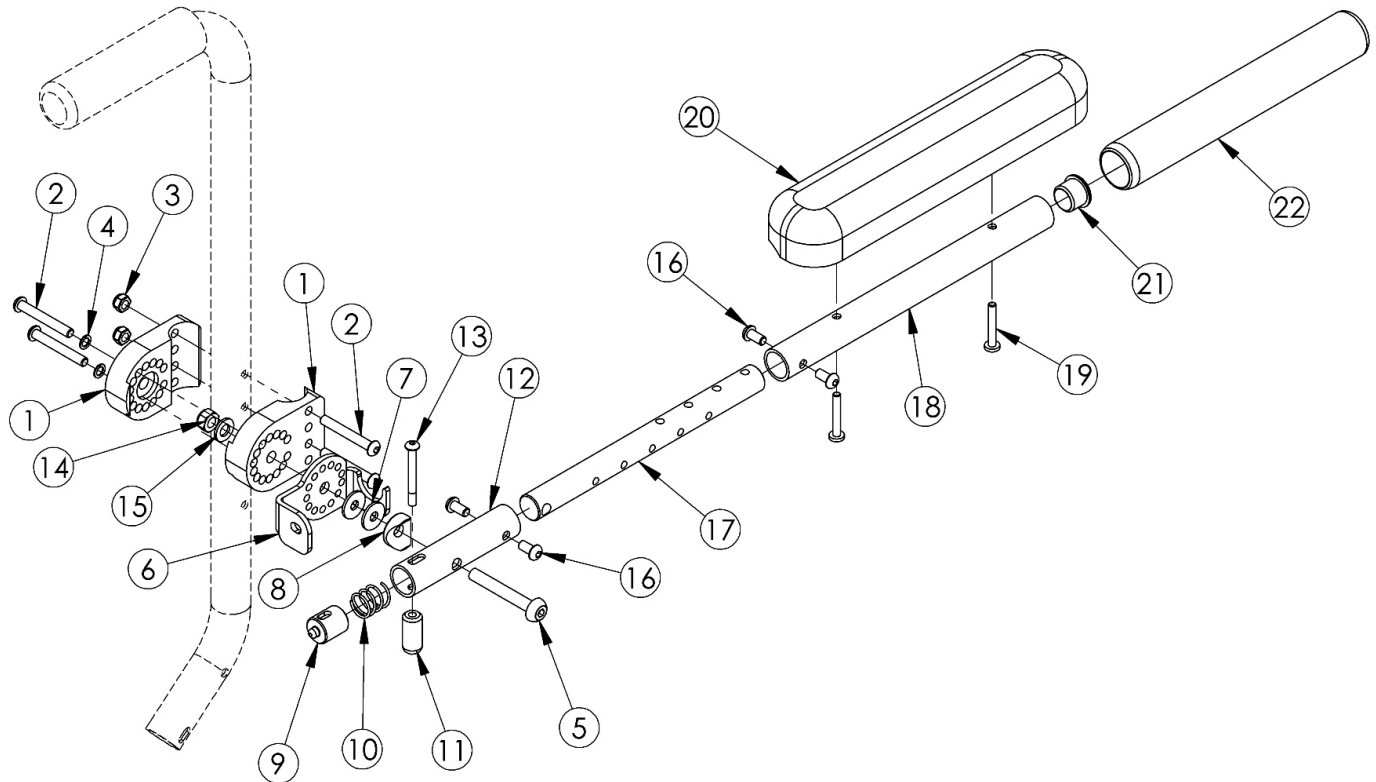


# (Discontinued) Angle Adjustable Locking Flip Up Extendable Armrest



Item Number	Part Number	Description	Quantity
1-5, 6b, 7, 14, 15	503028	(Discontinued) Angle Adj Flip Up Clamp w/ Hardware Assembly, Left	1
1-5, 6a, 7, 14, 15	503029	(Discontinued) Angle Adj Flip Up Clamp w/ Hardware Assembly, Right	1
1-7, 14, 15	503030	(Discontinued) Angle Adj Flip Up Clamp w/ Hardware Assembly, PAIR	1
18a, 21, 22	111840	(Discontinued) Flip Up Armrest Tube with Foam Grip Kit, Desk	1
2	100670	M6 x 45 BTN SHCS BLK ZC	4
3	100658	M6 Nylock Nut Blk Zn	2
4	101835	M6 Lock Washer Blk Zn	2
5	102079	M8 x 55 BHCS PT BLZ	1
8	000697	Saddle 7/8"	1
9	000677	Flip Up Armrest Latch Pin	1
13	000142	M5 x 45 BHCS, P/THD, BLZ	1

<b>Item Number</b>	<b>Part Number</b>	<b>Description</b>	<b>Quantity</b>
14	100659	M8 Nylock Nut Blk Zn	1
15	101858	Washer Flat M8 Blk Zn	1
16	101184	M6 x 10 BTN SHCS BLKZC w/Patch	4
19	100696	M5 x 30mm PPH Capscrew	2
20a	100500	Arm Pad Full	1
20b	100501	Arm Pad Desk	1
21	100803	Tube End Plug 7/8"	1