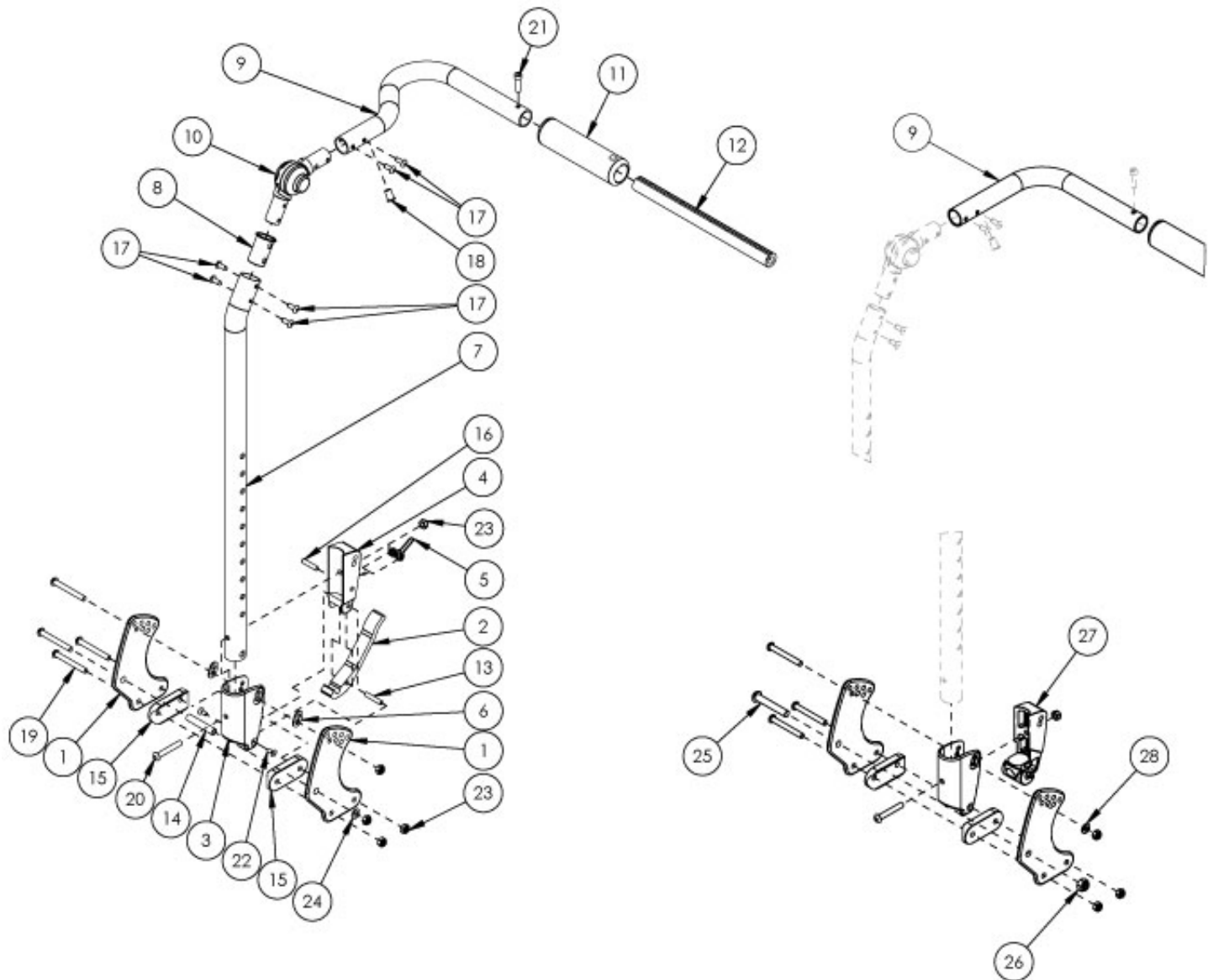


# (Discontinued) Flip Fixed Height with Adjustable Handle Backrest



Callout #9: 10-13" widths receive the curved handle and 14-18" widths receive the "L" shaped handle.

Item Number	Part Number	Description	Quantity
1a, 6, 14, 15, 19, 23, 24	502819	Backrest Hardware Kit Std FLIP	1
1b, 6, 14, 15, 19, 23, 24	502820	Backrest Hardware Kit Std Transit (one side), FLIP	1
1a, 15, 19, 20, 23, 25, 26, 28	503027	Backrest Hardware Kit, Non Folding, Flip	1
1b, 15, 19, 20, 23, 25, 26, 28	503163	Backrest Hardware Kit Non-Folding (one side), Transit, Flip	1

Item Number	Part Number	Description	Quantity
1a, 2, 3-6, 7b, 8, 9b, 10, 11, 13-20, 22-24	505196	Back Assm w/ Latch Insert, Fixed Height w/ Adjustable Handle Tall w/ Hardware, 10-13" wide, Right Flip	1
1a, 3, 7a, 8, 9a, 10, 11, 14, 15, 17-20, 22, 24-28	505197	Back Assm w/ Latch Insert, Fixed Height w/ Adjustable Handle Short w/ Hardware, Non-Folding, 10-13" wide, Left Flip	1
1a, 3, 7a, 8, 9b, 10, 11, 14, 15, 17-20, 22, 24-28	505198	Back Assm w/ Latch Insert, Fixed Height w/ Adjustable Handle Short w/ Hardware, Non-Folding, 10-13" wide, Right Flip	1
1a, 3, 7b, 8, 9a, 10, 11, 14, 15, 17-20, 22, 24-28	505199	Back Assm w/ Latch Insert, Fixed Height w/ Adjustable Handle Tall w/ Hardware, Non-Folding, 10-13" wide, Left Flip	1
1a, 3, 7b, 8, 9b, 10, 11, 14, 15, 17-20, 22, 24-28	505200	Back Assm w/ Latch Insert, Fixed Height w/ Adjustable Handle Tall w/ Hardware, Non-Folding, 10-13" wide, Right Flip	1
2, 3-5, 7a, 8, 9a, 10, 11, 13, 16-18, 20, 22, 23	505201	Back Assm w/ Latch Insert, Fixed Height w/ Adjustable Handle Short, 10-13" wide, Left Flip	1
2, 3-5, 7a, 8, 9b, 10, 11, 13, 16-18, 20, 22, 23	505202	Back Assm w/ Latch Insert, Fixed Height w/ Adjustable Handle Short, 10-13" wide, Right Flip	1
2, 3-5, 7b, 8, 9a, 10, 11, 13, 16-18, 20, 22, 23	505203	Back Assm w/ Latch Insert, Fixed Height w/ Adjustable Handle Tall, 10-13" wide, Left Flip	1
2, 3-5, 7b, 8, 9b, 10, 11, 13, 16-18, 20, 22, 23	505204	Back Assm w/ Latch Insert, Fixed Height w/ Adjustable Handle Tall, 10-13" wide, Right Flip	1
3, 7a, 8, 9a, 10, 11, 17, 18, 20, 23, 27	505205	Back Assm w/ Latch Insert, Fixed Height w/ Adjustable Handle Short, Non-Folding, 10-13" wide, Left Flip	1
3, 7a, 8, 9b, 10, 11, 17, 18, 20, 23, 27	505206	Back Assm w/ Latch Insert, Fixed Height w/ Adjustable Handle Short, Non-Folding, 10-13" wide, Right Flip	1
3, 7b, 8, 9a, 10, 11, 17, 18, 20, 23, 27	505207	Back Assm w/ Latch Insert, Fixed Height w/ Adjustable Handle Tall, Non-Folding, 10-13" wide, Left Flip	1
3, 7b, 8, 9b, 10, 11, 17, 18, 20, 23, 27	505208	Back Assm w/ Latch Insert, Fixed Height w/ Adjustable Handle Tall, Non-Folding, 10-13" wide, Right Flip	1
12a, 21	503107	Growth Strut Assembly Short, Focus/Flip	1
1a	001890	Back Plate, Std	2
1b	001891	Back Plate, Transit	1
2	001893	Latch Lever, Backrest	1
3, 6	503834	Cover Plate, Latch Insert Kit	1

Item Number	Part Number	Description	Quantity
4	001895	Latch Insert, Folding Backrest	1
5	001896	Spring, Backrest Latch	1
6	001897	Washer, Dual, PSA	1
12a	002578	Growth Strut, Stroller, Short	1
12b	002579	Growth Strut, Stroller, Long <i>Used only if growing chair from 13" wide or less to 14" wide or greater</i>	1
13	002513	Threaded Barrel, 5mm OD x M4	1
14	002738	Spacer .313 OD x .243 ID x 1.68 long	1
15	002595	Saddle, Dual, 1" OD X 1.5 SP	2
16	102694	Dowel Pin, M5 X 24, Blk Zn	1
19	101781	M6 x 50mm Partial Thread BHCS Blk ZC	4
20	100797	M6 x 40 BHCS BLK ZC	1
21	101843	M5 x 20 SHCS Blk Zn	1
22	101818	M4 x 10 FHCS BLKZC w/Patch	2
23	100658	M6 Nylock Nut Blk Zn	5
24	101861	Nylon Washer 5/16 x 1/2 x .03	1
25	101815	M8 x 50 BHCS Blk Zn	1
26	100659	M8 Nylock Nut Blk Zn	1
27	002035	Insert, Backrest, Non-Folding	1
28	100746	M6 Flat Washer Blk Zn	1