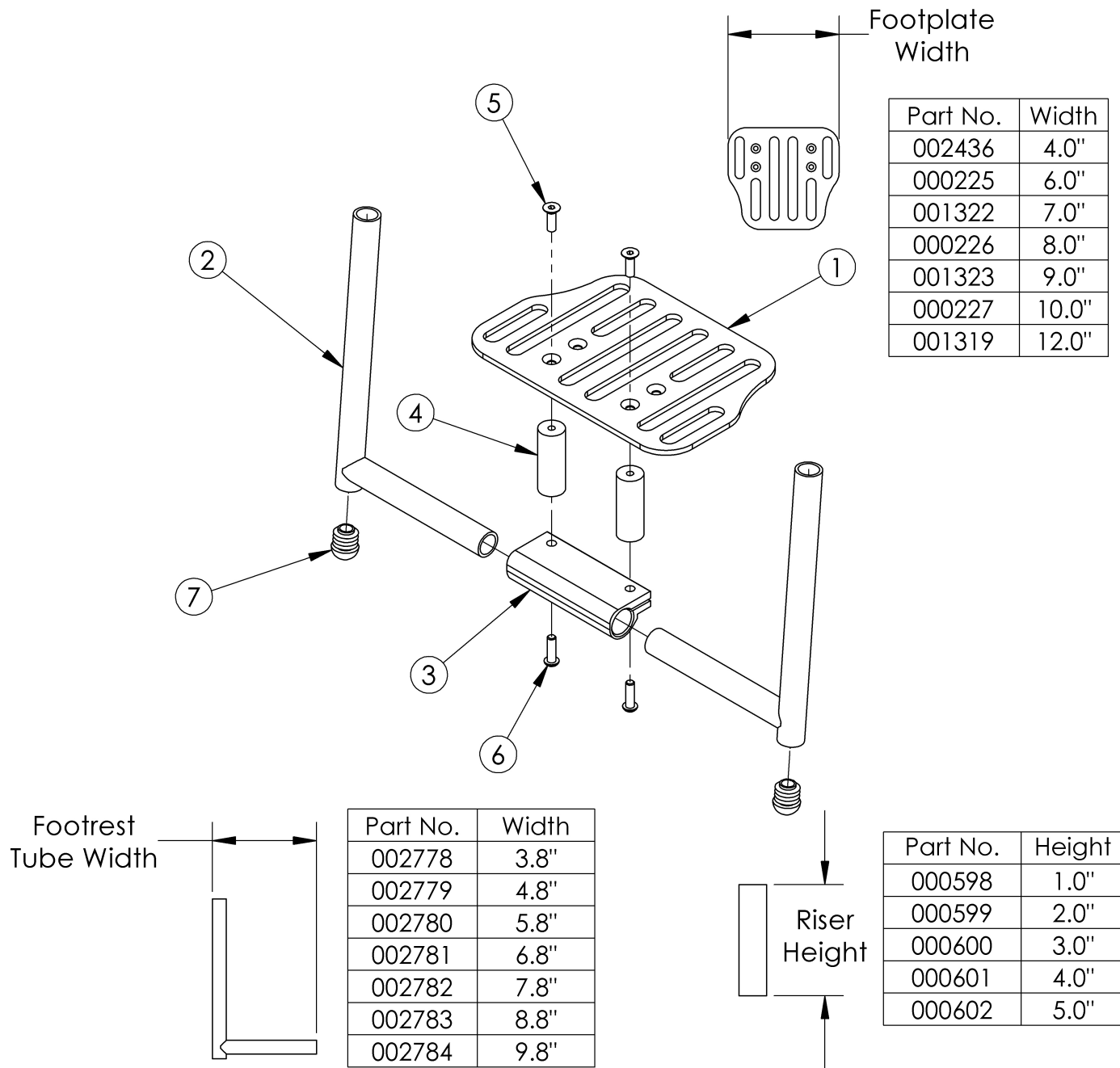


# Clik Angle Adjustable Footrest with Riser



Angle Adjustable Footplate Assemblies do not include Risers. See Riser Assemblies. For attaching footrest hardware, reference the Clik Side Frame pages (serial numbers CLK005270 and after) or Discontinued Clik Side Frame pages (serial numbers prior to CLK005270). If changing width of chair, new footrest tubes are required.

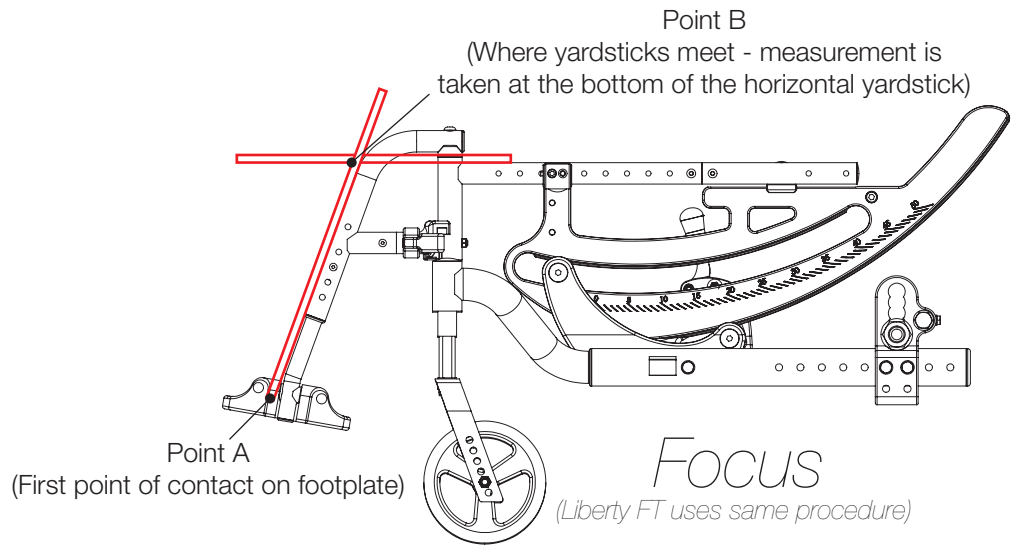
Item Number	Part Number	Description	Quantity
1a, 2a, 3, 5-7	502541	Footrest Assembly Angle Adjustable for Riser 8" Wide Clik	1

Item Number	Part Number	Description	Quantity
1b, 2a, 3, 5-7	502542	Footrest Assembly Angle Adjustable for Riser 9" Wide Klik	1
1c, 2b, 3, 5-7	502543	Footrest Assembly Angle Adjustable for Riser 10" Wide Klik	1
1d, 2b, 3, 5-7	502544	Footrest Assembly Angle Adjustable for Riser 11" Wide / 8" Offset Klik	1
1e, 2b, 3, 5-7	503093	Footrest Assembly Angle Adjustable for Riser 9" Wide Offset Klik	1
1e, 2c, 3, 5-7	502545	Footrest Assembly Angle Adjustable for Riser 12" Wide Klik	1
1f, 2c, 3, 5-7	502546	Footrest Assembly Angle Adjustable for Riser 13" Wide / 10" Offset Klik	1
1g, 2c, 3, 5-7	503094	Footrest Assembly Angle Adjustable for Riser 11" Wide Offset Klik	1
1g, 2d, 3, 5-7	502547	Footrest Assembly Angle Adjustable for Riser 14", 15" Wide / 12", 13" Offset Klik	1
1g, 2e, 3, 5-7	502548	Footrest Assembly Angle Adjustable for Riser 16" Wide / 14", 15" Offset Klik	1
1g, 2f, 3, 5-7	502593	Footrest Assembly Angle Adjustable for Riser 17", 18" Wide / 16", 17" Offset Klik	1
1g, 2g, 3, 5-7	503095	Footrest Assembly Angle Adjustable for Riser 18" Wide Offset Klik	1
4a, 5, 6	502321	Rigid Footplate Riser 1" w/ Hardware Assembly, PAIR	1
4b, 5, 6	502322	Rigid Footplate Riser 2" w/ Hardware Assembly, PAIR	1
4c, 5, 6	502323	Rigid Footplate Riser 3" w/ Hardware Assembly, PAIR	1
4d, 5, 6	502324	Rigid Footplate Riser 4" w/ Hardware Assembly, PAIR	1
4e, 5, 6	502325	Rigid Footplate Riser 5" w/ Hardware Assembly, PAIR	1
1a	002436	Footrest Platform Angle Adjustable 4" Rigid	1
1b	000225	Footrest Platform Angle Adjustable 6"	1
1c	001322	Footrest Platform Angle Adjustable 7"	1
1d	000226	Footrest Platform Angle Adjustable 8"	1
1e	001323	Footrest Platform Angle Adjustable 9"	1
1f	000227	Footrest Platform Angle Adjustable 10"	1
1g	001319	Footrest Platform Angle Adjustable 12"	1
2a	002778	Footrest Extension Welded 3.8"	2
2b	002779	Footrest Extension Welded 4.8"	2
2c	002780	Footrest Extension Welded 5.8"	2
2d	002781	Footrest Extension Welded 6.8"	2

Item Number	Part Number	Description	Quantity
2e	002782	Footrest Extension Welded 7.8"	2
2f	002783	Footrest Extension Welded 8.8"	2
2g	002784	Footrest Extension Welded 9.8"	2
3	100789	Footrest Adjustable Clamp 5"	1
4a	000598	Rigid Footplate Riser 1"	2
4b	000599	Rigid Footplate Riser 2"	2
4c	000600	Rigid Footplate Riser 3"	2
4d	000601	Rigid Footplate Riser 4"	2
4e	000602	Rigid Footplate Riser 5"	2
5	101594	M6 x 14 CLS10.9 DIN7991 FSHCS BLKZC w/Patch	2
6	101180	M6 x 20 SHCS BLK ZC	2
7	002834	Dome Top Tube End, 3/4"	2

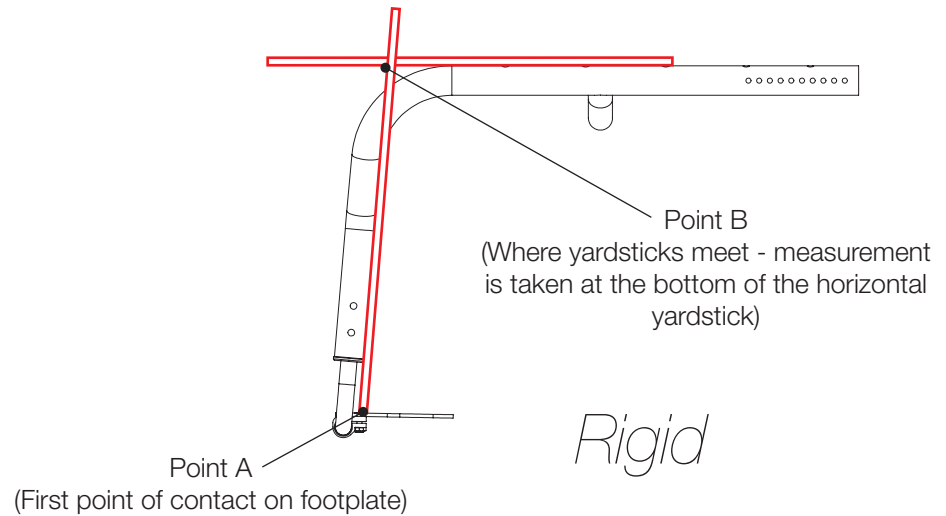
Distance between Point A and Point B = Footplate Length

**NOTE:** The yardstick on the top plane of the seat frame must lie flat against frame. The yardstick going from the footplate to the second yardstick must be square against the hanger tube.



Distance between Point A and Point B = Footplate Length

**NOTE:** The yardstick on the top plane of the seat frame must lie flat against frame. The yardstick going from the footplate to the second yardstick must be square against the front tube.



Distance between Point A and Point B = Footplate Length

**NOTE:** The yardstick on the top plane of the hanger must lie flat against hanger. The yardstick going from the footplate to the second yardstick must be square against the hanger tube.

