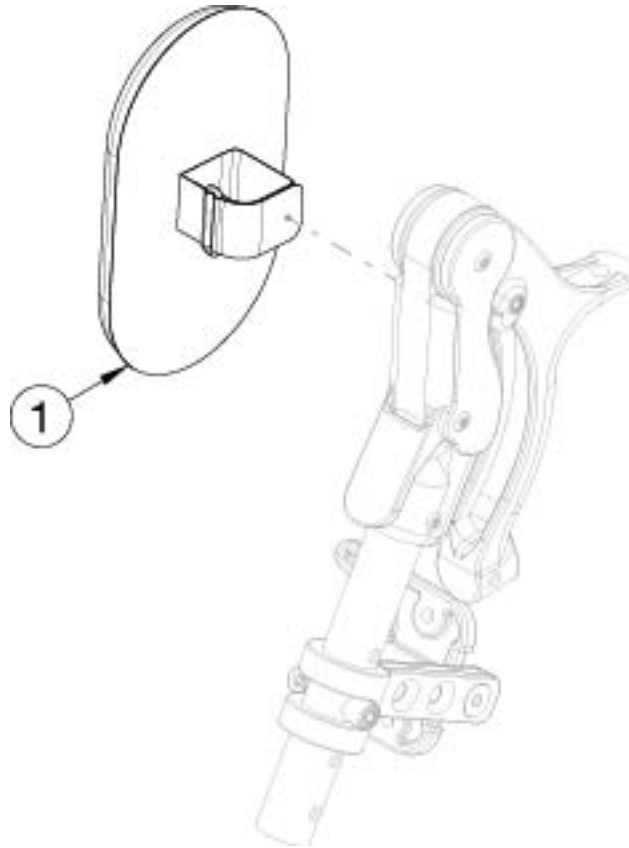


Standard ELR Foam Knee Pad



Item Number	Part Number	Description	Quantity
1	122781	Standard ELR Foam Knee Pad	2