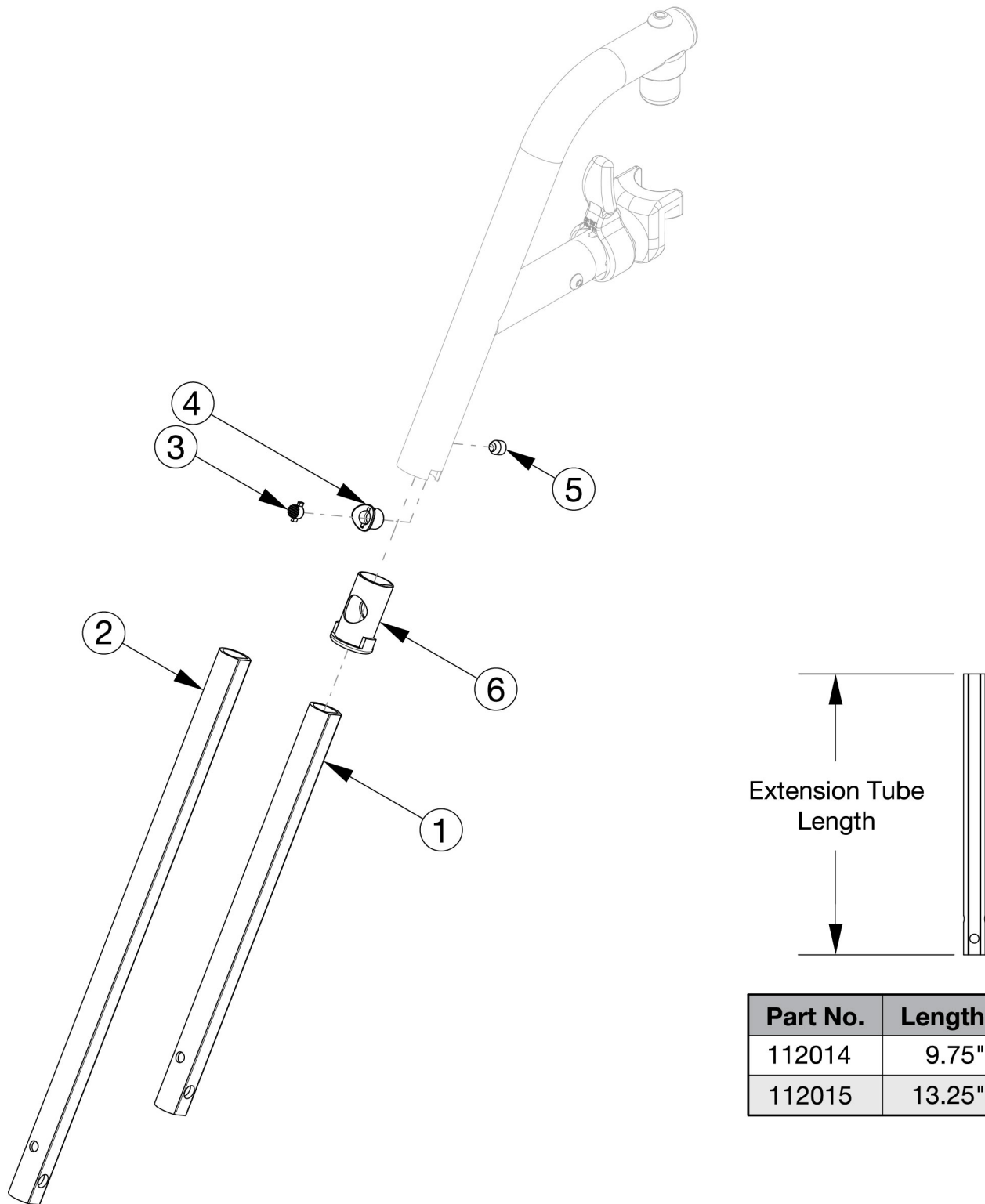


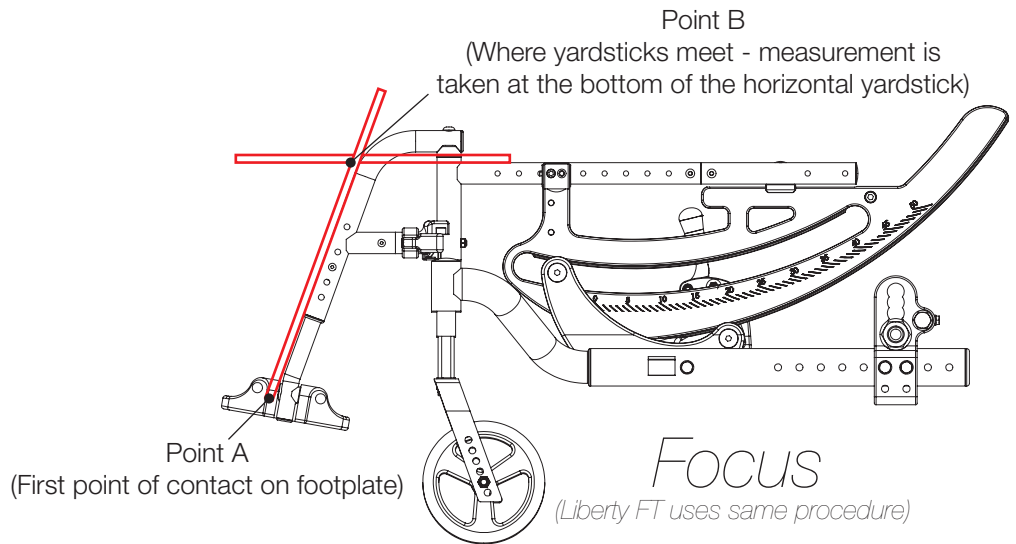
# Catalyst E Hanger Extension Tubes



<b>Item Number</b>	<b>Part Number</b>	<b>Description</b>	<b>Quantity</b>
1, 3-6	115846	Hanger Extension Tube Kit, Short, Cat E	2
2, 3-6	115847	Hanger Extension Tube Kit, Long, Cat E	2
1	112014	Hanger Extension Tube, Short, CAT E	1
2	112015	Hanger Extension Tube, Long, CAT E	1
3	111950	Hanger Cleat	1
4	111949	Hanger Cleat Housing	1
5	114457	M8 x 8 x 1.25 Cup Point Set Screw w/ Patch	1
6	111948	Cleat Hanger Sleeve	1

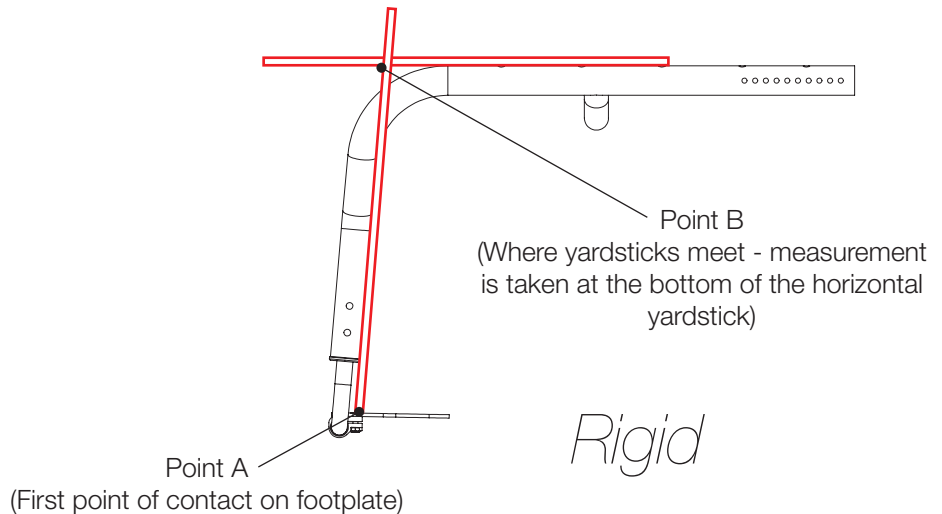
Distance between Point A and Point B = Footplate Length

**NOTE:** The yardstick on the top plane of the seat frame must lie flat against frame. The yardstick going from the footplate to the second yardstick must be square against the hanger tube.



Distance between Point A and Point B = Footplate Length

**NOTE:** The yardstick on the top plane of the seat frame must lie flat against frame. The yardstick going from the footplate to the second yardstick must be square against the front tube.



Distance between Point A and Point B = Footplate Length

**NOTE:** The yardstick on the top plane of the hanger must lie flat against hanger. The yardstick going from the footplate to the second yardstick must be square against the hanger tube.

