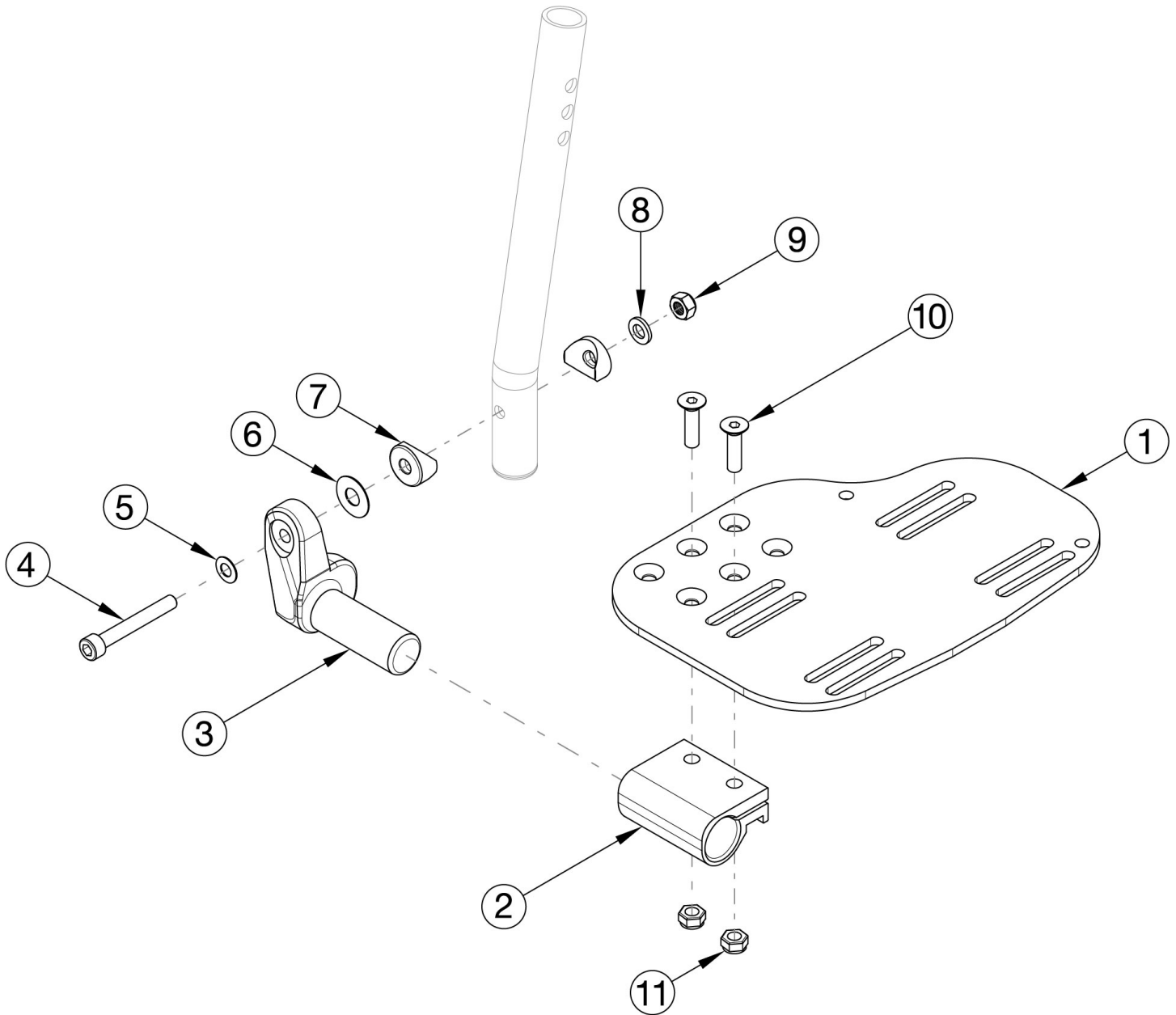


# Catalyst E Footplates - Angle Adjustable Extension Mount



Sizes for footplates are based on seat width.

Item Number	Part Number	Description	Quantity
2, 3b, 4-11	502202	Footplate Hardware Assembly Angle Adjustable Extension Mount/ELR Left	1
2, 3a, 5-12	502203	Footplate Hardware Assembly Angle Adjustable Extension Mount/ELR Right	1
2, 3a, 3b, 4-11	502204	Footplate Hardware Assembly Angle Adjustable Extension Mount/ELR Pair	1
1a, 2, 3b, 4-11	100252	Footplate Angle Adjustable 14-15 Wide Extension Mount Left/ELR Right Assembly	1
1b, 2, 3a, 4-11	100253	Footplate Angle Adjustable 14-15 Wide Extension Mount Right/ELR Left Assembly	1

Item Number	Part Number	Description	Quantity
1a, 1b, 2, 3a, 3b, 4-11	100254	Footplate Angle Adjustable 14-15 Wide Extension Mount/ELR PAIR Assembly	1
1c, 2, 3b, 4-11	100255	Footplate Angle Adjustable 16-17 Wide Extension Mount Left/ELR Right Assembly	1
1d, 2, 3a, 4-11	100256	Footplate Angle Adjustable 16-17 Wide Extension Mount Right/ELR Left Assembly	1
1c, 1d, 2, 3a, 3b, 4-11	100257	Footplate Angle Adjustable 16-17 Wide Extension Mount/ELR PAIR Assembly	1
1e, 2, 3b, 4-11	100258	Footplate Angle Adjustable 18-24 Wide Extension Mount Left/ELR Right Assembly	1
1f, 2, 3a, 4-11	100259	Footplate Angle Adjustable 18-24 Wide Extension Mount Right/ELR Left Assembly	1
1e, 1f, 2, 3a, 3b, 4-11	100260	Footplate Angle Adjustable 18-24 Wide Extension Mount/ELR PAIR Assembly	1
1a, 2, 3b, 4-11	502184	Footplate Kit Angle Adjustable w/ Heel Loop for Ext. Mount Hanger 14-15 Wide Left <i>Heel Loop with attaching hardware is included but not pictured</i>	1
1b, 2, 3a, 4-11	502185	Footplate Kit Angle Adjustable w/ Heel Loop for Ext. Mount Hanger 14-15 Wide Right <i>Heel Loop with attaching hardware is included but not pictured</i>	1
1a, 1b, 2, 3a, 3b, 4-11	502186	Footplate Kit Angle Adjustable w/ Heel Loop for Ext. Mount Hanger 14-15 Wide Pair <i>Heel Loop with attaching hardware is included but not pictured</i>	1
1c, 2, 3b, 4-11	502187	Footplate Kit Angle Adjustable w/ Heel Loop for Ext. Mount Hanger 16-17 Wide Left <i>Heel Loop with attaching hardware is included but not pictured</i>	1
1d, 2, 3a, 4-11	502188	Footplate Kit Angle Adjustable w/ Heel Loop for Ext. Mount Hanger 16-17 Wide Right <i>Heel Loop with attaching hardware is included but not pictured</i>	1
1c, 1d, 2, 3a, 3b, 4-11	502189	Footplate Kit Angle Adjustable w/ Heel Loop for Ext. Mount Hanger 16-17 Wide Pair <i>Heel Loop with attaching hardware is included but not pictured</i>	1
1e, 2, 3b, 4-11	502190	Footplate Kit Angle Adjustable w/ Heel Loop for Ext. Mount Hanger 18-24 Wide Left <i>Heel Loop with attaching hardware is included but not pictured</i>	1
1f, 2, 3a, 4-11	502191	Footplate Kit Angle Adjustable w/ Heel Loop for Ext. Mount Hanger 18-24 Wide Right <i>Heel Loop with attaching hardware is included but not pictured</i>	1
1e, 1f, 2, 3a, 3b, 4-11	502192	Footplate Kit Angle Adjustable w/ Heel Loop for Ext. Mount Hanger 18-24 Wide Pair <i>Heel Loop with attaching hardware is included but not pictured</i>	1
1a	000105	Footplate Angle Adjustable 14-15" Wide CAT/TILT Left (Std ELR Right)	1
1b	000106	Footplate Angle Adjustable 14-15" Wide CAT/TILT Right (Std ELR Left)	1
1c	000107	Footplate Angle Adjustable 16-17" Wide CAT/TILT Left (Std ELR Right)	1

Item Number	Part Number	Description	Quantity
1d	000108	Footplate Angle Adjustable 16-17" Wide CAT/TILT Right (Std ELR Left)	1
1e	000109	Footplate Angle Adjustable 18-24" Wide CAT/TILT Left (Std ELR Right)	1
1f	000110	Footplate Angle Adjustable 18-24" Wide CAT/TILT Right (Std ELR Left)	1
2	100502	Angle Adj Footplate Clamp 2"	1
3a	000047	Footplate Angle Adjustable Casting 3/4 Right	1
3b	000049	Footplate Angle Adjustable Casting 3/4" Left	1
4	101472	M6 x 45 SHCS BLK ZC	1
5	101455	M6 Belleville Washer (.252 x .551 x .050)	1
6	000428	Wear Washer	1
7	000053	Saddle 3/4"	2
8	100746	M6 Flat Washer Blk Zn	1
9	101456	M6 Ovl Top L/N ZC	1
10	100662	M6 x 25 FSHCS BLK ZC	2
11	100658	M6 Nylock Nut Blk Zn	2