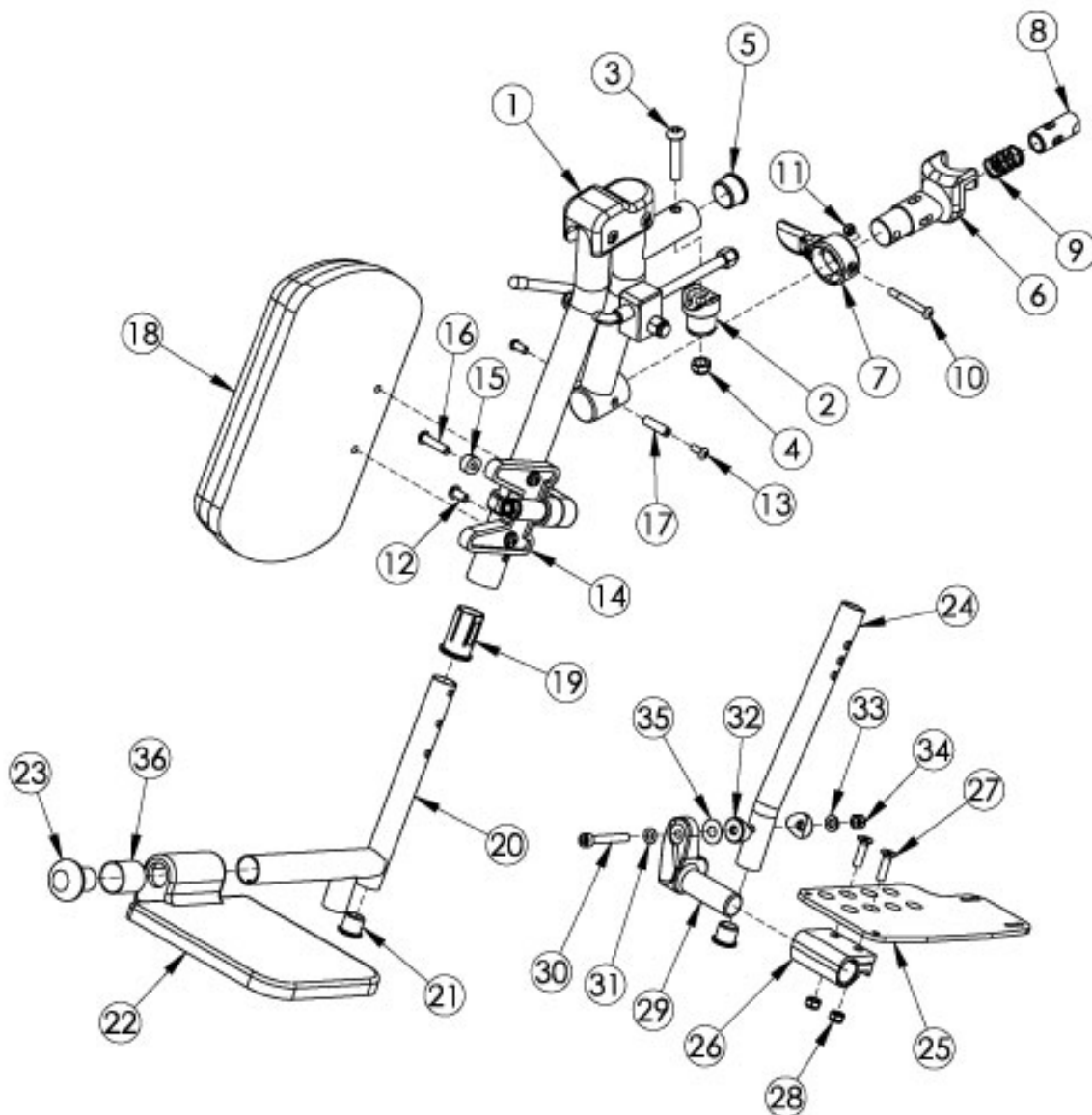
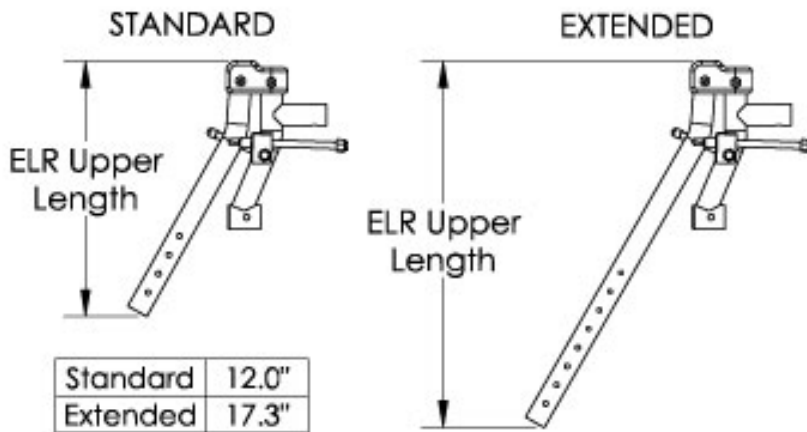


(Discontinued) Liberty Elevating Leg Rest



Small composite footplates are used on 14-16" seat widths. Large composite footplates are used on 17-22" seat widths. Sizes for assemblies are based on seat width with straight frame. For a complete Elevating Leg Rest, select an upper assembly and the desired extension tube and footplate assembly.

Item Number	Part Number	Description	Quantity
6-11	003643INST	Assembled 4-Way Out Hanger Release, Left with Instruction	1
6-11	003642INST	Assembled 4-Way Out Hanger Release, Right with Instruction	1
1b, 2-17, 18b, 19	505307	ELR Upper Assembly with 4-Way Out Hanger Latch 14 Left	1
1a, 2-17, 18b, 19	505308	ELR Upper Assembly with 4-Way Out Hanger Latch 14 Right	1
1b, 2-17, 18a, 19	505309	ELR Upper Assembly with 4-Way Out Hanger Latch Left	1
1a, 2-17, 18a, 19	505310	ELR Upper Assembly with 4-Way Out Hanger Latch Right	1
1d, 2-17, 18b, 19	505311	Extended Length ELR Upper Assembly with 4-Way Out Hanger Latch 14 Left	1
1c, 2-17, 18b, 19	505312	Extended Length ELR Upper Assembly with 4-Way Out Hanger Latch 14 Right	1
1d, 2-17, 18a, 19	505313	Extended Length ELR Upper Assembly with 4-Way Out Hanger Latch Left	1
1c, 2-17, 18a, 19	505314	Extended Length ELR Upper Assembly with 4-Way Out Hanger Latch Right	1
21, 24a, 25b, 26 - 28, 29b, 30 - 35	505331	Short ELR Ext Tube with Angle Adjustable Footplate 14/15 Left Assembly	1
21, 24a, 25a, 26 - 28, 29a, 30 - 35	505332	Short ELR Ext Tube with Angle Adjustable Footplate 14/15 Right Assembly	1
21, 24a, 25a, 25b, 26 - 35	505333	Short ELR Ext Tube with Angle Adjustable Footplate 14/15 Assembly PAIR	1
21, 24a, 25b, 26 - 28, 29b, 30 - 35	505334	Short ELR Ext Tube with Angle Adjustable Footplate 14/15 with Heel Loop Left Assembly	1
21, 24a, 25a, 26 - 28, 29a, 30 - 35	505335	Short ELR Ext Tube with Angle Adjustable Footplate 14/15 with Heel Loop Right Assembly	1
21, 24a, 25a, 25b, 26 - 35	505336	Short ELR Ext Tube with Angle Adjustable Footplate 14/15 with Heel Loop Assembly PAIR	1
21, 24a, 25d, 26 - 28, 29b, 30 - 35	505340	Short ELR Ext Tube with Angle Adjustable Footplate 16/17 Left Assembly	1
21, 24a, 25c, 26 - 28, 29a, 30 - 35	505341	Short ELR Ext Tube with Angle Adjustable Footplate 16/17 Right Assembly	1
21, 24a, 25c, 25d, 26 - 35	505342	Short ELR Ext Tube with Angle Adjustable Footplate 16/17 Assembly PAIR	1
21, 24a, 25d, 26 - 28, 29b, 30 - 35	505343	Short ELR Ext Tube with Angle Adjustable Footplate 16/17 with Heel Loop Left Assembly	1
21, 24a, 25c, 26 - 28, 29a, 30 - 35	505344	Short ELR Ext Tube with Angle Adjustable Footplate 16/17 with Heel Loop Right Assembly	1

Item Number	Part Number	Description	Quantity
21, 24a, 25c, 25d, 26 - 35	505345	Short ELR Ext Tube with Angle Adjustable Footplate 16/17 with Heel Loop Assembly PAIR	1
21, 24a, 25f, 26 - 28, 29b, 30 - 35	505349	Short ELR Ext Tube with Angle Adjustable Footplate 18-24 Left Assembly	1
21, 24a, 25e, 26 - 28, 29a, 30 - 35	505350	Short ELR Ext Tube with Angle Adjustable Footplate 18-24 Right Assembly	1
21, 24a, 25e, 25f, 26 - 35	505351	Short ELR Ext Tube with Angle Adjustable Footplate 18-24 Assembly PAIR	1
21, 24a, 25f, 26 - 28, 29b, 30 - 35	505352	Short ELR Ext Tube with Angle Adjustable Footplate 18-24 with Heel Loop Left Assembly	1
21, 24a, 25e, 26 - 28, 29a, 30 - 35	505353	Short ELR Ext Tube with Angle Adjustable Footplate 18-24 with Heel Loop Right Assembly	1
21, 24a, 25e, 25f, 26 - 35	505354	Short ELR Ext Tube with Angle Adjustable Footplate 18-24 with Heel Loop Assembly PAIR	1
20b, 21, 22b, 23	505360	Long ELR Ext Tube with Large Composite Footplate 17-22 Assembly	1
20b, 21, 22b, 23	505361	Long ELR Ext Tube with Large Composite Footplate 17-22 Assembly PAIR	1
20b, 21, 22d, 23, 36	505362	Long ELR Ext Tube with Small Composite Footplate 14-16 with Heel Loop Left Assembly	1
20b, 21, 22c, 23, 36	505363	Long ELR Ext Tube with Small Composite Footplate 14-16 with Heel Loop Right Assembly	1
20b, 21, 22c, 22d, 23, 36	505364	Long ELR Ext Tube with Small Composite Footplate 14-16 with Heel Loop Assembly PAIR	1
20b, 21, 22f, 23	505368	Long ELR Ext Tube with Large Composite Footplate 17-22 with Heel Loop Left Assembly	1
20b, 21, 22e, 23	505369	Long ELR Ext Tube with Large Composite Footplate 17-22 with Heel Loop Right Assembly	1
20b, 21, 22e, 22f, 23	505370	Long ELR Ext Tube with Large Composite Footplate 17-22 with Heel Loop Assembly PAIR	1
21, 24b, 25b, 26 - 28, 29b, 30 - 35	505374	Long ELR Ext Tube with Angle Adjustable Footplate 14/15 Left Assembly	1
21, 24b, 25a, 26 - 28, 29a, 30 - 35	505375	Long ELR Ext Tube with Angle Adjustable Footplate 14/15 Right Assembly	1
21, 24b, 25a, 25b, 26 - 35	505376	Long ELR Ext Tube with Angle Adjustable Footplate 14/15 Assembly PAIR	1
21, 24b, 25b, 26 - 28, 29b, 30 - 35	505377	Long ELR Ext Tube with Angle Adjustable Footplate 14/15 with Heel Loop Left Assembly	1
21, 24b, 25a, 26 - 28, 29a, 30 - 35	505378	Long ELR Ext Tube with Angle Adjustable Footplate 14/15 with Heel Loop Right Assembly	1
21, 24b, 25a, 25b, 26 - 35	505379	Long ELR Ext Tube with Angle Adjustable Footplate 14/15 with Heel Loop Assembly PAIR	1
21, 24b, 25d, 26 - 28, 29b, 30 - 35	505383	Long ELR Ext Tube with Angle Adjustable Footplate 16/17 Left Assembly	1

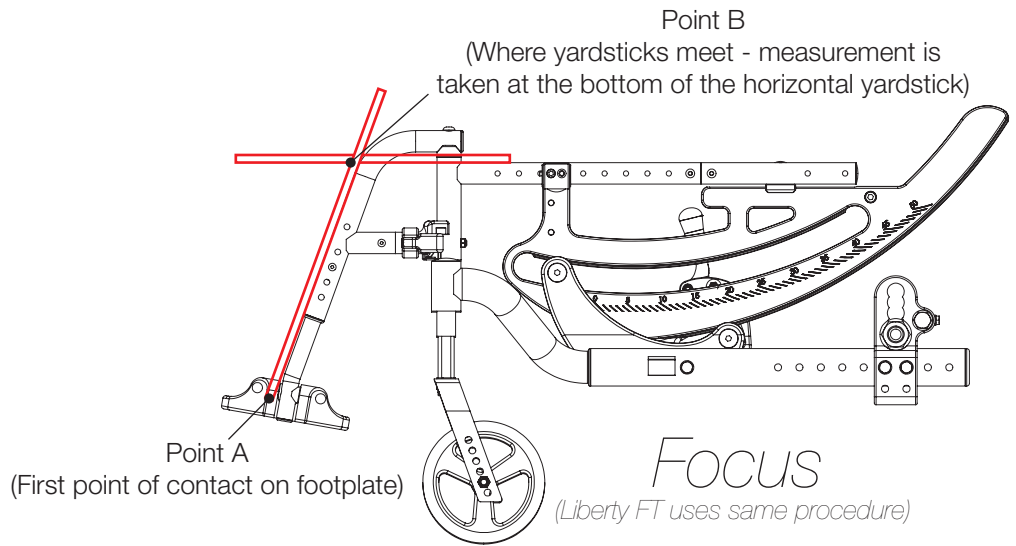
Item Number	Part Number	Description	Quantity
21, 24b, 25c, 26 - 28, 29a, 30 - 35	505384	Long ELR Ext Tube with Angle Adjustable Footplate 16/17 Right Assembly	1
21, 24b, 25c, 25d, 26 - 35	505385	Long ELR Ext Tube with Angle Adjustable Footplate 16/17 Assembly PAIR	1
21, 24b, 25d, 26 - 28, 29b, 30 - 35	505386	Long ELR Ext Tube with Angle Adjustable Footplate 16/17 with Heel Loop Left Assembly	1
21, 24b, 25c, 26 - 28, 29a, 30 - 35	505387	Long ELR Ext Tube with Angle Adjustable Footplate 16/17 with Heel Loop Right Assembly	1
21, 24b, 25c, 25d, 26 - 35	505388	Long ELR Ext Tube with Angle Adjustable Footplate 16/17 with Heel Loop Assembly PAIR	1
21, 24b, 25f, 26 - 28, 29b, 30 - 35	505392	Long ELR Ext Tube with Angle Adjustable Footplate 18-24 Left Assembly	1
21, 24b, 25e, 26 - 28, 29a, 30 - 35	505393	Long ELR Ext Tube with Angle Adjustable Footplate 18-24 Right Assembly	1
21, 24b, 25e, 25f, 26 - 35	505394	Long ELR Ext Tube with Angle Adjustable Footplate 18-24 Assembly PAIR	1
21, 24b, 25f, 26 - 28, 29b, 30 - 35	505395	Long ELR Ext Tube with Angle Adjustable Footplate 18-24 with Heel Loop Left Assembly	1
21, 24b, 25e, 26 - 28, 29a, 30 - 35	505396	Long ELR Ext Tube with Angle Adjustable Footplate 18-24 with Heel Loop Right Assembly	1
21, 24b, 25e, 25f, 26 - 35	505397	Long ELR Ext Tube with Angle Adjustable Footplate 18-24 with Heel Loop Assembly PAIR	1
1a	500553-R	ELR Upper Standard Length Right	1
1b	500553L	ELR Upper Standard Length Left	1
1c	500601R	ELR Upper Extended Length Right	1
1d	500601L	ELR Upper Extended Length Left	1
2	000032	Footrest Hanger Pivot Saddle	1
3	100673	M8 x 45 BTN SHCS BLKZC	1
4	100659	M8 Nylock Nut Blk Zn	1
5	100804	Tube End Plug 1"	1
6	003226INST	Hanger Latch Bracket with 4-way Release Instruction	1
7	003228INST	Hanger Latch, 4-Way, Lever with Instruction	1
8	003227INST	Hanger Latch Pin with 4-Way Release Instruction	1
9	000119	Hanger Spring	1
10	001374	M5 x 40 BHCS P/THD BLKZC	1

Item Number	Part Number	Description	Quantity
11	100657	M5 Nylock Nut Blk Zn	1
12	100667	M6 x 12 BTN SHCS BLKZC w/Patch	1
13	100669	M5 x 10 BTN SHCS BLKZC w/Patch	2
14	101193	Calf Pad Mount Assembly	1
15	000556	ELR Index Spacer	1
16	100668	M6 x 20 CLS10.9 BTN SHCS ZC w/Patch	1
17	000073	M5 x 24 Threaded Barrel	1
18a	101585	Calf Pad	1
18b	101470	Pediatric Calf Pad <i>Used on 14" chair widths with straight frame</i>	1
19	000034	Sleeve 3/4" x 1 1/2"	1
20b	000539	Footrest Extension Tube ELR Long	1
21	100638	Tube End Plug 3/4"	1
22c	003583	Footplate ELR Composite for Heel Loop Small Right	1
22d	003584	Footplate ELR Composite for Heel Loop Small Left	1
22e	003585	Footplate ELR Composite for Heel Loop Large Right	1
22f	003586	Footplate ELR Composite for Heel Loop Large Left	1
23	101586	ELR Footrest Bumper	1
25a	000105	Footplate Angle Adjustable 14-15" Wide CAT/TILT Left (Std ELR Right)	1
25b	000106	Footplate Angle Adjustable 14-15" Wide CAT/TILT Right (Std ELR Left)	1
25c	000107	Footplate Angle Adjustable 16-17" Wide CAT/TILT Left (Std ELR Right)	1
25d	000108	Footplate Angle Adjustable 16-17" Wide CAT/TILT Right (Std ELR Left)	1
25e	000109	Footplate Angle Adjustable 18-24" Wide CAT/TILT Left (Std ELR Right)	1
25f	000110	Footplate Angle Adjustable 18-24" Wide CAT/TILT Right (Std ELR Left)	1
26	100502	Angle Adj Footplate Clamp 2"	1
27	100662	M6 x 25 FSHCS BLK ZC	2
28	100658	M6 Nylock Nut Blk Zn	2
29a	000047	Footplate Angle Adjustable Casting 3/4 Right	1

Item Number	Part Number	Description	Quantity
29b	000049	Footplate Angle Adjustable Casting 3/4" Left	1
30	101472	M6 x 45 SHCS BLK ZC	1
31	101455	M6 Belleville Washer (.252 x .551 x .050)	1
32	000053	Saddle 3/4"	2
33	100746	M6 Flat Washer Blk Zn	1
34	101456	M6 Ovl Top L/N ZC	1
35	000428	Wear Washer	1
36	000621	ELR Spacer Small Footplate <i>Only used with small composite footplate</i>	1

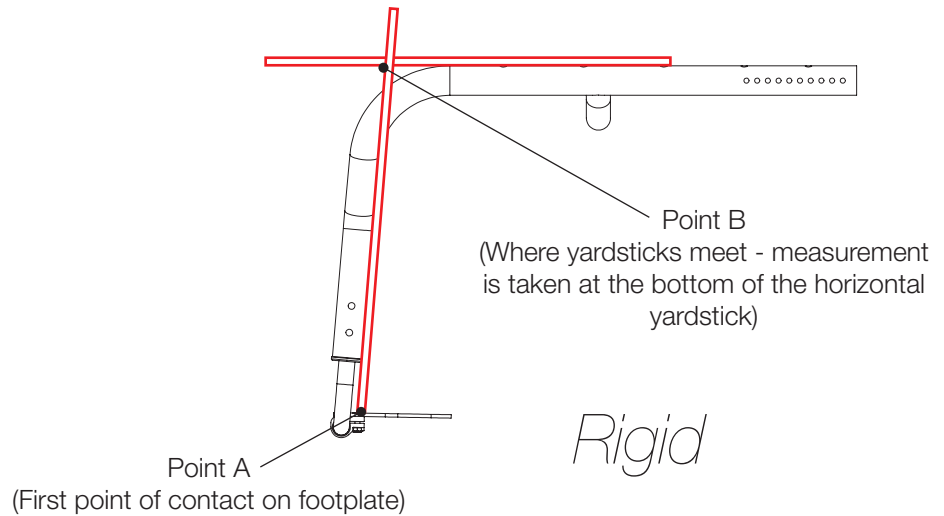
Distance between Point A and Point B = Footplate Length

NOTE: The yardstick on the top plane of the seat frame must lie flat against frame. The yardstick going from the footplate to the second yardstick must be square against the hanger tube.



Distance between Point A and Point B = Footplate Length

NOTE: The yardstick on the top plane of the seat frame must lie flat against frame. The yardstick going from the footplate to the second yardstick must be square against the front tube.



Distance between Point A and Point B = Footplate Length

NOTE: The yardstick on the top plane of the hanger must lie flat against hanger. The yardstick going from the footplate to the second yardstick must be square against the hanger tube.

