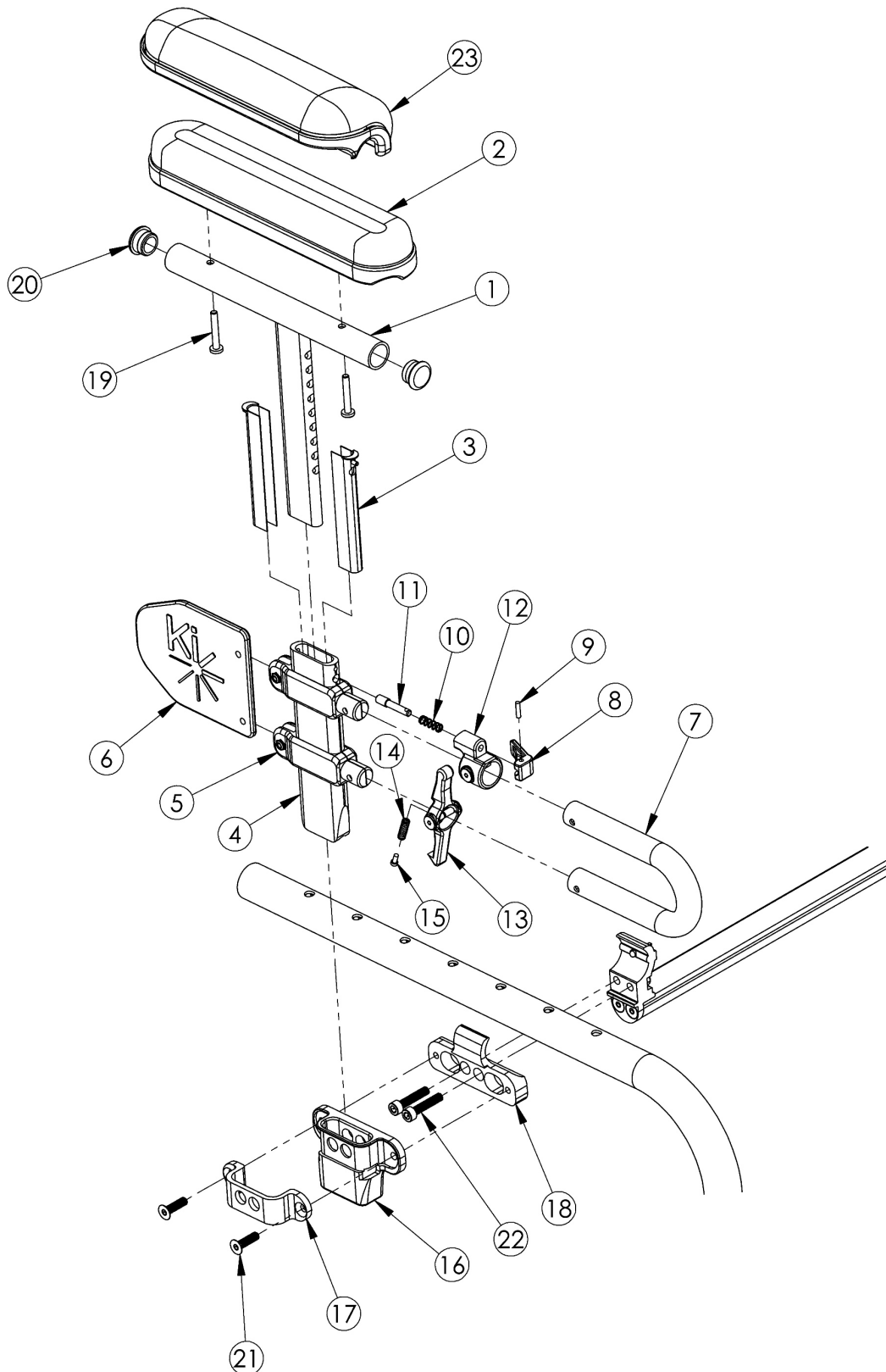


# Clik Height Adjustable Low T-Arm



If retrofitting, Receivers are needed. If retrofitting to Height Adjustable Low T-Arms and One Arm Drive is present, a new drive shaft may be required

Item Number	Part Number	Description	Quantity
1a, 2b, 3-18, 19a, 20-22	121248	Height Adj T-Arm Assm Low Desk w/ Receiver PAIR, Clik	1
1a, 2b, 3-18, 19a, 20-22	121247	Height Adj T-Arm Assm Low Desk w/ Receiver , Clik	1
1a, 2b, 3-15, 19a, 20	121241	Height Adjustable T-Arm Assembly Low, Desk w/ Std Pad	1
1a, 2a, 3-18, 19a, 20-22	503246	Height Adj T-Arm Assm Low Full w/ Receiver PAIR, Clik	1
1a, 2a, 3-18, 19a, 20-22	503244	Height Adj T-Arm Assm Low Full w/ Receiver Clik	1
1b, 2a, 3-15, 19a, 20	503169	Height Adjustable T-Arm Assembly Low Full w/ Std Pad	1
1a, 3-18, 19b, 20-22, 23b	121251	Height Adj T-Arm Assm Low Waterfall Desk w/ Receiver PAIR, Clik	1
1a, 3-18, 19b, 20-22, 23b	121250	Height Adj T-Arm Assm Low Waterfall Desk w/ Receiver , Clik	1
1a, 3-15, 19b, 20, 23b	121243	Height Adjustable T-Arm Assembly Low, Desk w/ Waterfall Pad	1
1a, 3-18, 19b, 20-22, 23a	503252	Height Adj T-Arm Assm Low Waterfall Full w/ Receiver PAIR, Clik	1
1a, 3-18, 19b, 20-22, 23a	503250	Height Adj T-Arm Assm Low Waterfall Full w/ Receiver Clik	1
1b, 3-15, 19b, 20, 23a	503185	Height Adjustable T-Arm Assembly Low Full w/ Waterfall Pad	1
1a, 3-15, 20	114488	Height Adjustable T-Arm, Desk, Low <i>Replaced 002681 / 002682</i>	1
1b, 3-15, 20	002683	Arm T Height Adjustable Low, Full Right Assembly	1
1b, 3-15, 20	114489	Height Adjustable T-Arm, Full, Low <i>Replaced 002683 / 002684</i>	1
16-18, 21, 22	502498	Height Adj T-Arm Receiver Assm CLIK	1
1a, 20	002648	Post Weldment, T-Arm, Low, Desk	1
1b, 20	002649	Post Weldment, T-Arm, Low, Full	1
2a	100500	Arm Pad Full	1
2b	100501	Arm Pad Desk	1
3	000090	Height Adjustable T Armrest Shim	2
4	002105	Tube, Outer, T-Arm, Low	1
7	002104	Transfer Tube, T-Arm, Low	1
9	200257	Dowel Pin 1/8 x 1/2	1

Item Number	Part Number	Description	Quantity
10	000134	Height Adjustable Armrest Lever Spring	1
11	000099	Height Adjustable Armrest Lever Pin	1
12	000096	Height Adjustable T Armrest Pin Lock Housing	1
13	002106	Lever, T-Arm, Low	1
14	000135	Height Adjustable T Armrest Release Lever Spring	1
15	000152	Height Adjustable T Armrest Release Spring Button	1
16	002773	T-Arm Receiver Clik	1
17	002774	T-Arm Bracket Clik	1
18	002772	Standard T-Arm Mount Clik	1
19a	100696	M5 x 30mm PPH Capscrew <i>Used with Standard Arm Pads</i>	2
19b	100654	M5 x 40 DIN7985 PH Pan HD M/S ZC <i>Used with Waterfall Arm Pads</i>	2
20	100803	Tube End Plug 7/8"	2
21	102624	M6 X 22 FHCS BLK ZC	2
22	102627	M6 X 30 SHCS BLK ZC	2
23a	102452	Waterfall Arm Pad Full	1
23b	102521	Waterfall Arm Pad Desk	1
8-12	500541	Arm Height Adjustable T Upper Lever Assembly	1

CLIK		REAR SEAT HEIGHT																	
		11.5	12	12.5	13	13.5	14	14.5	15	15.5	16	16.5	17	17.5	18	18.5	19	19.5	20
WHEEL DIAMETER	18			X	X	X	X	X	X	X	X	X	X	X					
	20							X	X	X	X	X	X	X	X	X	X	X	
	22											X	X	X	X	X	X	X	X
	24															X	X	X	X

X = Low T-Arms are Available

Low T-Arm availability may change depending on chair configuration

See Order Form for Additional No-Go's