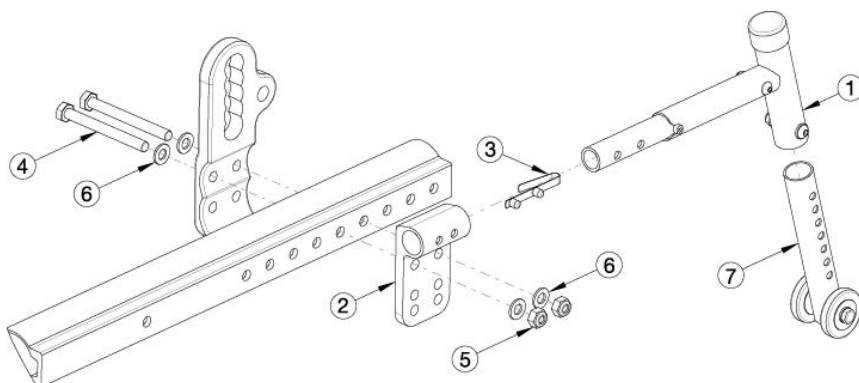


Focus CR Rear Anti-Tip

ITEM 4 UTILIZATION				
CONFIGURATION	QTY 101830	QTY 101831	QTY 101832	QTY 102384
VENT TRAY	4	-	-	-
CABLE TILT	-	4	-	-
FOOT TILT	-	2	2	-
CABLE TILT W/ FOOT LOCK	-	-	4	-
FOOT TILT W/ FOOT LOCK	-	-	2	2



Anti-Tip assemblies are based on rear wheel size. Anti-Tip Receivers are installed on Focus chairs. Receivers are not needed when retrofitting anti-tips to a chair unless removing the Vent Tray and replacing the Vent Tray Anti-tips with the Focus CR Rear Anti-tips.

Item Number	Part Number	Description	Quantity
1, 3, 7	501483	Anti-Tip Assembly 12-16" Each Tilt	1
1, 3, 7	501484	Anti-Tip Assembly 20-22" Each Tilt	1
1, 3, 7	501485	Anti-Tip Assembly 24" Each Tilt	1
1, 3, 7	501135	Anti-Tip Assembly 12-16" Pair Focus	1
1, 3, 7	501136	Anti-Tip Assembly 20-22" Pair Focus	1
1, 3, 7	501137	Anti-Tip Assembly 24" Pair Focus	1
2	001413	Receiver Anti-Tip Long Tilt	1
3	100533	Detent Button	1
4a	101831	M8 x 80 HHCS Blk Zn <i>Used if chair has hand tilt but foot lock is not used.</i>	2
4b	101832	M8 x 90 HHCS Blk Zn <i>Used if chair has hand tilt and foot lock. Used if chair has foot tilt but foot lock is not used.</i>	2
4c	102384	M8 x 100 HHCS Blk Zc Part THD <i>Used if chair has foot tilt and foot lock.</i>	2
5	100659	M8 Nylock Nut Blk Zn	2
6	101858	Washer Flat M8 Blk Zn	4
7	001170	Anti-Tip Lower Extension Assembly, Focus	1