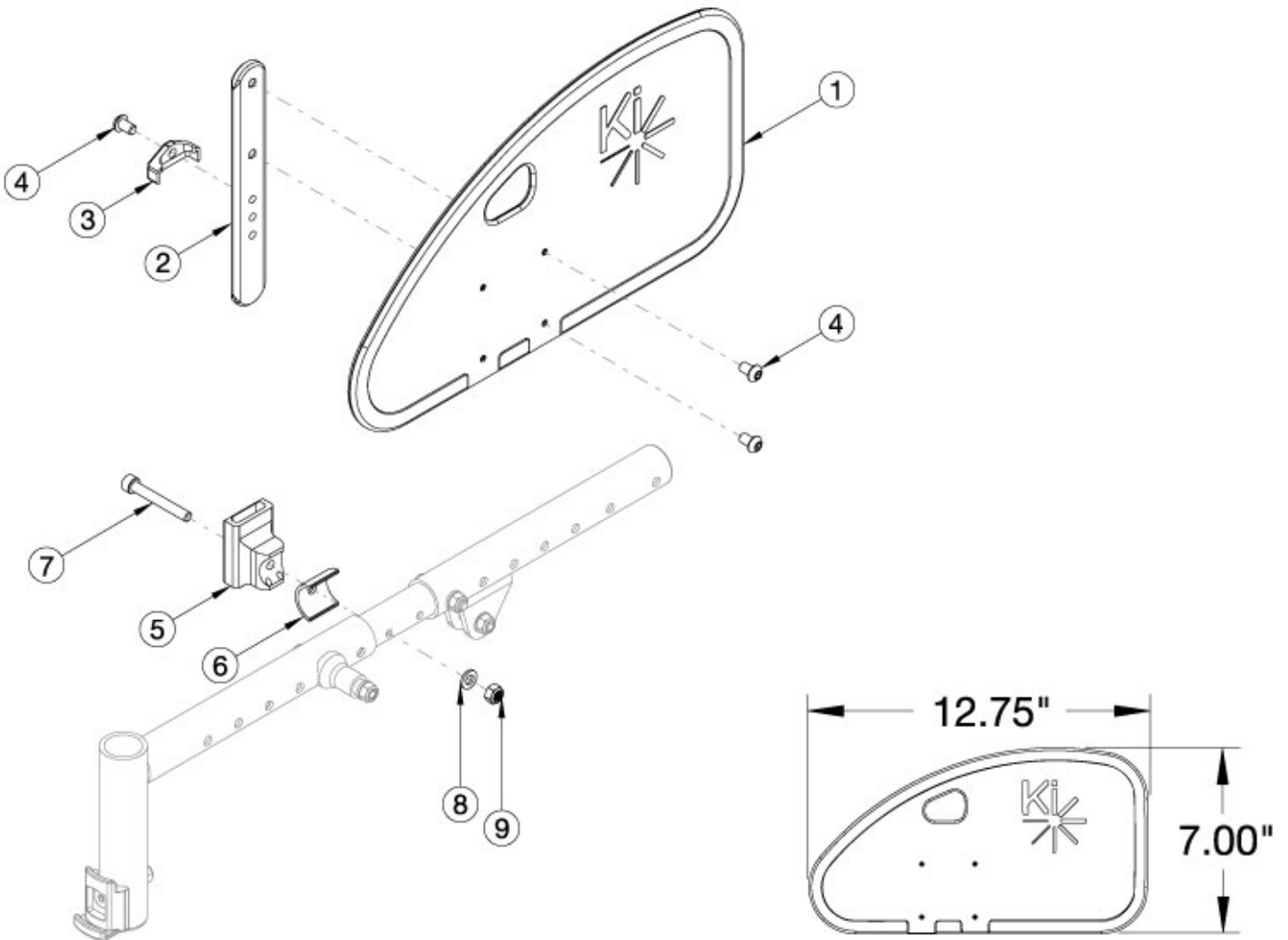


Arc Adult Composite Side Guard



Callout #6: Spacer is needed when the receiver sits on the seat growth tube. Callout #7: Depending upon the placement of the receiver will depend on the length of screw you'll need. More specific information is on the way! Please note there is a receiver screw and spacer kit that includes all potential screw sizes and spacer (you will need qty 2 for a pair).

Item Number	Part Number	Description	Quantity
1, 2 - 4	112578	Side Guard Assembly, Rear Drilled, Left	1
1, 2 - 4	112579	Side Guard Assembly, Rear Drilled, Right	1
1, 2 - 4	112580	Side Guard Assembly, Rear Drilled, PAIR	1
5-9	113915	Side Guard Receiver Assembly, Arc	1
6, 7a, 7b	113916	Side Guard Receiver Screw and Spacer Kit, Arc	1
1	112574	Side Guard Panel Rear Drilled	1

Item Number	Part Number	Description	Quantity
2	000140	Side Guard Post	1
3	001342	Side Guard Post Stop	1
4	101184	M6 x 10 BTN SHCS BLKZC w/Patch	3
5	110241	Receiver, Side Guard	1
6	114443	Tube Spacer, Black, 1" OD x .083" x .80 LG	1
7a	101472	M6 x 45 SHCS BLK ZC	1
7b	102476	M6 X 70 CLS12.9 SHCS BLK ZC	1
8	100746	M6 Flat Washer Blk Zn	1
9	100658	M6 Nylock Nut Blk Zn	1