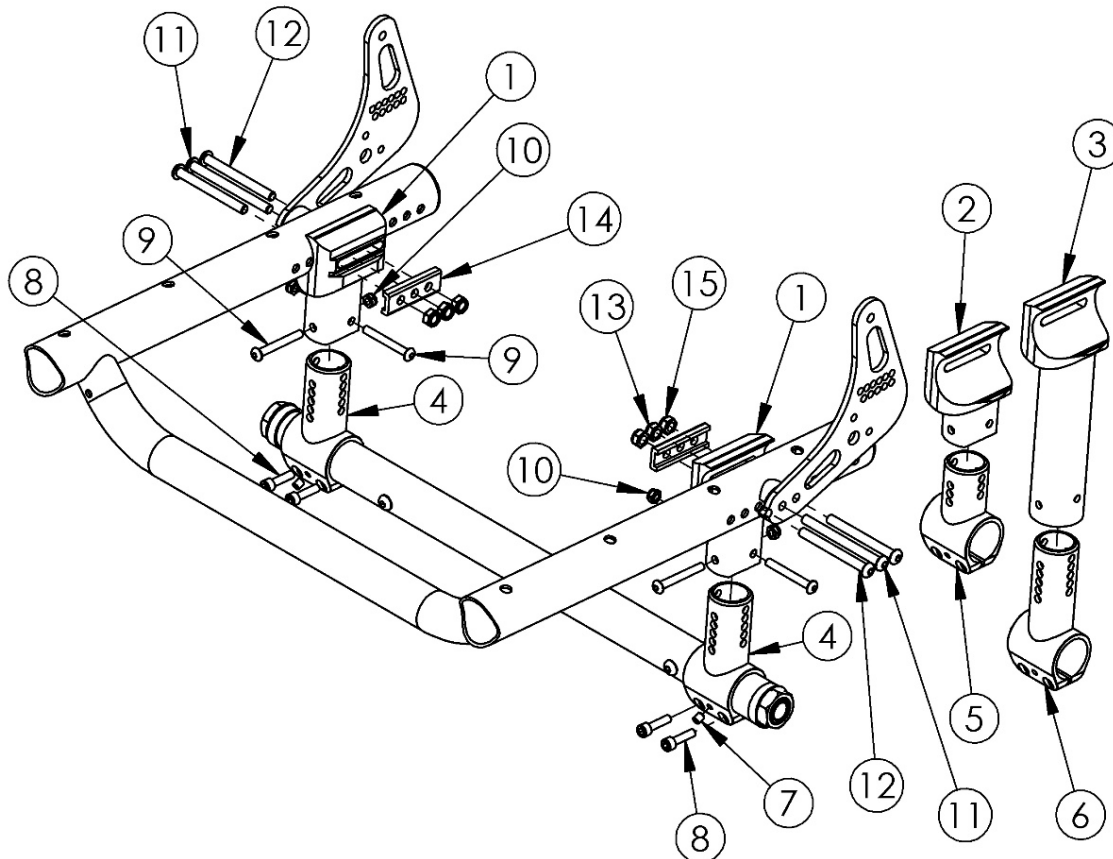


Discontinued Tsunami Standard Tower Sliding Mount



This Tsunami Standard Tower Sliding Mount is discontinued. Please contact Customer Service for more information.

Item Number	Part Number	Description	Quantity
1	000406	Camber Mount Tower Medium, RG ALX	1
2	000405	Camber Mount Tower Short, RG ALX	1
3	000407	Camber Mount Tower Tall, RG ALX	1
4	000412	Camber Mount Tower Clamp Medium, RG ALX	1
5	000411	Camber Mount Tower Clamp Short, RG ALX	1
6	000413	Camber Mount Tower Clamp Tall, RG ALX	1
7	105015	M5 X 6 DIN914 SSS CONE PT PLN	1
8	101120	M5 x 16 SHCS BLZ	2

Item Number	Part Number	Description	Quantity
9	101563	M5 x 42 Low SHCS PT BLKZC	2
10	100657	M5 Nylock Nut Blk Zn	2
11	107139	M6 x 70, BHCS, P/THD BLZ	1
12	003241	M6 x 60 BHCS P/THD Custom Blk Zc	2
13	101456	M6 Ovl Top L/N ZC	1
15	100658	M6 Nylock Nut Blk Zn	2