



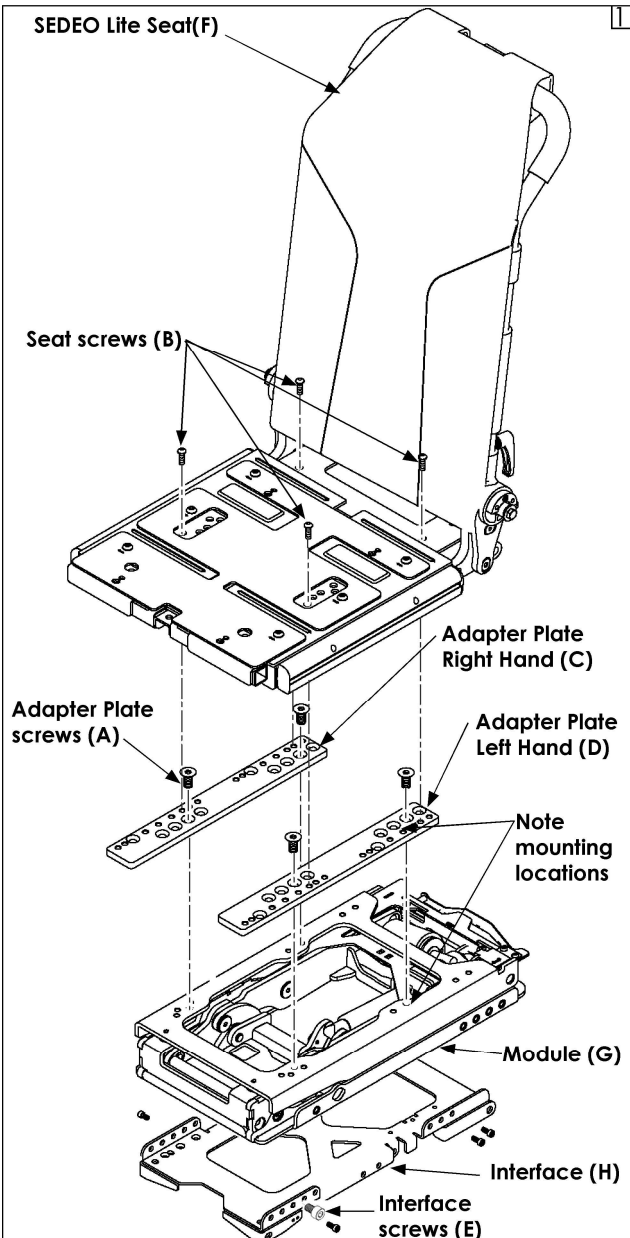
Please read these instructions carefully before beginning the assembly. Failure to understand and follow assembly instructions may result in injury to technician and/or end user and may void the warranty. If you have any questions call Sunrise Medical Technical Support at +1 (800) 333-4000.

Parts:

1. 4 ea Adapter plate screws (A)
2. 4 ea Seat screws (B)
3. 1 ea Adapter plate RH (C)
4. 1 ea Adapter plate LH (D)
5. 6 ea Interface screws (E)
6. 1 ea SEDEO Lite Seat (F)
7. 1 ea Module (Tilt, Lift, Tilt Lift Combo, Filler) (G)
8. 1 ea Interface (H)

Required tools:




1. 5mm hex key
2. 6mm hex key
3. Torque wrench



A. REMOVE SEAT/ADAPTER PLATES/ MODULE

1. **Remove Seat (F):** Note position of seat screws (B) on the seat (F) as well as the position to the adapter plates (C, D). Remove the 4 seat screws (B) holding the seat to the adapter (C, D) and remove the seat (F) (Fig 1). (Use 5mm hex key)
2. **Remove adapter plates (C and D):** If your chair does not have adapter plates (C, D) skip this step, move on to step 3. Note the position of the adapter screws (A) to the plates (C, D) as well as to the module (G). Remove the 4 screws (A) holding the adapter (C, D) to the module (G) and remove the adapter plates (C, D) (Fig 1). (Use 5mm hex key) Note- tilt module is shown, but directions apply to all modules (lift, tilt, tilt lift combo, or filler).
3. **Remove module (G):** Note the position of the interface screws (E) to the interface (H) as well as to the module (G). Remove the 6 screws (E) holding the module (G) to the interface (H) and remove the module (G) (Fig 1). (Use 6mm hex key)
4. **Note position of all mounting locations** if the seat depth is not changing. If the seat depth is changing, see pages 3-8.

B. ASSEMBLE SEAT/ADAPTER PLATES/ MODULE

1. **Assemble module (G) to the interface (H)** using the interface screws (E). See page 2 for mounting location. Torque to 13.6-14.9Nm [120-132 in-lbs]. 
2. **Assemble adapter plates (C, D) to module (G).** If adapter plates (C, D) are not used, skip this step and move on to step 3. See pages 3-8 for mounting location. Torque to 13.6-14.9Nm [120-132 in-lbs]. 
3. **Assemble seat (F) to the adapter plates (C, D) or the module (G)** using the seat screws (B). See pages 3-8 for mounting location, and page 9 for seat depth detail. Torque to 13.6-14.9Nm [120-132 in-lbs]. 

C. INSPECT:

1. All torque values with a torque wrench.
2. Ensure that all the wire harnesses are out of the way and are not being pinched.
3. Verify that the harnesses are not put under tension in any position.
4. Ensure the screws are mounted in the same location as they were before removal or are mounted to new seat depth locations as specified in Mounting Matrices below.

⚠️ DEALER/TECHNICIAN WARNING

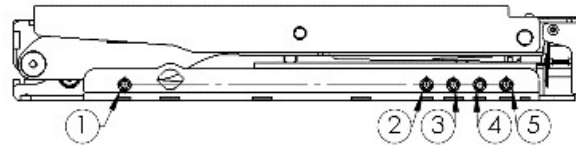
Attention dealers and qualified technicians, do not operate or service this device without first reading the owners manual. If you do not understand the instructions and warnings in the owners manual please contact the Quickie Technical Service Department before operating and/or servicing the Quickie device. Failure to do so may result in damage and/or injury.

Find more information and important warnings see the wheelchair owner's manual or at: www.SunriseMedical.com

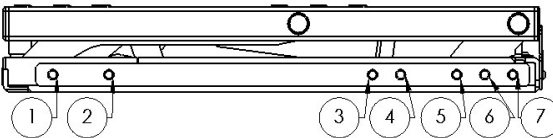
Q700M SEDEO Lite Seat Mounting Matrix

Module to Interface			
	Tilt	TLC	Lift
with Adapter Plates	1 - C	1 - E	1 - E
	4 - F	2 - G	2 - G
	5 - H	3 - H	3 - H
no Adapter Plates	1 - C	1 - D	1 - E
	4 - F	2 - F	2 - G
	5 - H	4 - H	3 - H

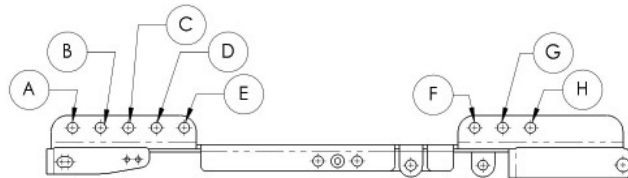
← FRONT OF CHAIR



Lift/ Tilt Lift Combo (TLC)



Tilt



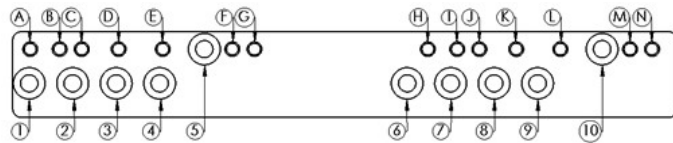
Q700M SEDEO Life Seat Mounting Matrix

Tilt Power Module

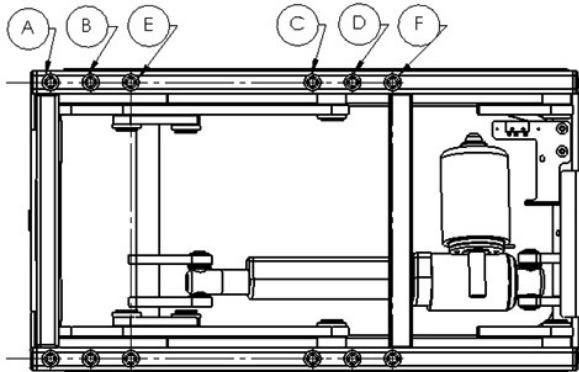
Tilt - no Adapter Plates				
Seat Depth	Backrest Position	Module	Adapter Plate to Module	Seat Pan to Module
16	1	Tilt	N/A	4 - B 2 - D
17	3	Tilt	N/A	4 - B 2 - D
18	5	Tilt	N/A </td <td>4 - B 2 - D</td>	4 - B 2 - D

Tilt - with Adapter Plates				
Seat Depth	Backrest Position	Module	Adapter Plate to Module	Seat Pan to Adapter Plate
19	7	Tilt	5 - B 10 - D	3 - E 1 - L
20	9	Tilt	5 - B 10 - D	3 - D 1 - K
21	11	Tilt	5 - B 10 - D	3 - E 1 - L
22	13	Tilt	5 - B 10 - D	3 - D 1 - K

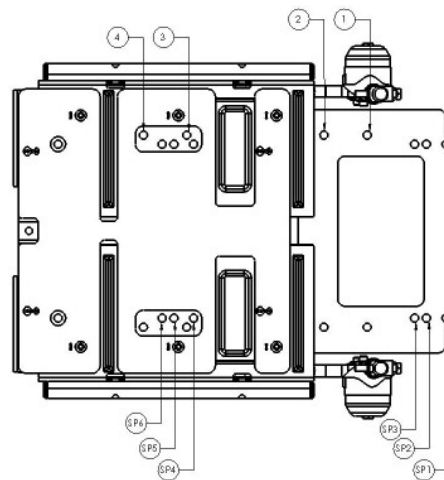
← FRONT OF CHAIR



Adapter Plate - Mount Holes



Tilt Power Module - Mount Holes

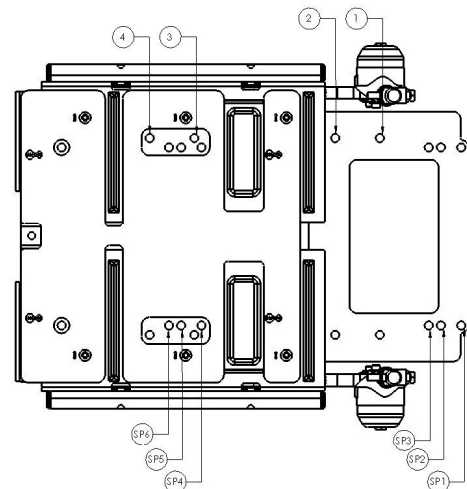
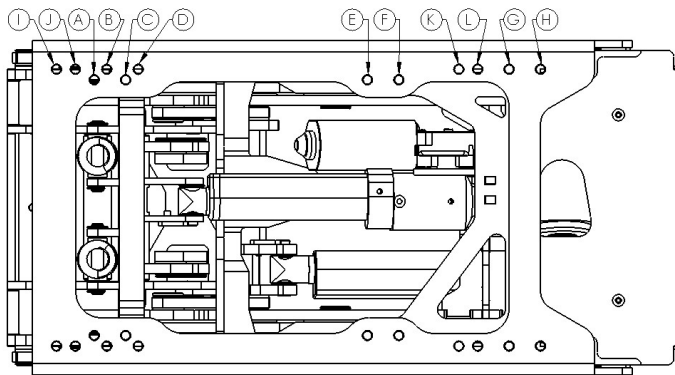
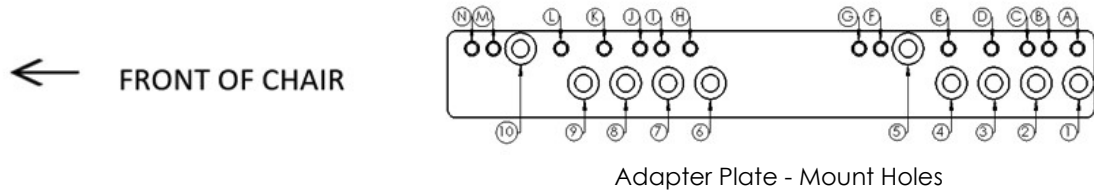


SEDEO Lite Seat Pan - Mount Holes

Q700M SEDEO Life Seat Mounting Matrix
Tilt Lift Combo (TLC)

Tilt Lift Combo (TLC) - no Adapter Plates				
Seat Depth	Backrest Position	Module	Adapter Plate to Module	Seat Pan to Module
16	1	TLC	N/A	SP6 - D SP3 - H
17	3	TLC	N/A	SP6 - D SP3 - H
18	5	TLC	N/A	SP6 - D SP3 - H

Tilt Lift Combo (TLC) - with Adapter Plates				
Seat Depth	Backrest Position	Module	Adapter Plate to Module	Seat Pan to Module
19	7	TLC	7 - A 2 - E	3 - H 1 - A
20	9	TLC	7 - A 2 - E	3 - I 1 - B
21	11	TLC	7 - A 2 - E	3 - K 1 - D
22	13	TLC	7 - A 2 - E	4 - N 2 - G

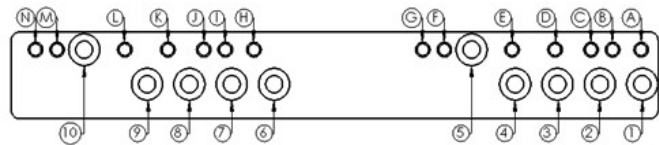


Q700M SEDEO Life Seat Mounting Matrix
Lift Power Module

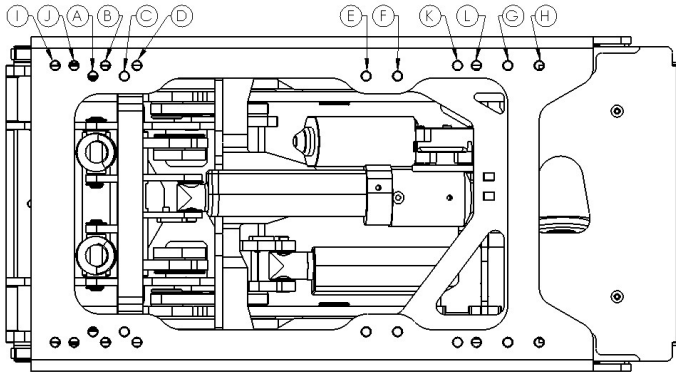
Lift - no Adapter Plates				
Seat Depth	Backrest Position	Module	Adapter Plate to Module	Seat Pan to Module
16	1	Lift	N/A	SP6 - D SP3 - H
17	3	Lift	N/A	SP6 - D SP3 - H
18	5	Lift	N/A	SP6 - D SP3 - H

Lift - with Adapter Plates				
Seat Depth	Backrest Position	Module	Adapter Plate to Module	Seat Pan to Module
19	7	Lift	9 - A 4 - E	3 - J 1 - C
20	9	Lift	9 - A 4 - E	3 - J 1 - C
21	11	Lift	9 - A 4 - E	3 - K 1 - D
22	13	Lift	9 - A 4 - E	3 - L 1 - E

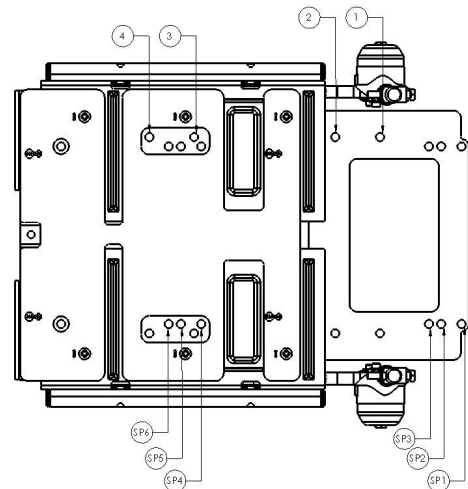
← FRONT OF CHAIR



Adapter Plate - Mount Holes



TLC Power Module - Mount Holes



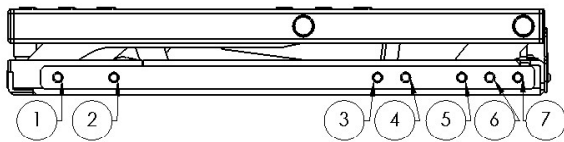
SEDEO Lite Seat Pan - Mount Holes

Q500M SEDEO Lite Seat Mounting Matrix

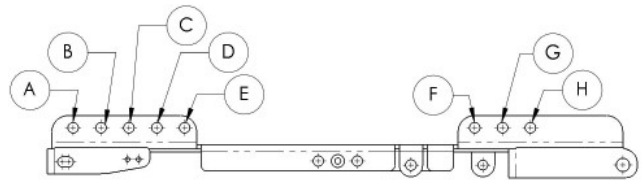
Tilt Power Module

Tilt - no Adapter Plates				
Seat Depth	Backrest Position	Module	Module to Interface	Seat Pan to Module
16	1	Tilt	1 - B 5 - G 6 - H	4 - B 2 - D
17	3	Tilt	1 - B 5 - G 6 - H	4 - B 2 - D
18	5	Tilt	1 - B 5 - G 6 - H	4 - B 2 - D

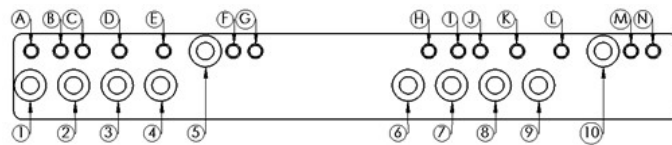
Tilt - with Adapter Plates					
Seat Depth	Backrest Position	Module	Module to Interface	Adapter Plate to Module	Seat Pan to Adapter Plate
19	7	Tilt	1 - B 5 - G 6 - H	5 - B 10 - D	3 - G 1 - N
20	9	Tilt	1 - B 5 - G 6 - H	5 - B 10 - D	4 - D 2 - K
21	11	Tilt	1 - B 5 - G 6 - H	5 - B 10 - D	4 - B 2 - I
22	13	Tilt	1 - B 5 - G 6 - H	5 - B 10 - D	3 - D 1 - K



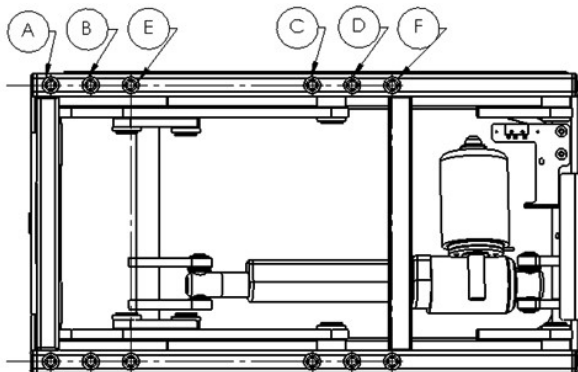
Tilt



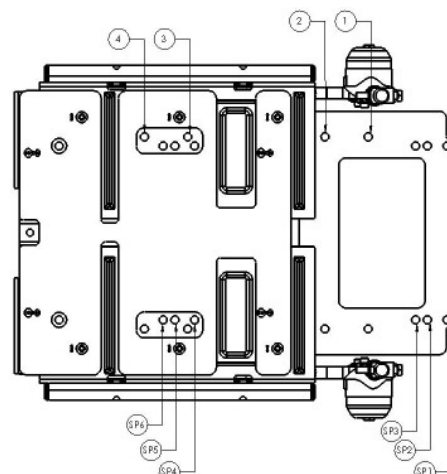
← FRONT OF CHAIR



Adapter Plate - Mount Holes



Tilt Power Module - Mount Holes



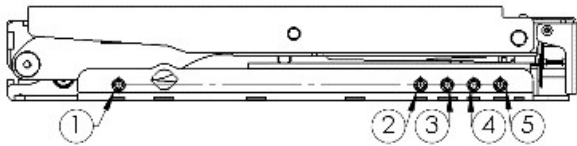
SEDEO Lite Seat Pan - Mount Holes

Q500M SEDEO Lite Seat Mounting Matrix
Tilt Lift Combo (TLC) and Lift Only Power Module

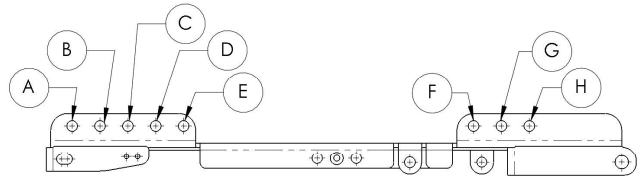
Tilt Lift Combo (TLC) and Lift Only - no Adapter Plates				
Seat Depth	Backrest Position	Module	Module to Interface	Seat Pan to Module
16	1	Lift/TLC	1 - E 2 - G 3 - H	SP6 - D SP3 - H
17	3	Lift/TLC	1 - D 2 - F 4 - H	SP6 - D SP3 - H
18	5	Lift/TLC	1 - D 2 - F 4 - H	SP6 - D SP3 - H

Tilt Lift Combo (TLC) and Lift Only - with Adapter Plates					
Seat Depth	Backrest Position	Module	Module to Interface	Adapter Plate to Module	Seat Pan to Adapter Plate
19	7	Lift/TLC	1 - E 2 - G 3 - H	7 - A 2 - E	3 - I 1 - B
20	9	Lift/TLC	1 - E 2 - G 3 - H	7 - A 2 - E	3 - J 1 - C
21	11	Lift/TLC	1 - E 2 - G 3 - H	7 - A 2 - E	4 - M 2 - F
22	13	Lift/TLC	1 - E 2 - G 3 - H	7 - A 2 - E	3 - L 1 - E

← FRONT OF CHAIR

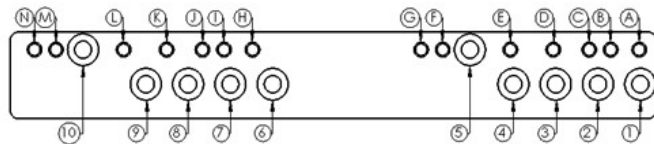


Lift/ Tilt Lift Combo (TLC)

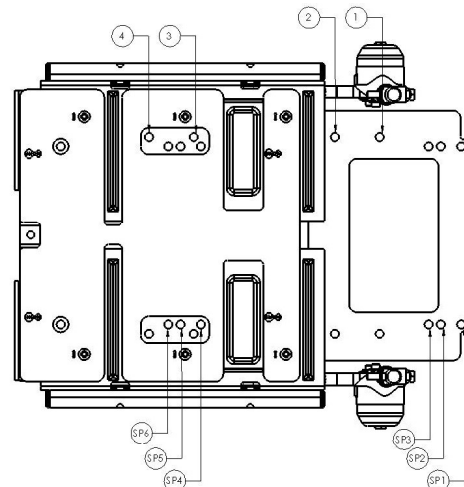
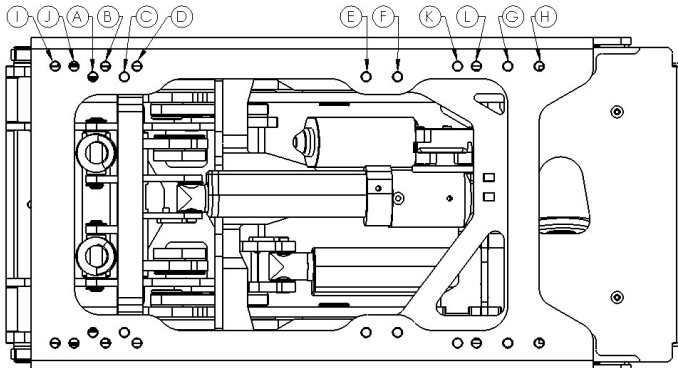


Adapter Plate - Mount Holes

← FRONT OF CHAIR



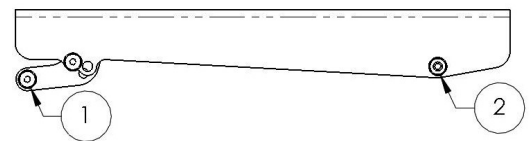
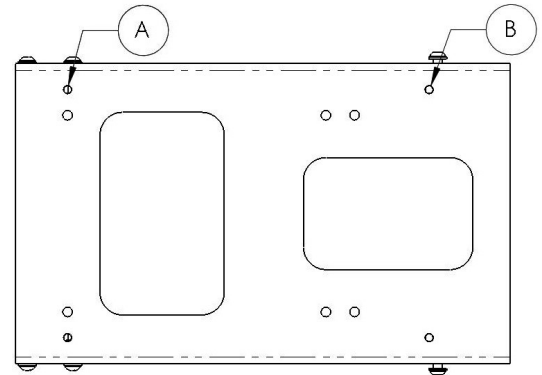
TLC Power Module – Mount Holes



SEDEO Lite Seat Pan - Mount Holes

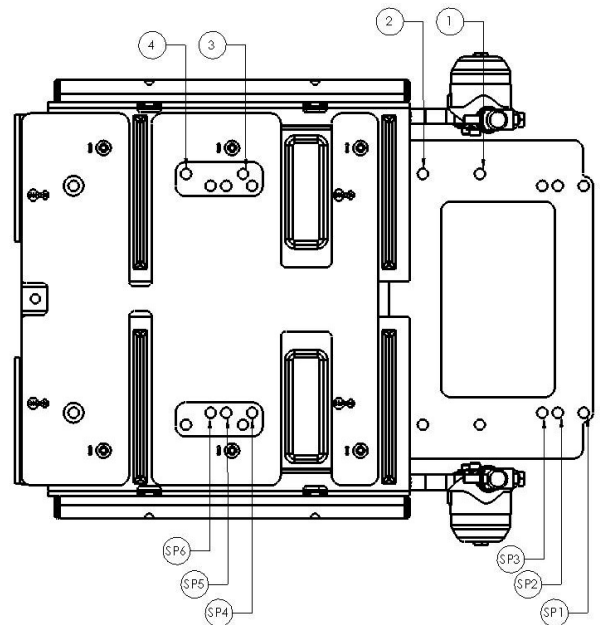
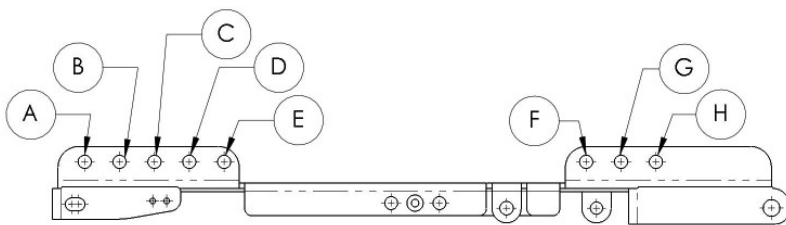
Q700M/Q500M SEDEO Lite Seat Mounting Matrix
Filler Module

Filler Module - No Adapter Plates				
Seat Depth	Backrest Position	Module	Filler Module to Interface	Seat Pan to Filler Module
16	1	Filler	E - 1 H - 2	SP3 - B SP6 - A
17	3	Filler	E - 1 H - 2	SP3 - B SP6 - A
18	5	Filler	E - 1 H - 2	SP2 - B SP5 - A
19	7	Filler	E - 1 H - 2	SP1 - B SP4 - A
20	9	Filler	D - 1 G - 2	SP1 - B SP4 - A
21	11	Filler	C - 1 F - 2	SP1 - B SP4 - A
22	13	Filler	C - 1 F - 2	SP1 - B SP4 - A



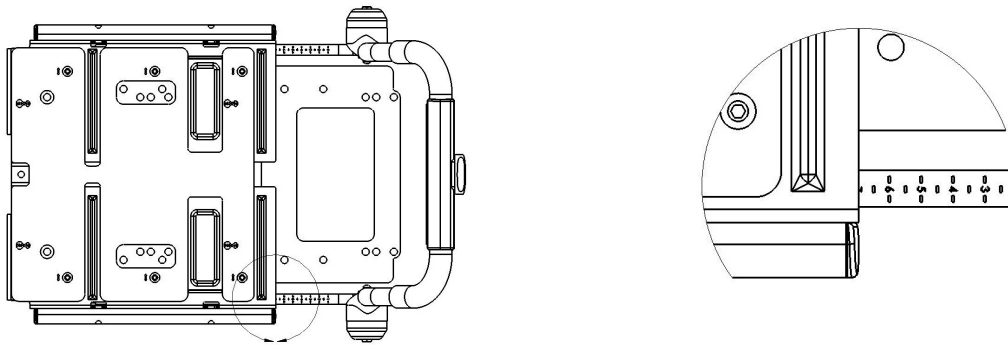
← FRONT OF CHAIR

Filler Module

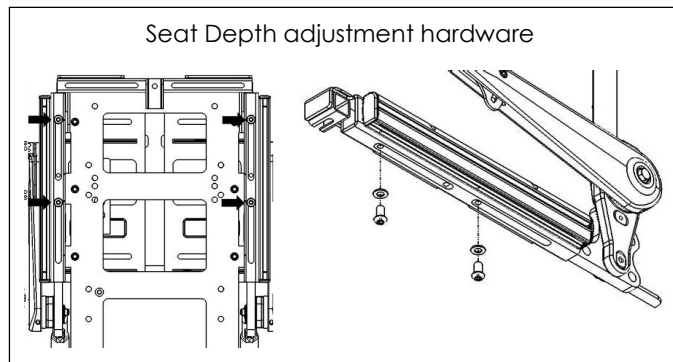


SEDEO Lite Seat Pan - Mount Holes

SEDEO Lite Backrest Seat Depth Adjustment
Seat Depth Detail



← FRONT OF CHAIR



⚠ DEALER/TECHNICIAN WARNING

Attention dealers and qualified technicians, do not operate or service this device without first reading the owners manual. If you do not understand the instructions and warnings in the owners manual please contact the Quickie Technical Service Department before operating and/or servicing the Quickie device. Failure to do so may result in damage and/or injury.

Find more information and important warnings see the wheelchair owner's manual or at: www.Sunrisemedical.com.