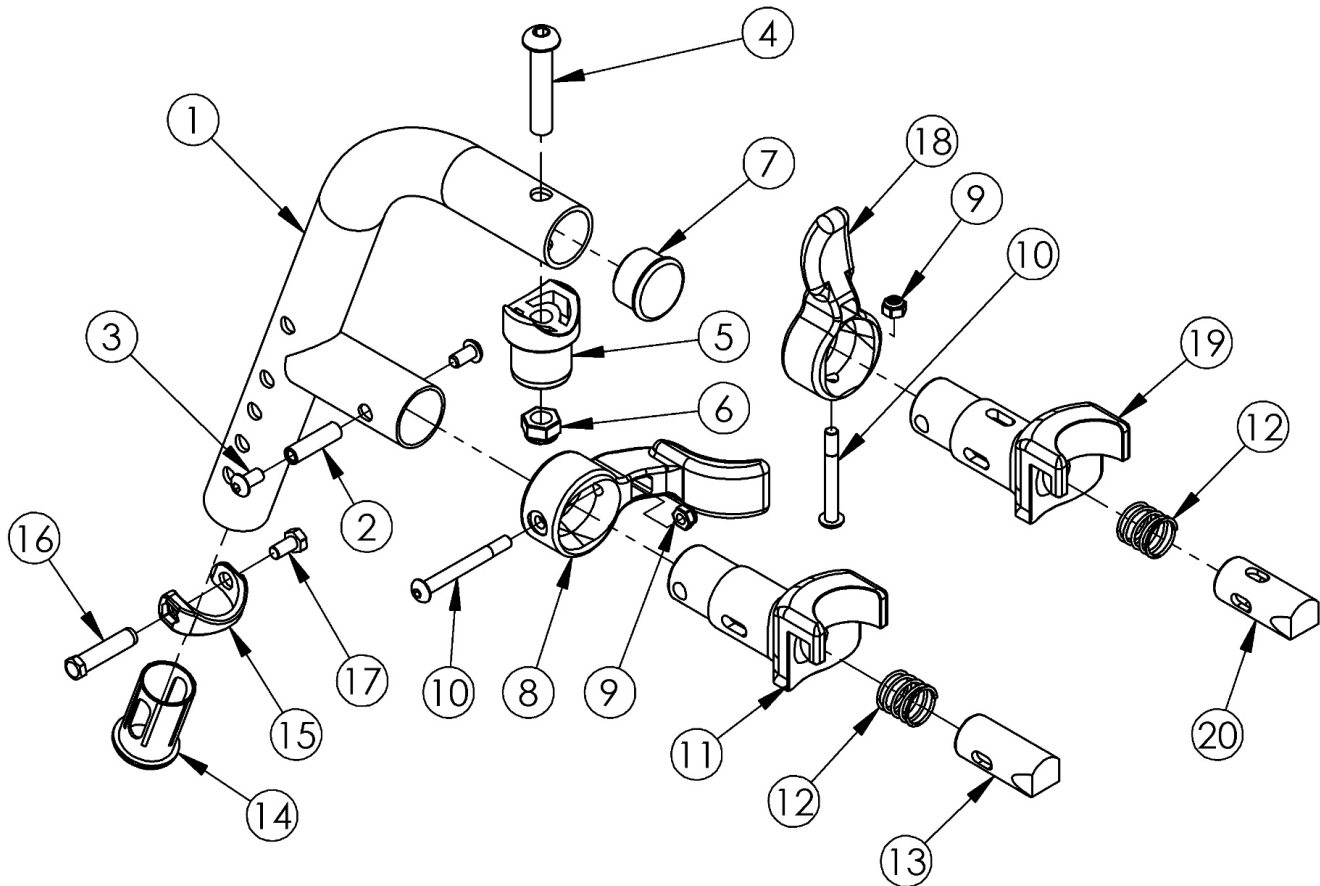


Titanium 70 Degree Extension Mount Hanger



Please Note: If chair was built with a fixed front frame or hangers were omitted, then latch blocks need to be ordered with hangers. Please reference the side frame parts manual page. If changing degree of hanger, new extension tubes may be needed

Item Number	Part Number	Description	Quantity
1 - 17	100381	Hanger Assembly Titanium 70 Extension Mount Right	1
1 - 17	100382	Hanger Assembly Titanium 70 Extension Mount Left	1
1-7, 9, 10, 12, 14-20	504741	Hanger Assm Titanium 70 Extension Mount 4-Way - In-Line	1
1-7, 9, 10, 12, 14-20	504742	Hanger Assm Titanium 70 Extension Mount 4-Way - Out Left	1
1-7, 9, 10, 12, 14-20	504743	Hanger Assm Titanium 70 Extension Mount 4-Way - Out Right	1
1, 7, 14	501019	Hanger Tube Assembly Titanium 70 Extension Mount	1
8 - 13	003417	Classic Hanger Latch Assembly, Left	1
8 - 13	003416	Classic Hanger Latch Assembly, Right	1

Item Number	Part Number	Description	Quantity
9, 10, 12, 14-20	003225	Assembled 4-Way In Line Hanger Release	1
9, 10, 12, 14-20	003225INST	Assembled 4-Way In Line Hanger Release with Instruction	1
9, 10, 12, 14-20	003643	Assembled 4-Way Out Hanger Release, Left	1
9, 10, 12, 14-20	003643INST	Assembled 4-Way Out Hanger Release, Left with Instruction	1
9, 10, 12, 14-20	003642	Assembled 4-Way Out Hanger Release, Right	1
9, 10, 12, 14-20	003642INST	Assembled 4-Way Out Hanger Release, Right with Instruction	1
2	000073	M5 x 24 Threaded Barrel	1
3	100669	M5 x 10 BTN SHCS BLKZC w/Patch	2
4	100673	M8 x 45 BTN SHCS BLKZC	1
5	000032	Footrest Hanger Pivot Saddle	1
6	100659	M8 Nylock Nut Blk Zn	1
7	100804	Tube End Plug 1"	1
8	001158	Lever Swing Away Short	1
9	100657	M5 Nylock Nut Blk Zn	1
10	001374	M5 x 40 BHCS P/THD BLKZC	1
12	000119	Hanger Spring	1
14	000034	Sleeve 3/4" x 1 1/2"	1
15	000988	Fastener Retainer	1
16	000987	Threaded Fastener	1
17	200427	M5 x 10 CLS8.8 HHCS ZC w/Patch DIN933	1
18	003228	Hanger Latch, 4-Way, Lever	1
18	003228INST	Hanger Latch, 4-Way, Lever with Instruction	1
19	003226	Hanger Latch, 4-Way, Bracket	1
19	003226INST	Hanger Latch, 4-Way, Bracket with Instruction	1
20	003227	Hanger Latch, 4-Way, Pin	1
20	003227INST	Hanger Latch, 4-Way, Pin with Instruction	1