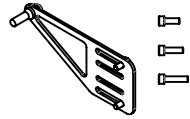




Please read these instructions carefully before beginning the installation. Failure to understand and follow installation instructions may result in injury to installer and/or end user and may void the warranty. If you have any questions call Sunrise Medical Technical Support at 800-333-4000.

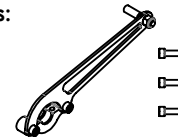
Sedeo Ergo headrest mounting parts:

1. 1 or 2 ea Plate Assembly w/12mm screws (incl)
2. 2 ea Socket head screw 16mm
3. 2 ea Socket head screw 20mm
4. 2 ea Socket head screw 25mm



Whitmyer headrest mounting parts:

1. 1 or 2 ea Plate Assembly w/5/8" screws (incl)
2. 2 ea Socket head screw 3/4"
3. 2 ea Socket head screw 7/8"
4. 2 ea Socket head screw 1"



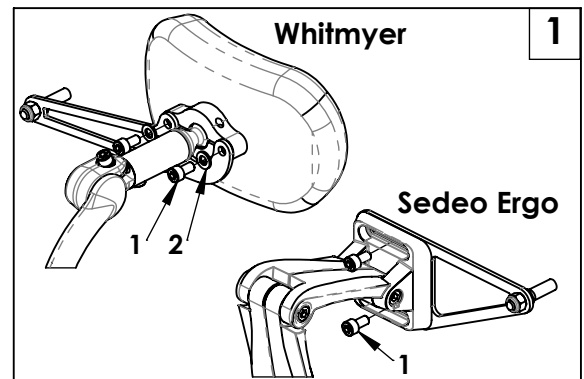
Tools required:

1. 5mm Hex key
2. 3/16" Hex key
3. Torque wrench

A. PRE-INSTALLATION 1

1. Prep the headrest:

- a. Using the 5mm hex key remove the two screws (1) holding the plate to the headrest, Fig 1.
- b. Screws may be discarded. Save washers (2) (Whitmyer only).



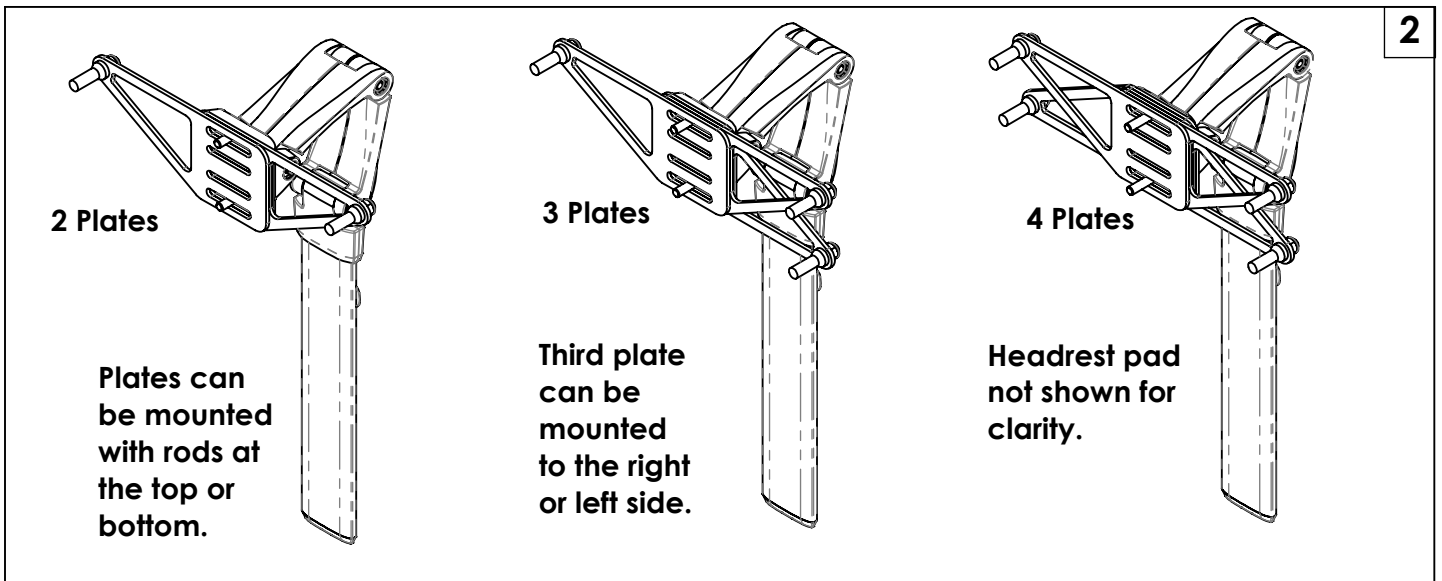
B. MOUNT ADDED PLATES: 2 3

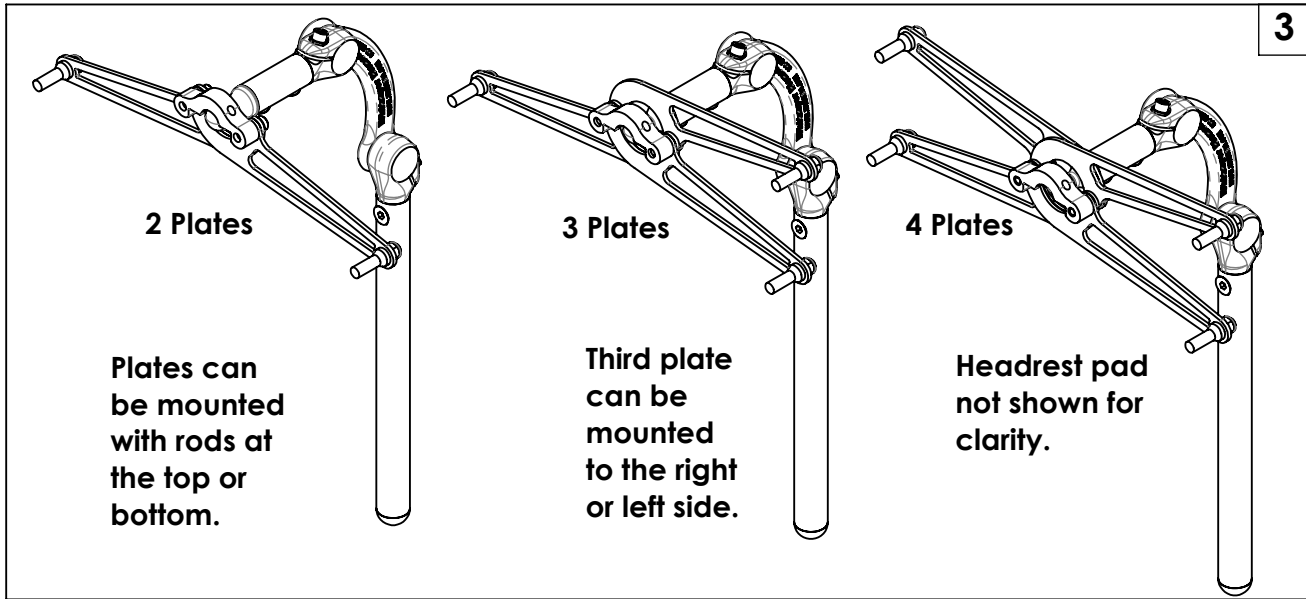
1. Assembly of plates:

- a. Add the amount of plate assemblies desired. Headrests can accommodate up to four plate assemblies, Figs 2 and 3.
- b. **Sedeo Ergo (Fig 2)** - For two plates use 16mm mounting screws. Three plates uses the 20mm screws, and four plates uses the 25mm screws. (Use 5mm hex key)
- c. **Whitmyer (Fig 3)** - For two plates use the 3/4" screws, for three plates use the 7/8" screws, and for four plates use the 1" screws. Install screws using washers saved from Step A. 1. b. (Use 3/16" hex key)
- d. Torque the screws in steps b and c to 60-70 in-lbs (6.8-7.9 Nm).



Note: Plates can be mounted in any configuration needed. On the right side or left side, or with mounting rods at the top or bottom.





C. USE

1. Add SWITCH-IT and LINK-IT components as needed, Fig 4. Be sure to follow manufacturer's guidelines.

D. INSPECT

1. With the torque wrench double-check torque on all hardware.



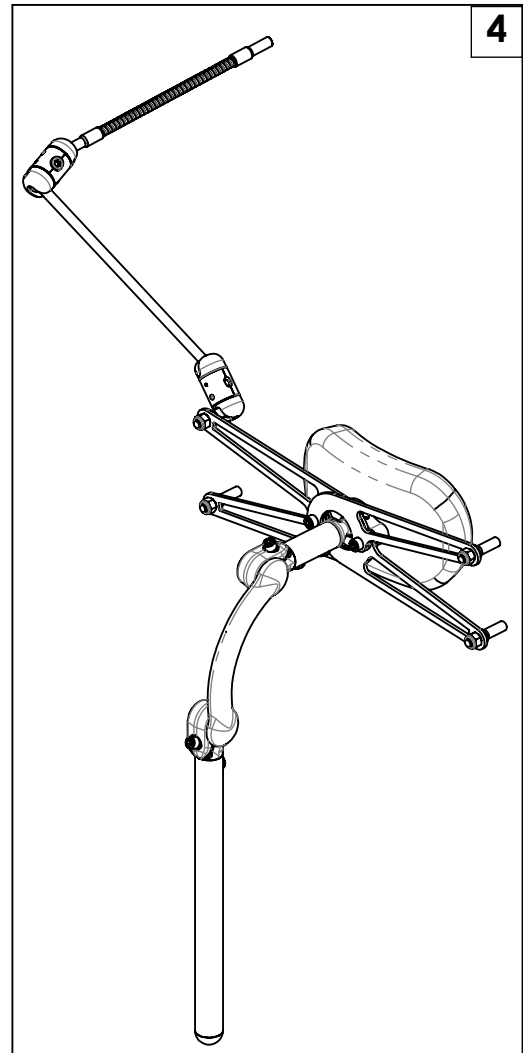
DEALER/TECHNICIAN WARNING



WARNING

Attention dealers and qualified technicians, do not operate or service this device without first reading the owners manual. If you do not understand the instructions and warnings in the owners manual please contact the Customer Service Department before operating and/or servicing the device. Failure to do so may result in damage and/or injury.

For more information and important warnings, you can find the LINK-IT and SWITCH-IT owner's manuals at: www.Sunrisemedical.com



**Sunrise Medical 2842 Business Park Ave Fresno, CA 93727 USA
In Canada (800) 263-3390**