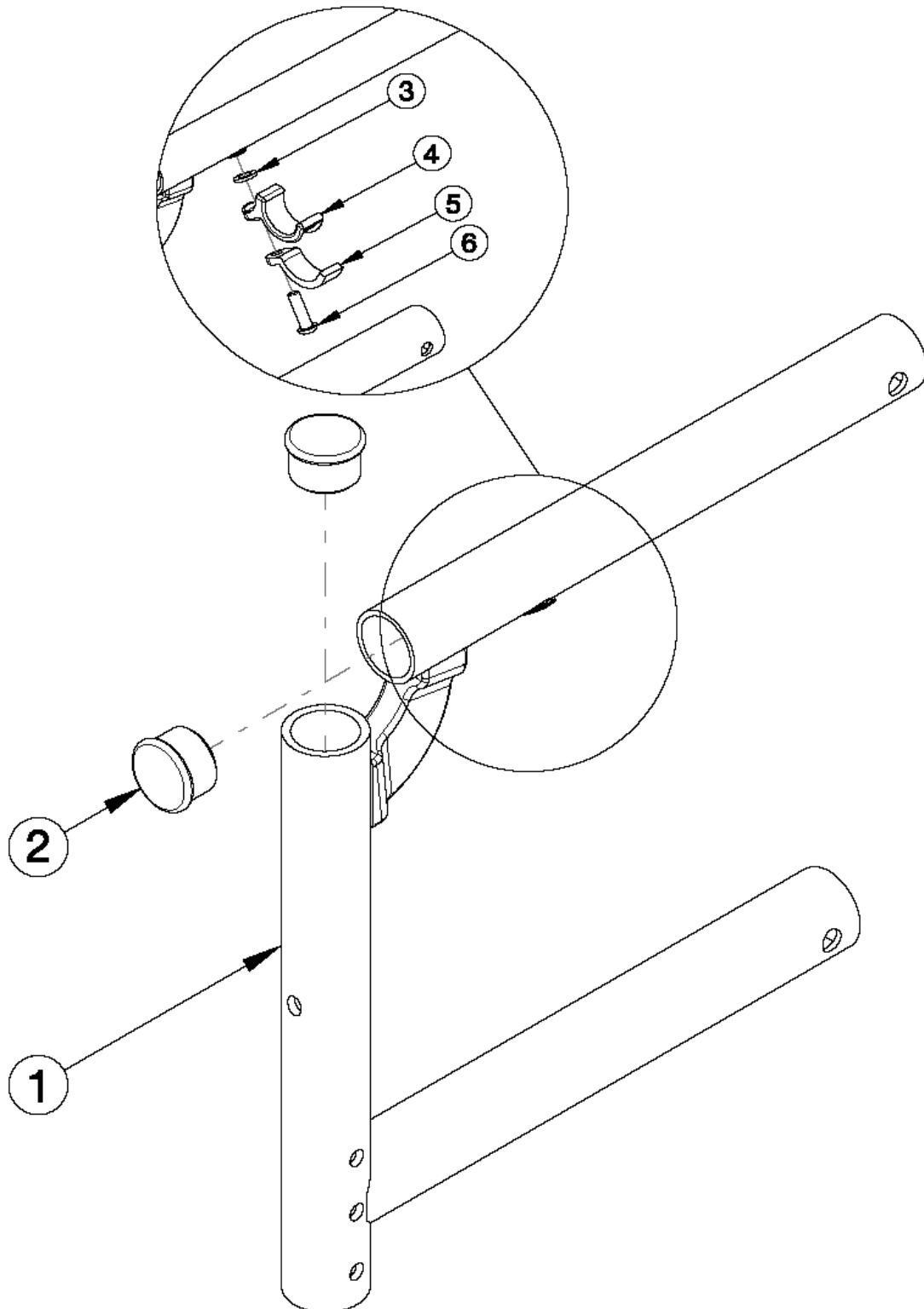


Catalyst 5Ti Heavy Duty Swing Away Front Frame



This Heavy Duty front frame design effective starting with serial number C50099247 with the 350 lbs Weight Capacity option. <p> Frame assemblies are based on Seat Depth. If switching to a new Seat Depth, new Height Adjustable T-Arms or Height Adjustable Flip Back T-Arms may be needed. <p>

If chair has Flip Back or the discontinued Height Adjustable Flip Back armrests, select a frame assembly with the Flip Back Arm Modification. This modification does not apply to Height Adjustable Flip Back T-Arms.<p>

If retrofitting from a Fixed Front Frame, new caster housings and attaching hardware is required.

Item Number	Part Number	Description	Quantity	Retail
3, 4, 5, 6	114528	Seat Hook and Support Hardware Kit, Standard, for Heavy Duty Catalyst <i>This kit contains quantity of 1 each</i>	1	\$17.93
1a, 2	114553	Frame Assembly, Heavy Duty, Catalyst Ti Front, Left 14	1	\$485.83
1b, 2	114554	Frame Assembly, Heavy Duty, Catalyst Ti Front, Left 15	1	\$655.55
1c, 2	114555	Frame Assembly, Heavy Duty, Catalyst Ti Front, Left 16	1	\$655.55
1d, 2	114556	Frame Assembly, Heavy Duty, Catalyst Ti Front, Left 17	1	\$655.55
1e, 2	114557	Frame Assembly, Heavy Duty, Catalyst Ti Front, Left 18	1	\$493.35
1f, 2	114558	Frame Assembly, Heavy Duty, Catalyst Ti Front, Left 19	1	\$539.09
1g, 2	114559	Frame Assembly, Heavy Duty, Catalyst Ti Front, Left 20	1	\$655.55
1h, 2	114560	Frame Assembly, Heavy Duty, Catalyst Ti Front, Right 14	1	\$485.83
1i, 2	114561	Frame Assembly, Heavy Duty, Catalyst Ti Front, Right 15	1	\$655.55
1j, 2	114562	Frame Assembly, Heavy Duty, Catalyst Ti Front, Right 16	1	\$655.55
1k, 2	114563	Frame Assembly, Heavy Duty, Catalyst Ti Front, Right 17	1	\$655.55
1l, 2	114564	Frame Assembly, Heavy Duty, Catalyst Ti Front, Right 18	1	\$493.35
1m, 2	114565	Frame Assembly, Heavy Duty, Catalyst Ti Front, Right 19	1	\$539.09
1n, 2	114566	Frame Assembly, Heavy Duty, Catalyst Ti Front, Right 20	1	\$655.55
1c, 2	114567	Frame Assembly, Heavy Duty, Catalyst Ti Front with Flip Back Arm Modification, Left 16	1	\$655.55
1d, 2	114568	Frame Assembly, Heavy Duty, Catalyst Ti Front with Flip Back Arm Modification, Left 17	1	\$655.55
1e, 2	114569	Frame Assembly, Heavy Duty, Catalyst Ti Front with Flip Back Arm Modification, Left 18	1	\$493.35
1f, 2	114570	Frame Assembly, Heavy Duty, Catalyst Ti Front with Flip Back Arm Modification, Left 19	1	\$539.09
1g, 2	114571	Frame Assembly, Heavy Duty, Catalyst Ti Front with Flip Back Arm Modification, Left 20	1	\$655.55
1j, 2	114572	Frame Assembly, Heavy Duty, Catalyst Ti Front with Flip Back Arm Modification, Right 16	1	\$655.55
1k, 2	114573	Frame Assembly, Heavy Duty, Catalyst Ti Front with Flip Back Arm Modification, Right 17	1	\$655.55

Item Number	Part Number	Description	Quantity	Retail
1l, 2	114574	Frame Assembly, Heavy Duty, Catalyst Ti Front with Flip Back Arm Modification, Right 18	1	\$493.35
1m, 2	114575	Frame Assembly, Heavy Duty, Catalyst Ti Front with Flip Back Arm Modification, Right 19	1	\$539.09
1n, 2	114576	Frame Assembly, Heavy Duty, Catalyst Ti Front with Flip Back Arm Modification, Right 20	1	\$655.55
2	100804	Tube End Plug 1" <i>Quantity 2 per side when omitting hangers</i>	1	\$1.58
3	100831	1/2" Washer OD .040" Thick	1	\$1.58
4	000003	Seat Hook, Catalyst	1	\$7.70
5	000004	Seat Hook Support, Catalyst	1	\$6.55
6	101180	M6 x 20 SHCS BLK ZC	1	\$2.10