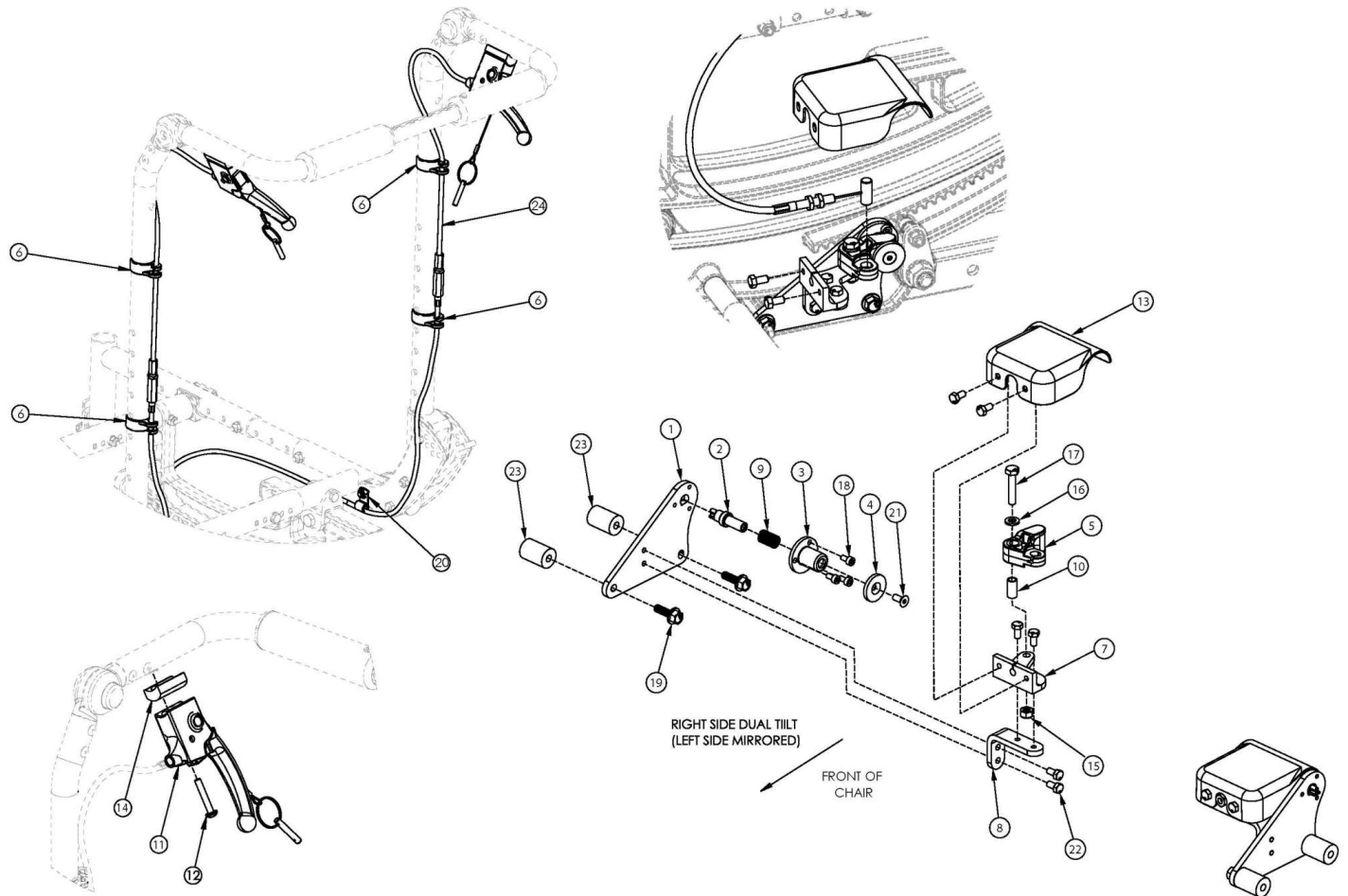


(Discontinued 2) Focus CR Dual Hand Tilt Mechanism Fixed Height with Adjustable Handle Back



This Focus CR Hand Tilt is discontinued. This design was effective starting with serial numbers FCR0025162 and FCHD002316 to FCR0026598 and FCHD002332.

| Item Number | Part Number | Description | Quantity |
|---|-------------|---|----------|
| 1-5, 7a, 7b, 8-10, 13, 15-18, 19a, 21, 22 | 506274 | Dual Tilt Lock Mechanism Kit, Focus <i>For complete dual hand tilt mechanism, select appropriate Hand Tilt Cable/Trigger Kit in addition to this kit</i> | 1 |
| 1-5, 7a, 7b, 8-10, 13, 15-18, 19b, 21-23 | 506275 | Dual Tilt Lock Mechanism Kit, Heavy Duty, Focus <i>For complete dual hand tilt mechanism, select appropriate Hand Tilt Cable/Trigger Kit in addition to this kit</i> | 1 |
| 6, 11, 12, 14, 20, 24a | 506257 | Hand Tilt Cable/Trigger Kit with Long Cable, Fixed Height w/Adj Handle, Focus <i>Used with Short Fixed Height with Adjustable Handle</i> | 2 |
| 6, 11, 12, 14, 20, 24b | 506258 | Hand Tilt Cable/Trigger Kit with XL Cable, Fixed Height w/Adj Handle, Focus <i>Used with Tall Fixed Height with Adjustable Handle</i> | 2 |

| Item Number | Part Number | Description | Quantity |
|---|-------------|---|----------|
| 1 | 004280 | Mount Plate, Tilt Lock | 2 |
| 2 | 004281 | Pin, Plunger, Tilt Lock | 2 |
| 3 | 004282 | Housing, Plunger, Tilt Lock | 2 |
| 4 | 004283 | Thrust Washer, Tilt Lock | 2 |
| 5 | 004284 | Cam Lever, Drive, Tilt Lock | 2 |
| 1-5, 7a, 8-10, 13, 15-18, 19a, 21, 22 | 506276 | Tilt Lock Mechanism Dual Hand, Right | 1 |
| 1-5, 7b, 8-10, 13, 15-18, 19a, 21, 22 | 506277 | Tilt Lock Mechanism Dual Hand, Left | 1 |
| 1-5, 7a, 8-10, 13, 15-18, 19b, 21-23 | 506278 | Tilt Lock Mechanism Dual Hand, Heavy Duty Right | 1 |
| 1-5, 7b, 8-10, 13, 15-18, 19b, 21-23 | 506279 | Tilt Lock Mechanism Dual Hand, Heavy Duty Left | 1 |
| 6 | 001117 | Cable Clip 1" | 4 |
| 7a | 004287 | Linkage Mount, Right | 1 |
| 7b | 004288 | Linkage Mount, Left | 1 |
| 8 | 004289 | Bracket, Mount, Tilt Lock | 2 |
| 9 | 004290 | Spring, Comp, .42OD x 1.0L x .038W | 2 |
| 10 | 004291 | Bushing, Pivot, Tilt Lock | 2 |
| 11 | 002801 | Lever Assembly Horizontal Tilt | 2 |
| 12 | 100696 | M5 x 30mm PPH Capscrew | 2 |
| 13 | 004298 | Cover, Tilt Lock | 2 |
| 14 | 003367 | Spacer, Tilt Lever | 2 |
| 15 | 100658 | M6 Nylock Nut Blk Zn | 2 |
| 16 | 100746 | M6 Flat Washer Blk Zn | 2 |
| 17 | 101824 | M6 x 30 HHCS Blk Zn | 2 |
| 18 | 102800 | M4 x 8mm SHCS Blk Zn | 6 |
| 19a | 103510 | M6 x 1 x 20 HHCS SFLG CLS8.8 Blk Zn DIN6921 <i>Used with Standard Weight Capacity</i> | 4 |
| 19b | 103511 | M6 x 1 x 45 HHCS SFLG CLS8.8 Blk Zn DIN6921 <i>Used with Heavy Duty Option</i> | 4 |

| Item Number | Part Number | Description | Quantity |
|-------------|-------------|---|----------|
| 20 | 001239 | P-Clip 3/16" | 2 |
| 21 | 103522 | M5 x 0.8 x 12 FHCS CLS 10.9 Nyl Blk Zn DIN7991 | 2 |
| 22 | 200427 | M5 x 10 CLS8.8 HHCS ZC w/Patch DIN933 | 12 |
| 23 | 001405 | Spacer, .69OD x .24ID x .1.01Lg <i>Used with Heavy Duty Option</i> | 4 |
| 24a | 004302 | Cable, Tilt, Long <i>Used with Short Fixed Height with Adjustable Handle</i> | 2 |
| 24b | 004303 | Cable, Tilt, XL <i>Used with Tall Fixed Height with Adjustable Handle</i> | 2 |