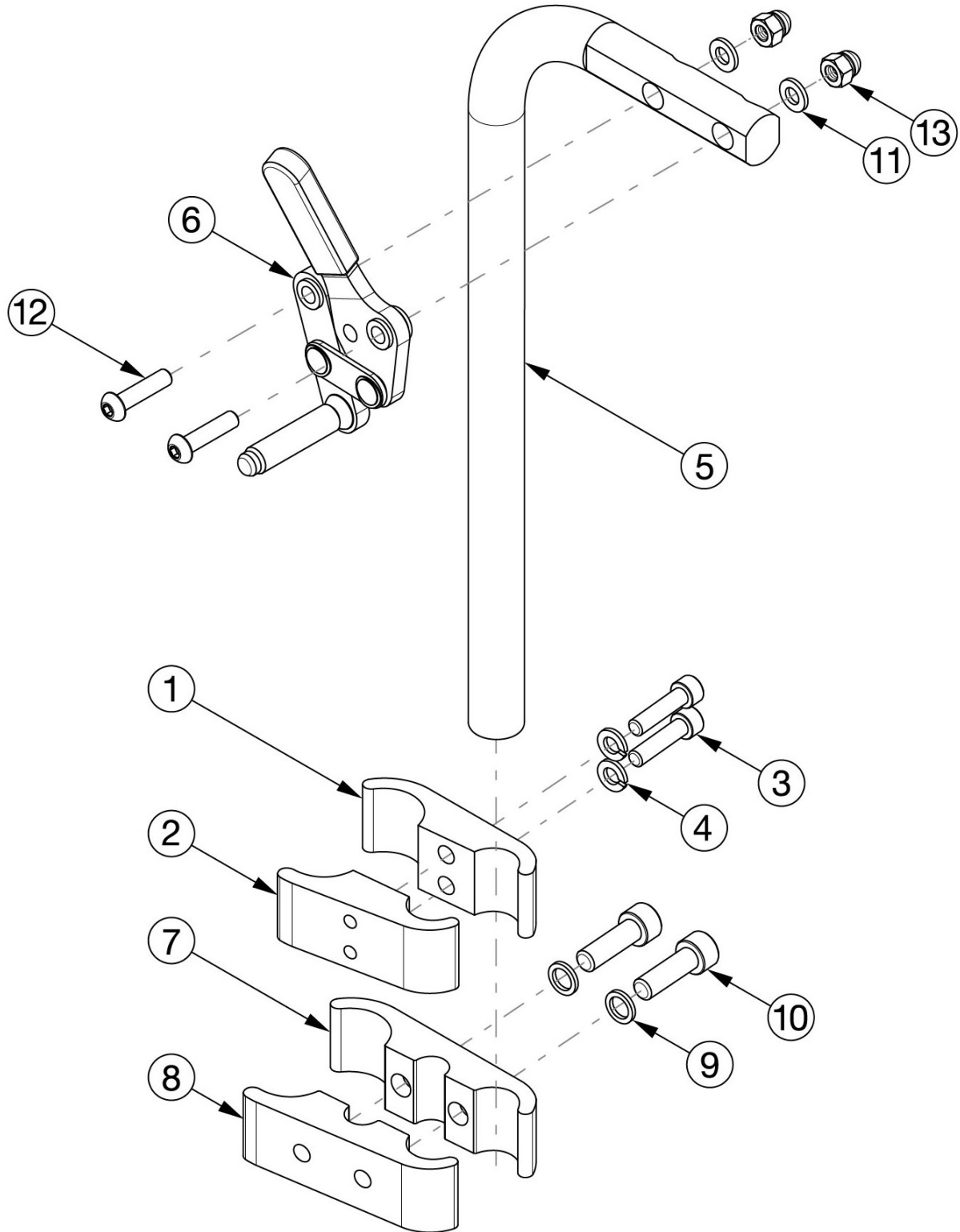


Catalyst E Wheel Locks - Attendant Lock



Standard Clamps utilized with 20" wheels in combination with any Center of Gravity positions and 22" wheels in combination with Center of Gravity position 1. Extended Clamps utilized with 22" wheels in combination with Center of Gravity positions 2, 3, or 4 and with 24" wheels in combination with any Center of Gravity position.

Item Number	Part Number	Description	Quantity
1-4, 5a,5b,6a,6b,12 -13	115840	Attendant Wheel Lock, Std Clamp	1
5a,5b,6a,6b,7- 13	115841	Attendant Wheel Lock, Ext Clamp	1
1-4	115842	Std Clamp	1
7-10	115843	Extended Clamp	1
1	002831	Wheel Lock Clamp 1.125 to .75 C'Bored Long Clik <i>Standard Clamp</i>	1
2	002832	Wheel Lock Clamp 1.125 to .75 Threaded Long Clik <i>Standard Clamp</i>	1
3	100780	M6 x 25 SHCS ZC	2
4	101835	M6 Lock Washer Blk Zn	2
5a	112029	Attendant Wheel Lock Mount Bar, Right	1
5b	112030	Attendant Wheel Lock Mount Bar, Left	1
6a	200252	Wheel Lock Push Left	1
6b	200251	Wheel Lock Push Right	1
7	002814	Wheel Lock Clamp 1.125 to .75 C'Bored Extra Long Clik <i>Extended Clamp</i>	1
8	002815	Wheel Lock Clamp 1.125 to .75 Threaded Extra Long Clik <i>Extended Clamp</i>	1
9	101701	Washer 3.315/.350 x .425/.525 x .059/.067 18-8 F/W	2
10	102864	M8 x 25mm SHCS, BLK ZC	2
11	100746	M6 Flat Washer Blk Zn	2
12	101593	M6 x 25 BTN SHCS BLKZC	2
13	100558	M6 Nyl Ins Domed Cap L/N Zc	2