



Phone (800) 981-1540 | Fax (715) 254-0996  
 sales@kimobility.com | www.kimobility.com

Company: \_\_\_\_\_

Ship To: \_\_\_\_\_

Account Number: \_\_\_\_\_ Date: \_\_\_\_\_

Address: \_\_\_\_\_

Quote  PO Number: \_\_\_\_\_

City: \_\_\_\_\_ State: \_\_\_\_\_

RTS: \_\_\_\_\_

Zip: \_\_\_\_\_ Phone: \_\_\_\_\_

Marked For: \_\_\_\_\_

Email/Fax: \_\_\_\_\_

Select if chair quote has:  Additional Ki Products with Different Quote/Order Number **Quote/Order Number:** \_\_\_\_\_

**Little Wave XP** K0005, E1235 **\$2647**  
 Little Wave Width Growable Frame. 165 lb weight capacity. Maximum  
 Seat Width of 19".

Effective 07/18/2022

*HCPCS codes provided are based on code verification by the PDAC or our interpretation of the code definitions. Proper use of HCPCS codes does not ensure coverage or payment. For coverage information, verify the appropriate payer's coverage policy.*

### Frame

#### Seat Width

- 10" N/C
- 11" N/C
- 12" N/C
- 13" N/C
- 14" N/C
- 15" N/C
- 16" N/C

#### Seat Depth

- 10" N/C
- 11" N/C
- 12" N/C
- 13" N/C
- 14" N/C
- 15" N/C
- 16" N/C

#### Sling Position

- In Performance Position (0"), sling is at front of frame. The 1" or 2" sling position extends the frame in front of the sling by that amount. See reference C on page 6.*
- 0" (Performance) N/C
  - 1" N/C
  - 2" (Classic) N/C

#### Transit

- Transit System N/C  
*125 lb maximum weight capacity*
- Omit Transit N/C

#### Adjustable Depth

- Adds the capability to grow seat in depth*
- No Rear Adjustment N/C
  - 1/2" N/C
  - 1" N/C
  - 2" N/C
  - 3" N/C

#### Long Sling

- Available only with 1", 2" and 3" Adjustable Depth*
- Long Sling N/C  
*Sling will be maximum 2" longer than seat depth*

#### Seat Option

- Standard Seat Sling N/C
- Solid Seat Pan E2231 \$265  
*Seat Pan is 1" longer when Long Sling option is selected*

#### Front Frame Bend

- Angle between front seat tube and ground. See reference D on page 6.*
- 90° N/C
  - 85° N/C
  - 80° N/C
  - 75° N/C
  - 70° N/C

### Backrest

#### Back Post / Height Range / Back Height

Back Post	Price	Height Range	Back Height				
Height Adjustable	N/C	<input type="checkbox"/> Short	<input type="checkbox"/> 11 <sup>2</sup>	<input type="checkbox"/> 12	<input type="checkbox"/> 13	<input type="checkbox"/> 14	
		<input type="checkbox"/> Medium	<input type="checkbox"/> 13	<input type="checkbox"/> 14	<input type="checkbox"/> 15	<input type="checkbox"/> 16	<input type="checkbox"/> 17
		<input type="checkbox"/> Tall	<input type="checkbox"/> 17	<input type="checkbox"/> 18			
Fixed Height	\$65	<input type="checkbox"/> Fixed	<input type="checkbox"/> 9 <sup>2</sup>	<input type="checkbox"/> 10 <sup>2</sup>	<input type="checkbox"/> 11 <sup>2</sup>	<input type="checkbox"/> 12 <sup>2</sup>	<input type="checkbox"/> 13
			<input type="checkbox"/> 14	<input type="checkbox"/> 15	<input type="checkbox"/> 16	<input type="checkbox"/> 17	<input type="checkbox"/> 18
Offset <sup>1</sup>	N/C	<input type="checkbox"/> Offset	<input type="checkbox"/> 11 <sup>2</sup>	<input type="checkbox"/> 12 <sup>2</sup>	<input type="checkbox"/> 13 <sup>2</sup>	<input type="checkbox"/> 14 <sup>2</sup>	<input type="checkbox"/> 15
			<input type="checkbox"/> 16	<input type="checkbox"/> 17			

<sup>1</sup> Fixed Height. Adjustable Height Rigidizer Bar Included.

<sup>2</sup> Not available with Fold Down Push Handle

#### Offset Back Post Option

- Selection required with Offset Back Posts. Not available with Height Adjustable or Fixed Height Back Posts. Each back post is offset 1" creating 2" overall offset.*
- 2" Inward Offset \$95
  - 2" Outward Offset \$95  
*Not available with Swing Away Armrests*

#### Push Handle

- Omit Push Handles N/C
- Standard Push Handles N/C  
*Not available on Offset Back Posts with 11" - 14" Back Heights*
- Bolt-On Push Handles \$185  
*Handles will be 1" - 2" above back height*
- Fold Down Push Handle \$110

**Backrest continued**

**Stroller Handle**

- Stroller Handles are removable and height adjustable*
- Ergo Stroller Handle \_\_\_\_\_ \$185
  - Single Stroller Handle \_\_\_\_\_ \$165
  - Double Stroller Handle \_\_\_\_\_ \$330  
*Not available with Push Handles or 10" Seat Width*

**Rigidizer Bar**

- Adjustable Height Rigidizer Bar \_\_\_\_\_ \$15  
*Included with Offset Back Posts*
- Non Adjustable Height Rigidizer Bar \_\_\_\_\_ N/C

**Seat Back Angle**

- Standard is 90° (perpendicular to floor). Minus (-°) closes back angle. Plus (+°) opens back angle.*
- Standard
  - +3°
  - +6°
  - +9°
  - 3°
  - 6°
  - 9°
  - 12°

**Back Upholstery**

- Available only with Height Adjustable Back Posts. If selecting both upholstery and Axiom Back, the upholstery will be installed.*
- Padded Velcro Adjustable
    - Standard Cover \_\_\_\_\_ Std
    - Air Mesh Breathable Cover \_\_\_\_\_ \$75  
*Not available on chair widths less than 12"*
  - Tension Adjustable E2611
    - Standard Cover \_\_\_\_\_ \$320
    - Air Mesh Breathable Cover \_\_\_\_\_ \$390  
*Not available on chair widths less than 12"*
  - Omit Back Upholstery \_\_\_\_\_ - \$10

**Front Seat Height and Casters**

**Caster Size / Footrest Taper / Front Seat Height**

*Select Front Seat Height and Footrest Taper in row corresponding to desired Caster Size. 6" Casters not available with Seat Depths less than 13". Footrest Taper indicates bend of front frame creating footrest width. Taper is measured from outside of seat frame to outside of front tube. Taper is not available with 70° Front Frame Bend. See reference E on page 6. Front Seat Height is measured from floor to top of seat tube at front of seat sling. Adjustable up or down by 1/2". See reference F on page 6.*

Footrest Taper	Caster Size	Front Seat Height															
<input type="checkbox"/> Straight	3"	<input type="checkbox"/> 11.5	<input type="checkbox"/> 12	<input type="checkbox"/> 12.5	<input type="checkbox"/> 13	<input type="checkbox"/> 13.5	<input type="checkbox"/> 14	<input type="checkbox"/> 14.5	<input type="checkbox"/> 15	<input type="checkbox"/> 15.5	<input type="checkbox"/> 16	<input type="checkbox"/> 16.5	<input type="checkbox"/> 17	<input type="checkbox"/> 17.5	<input type="checkbox"/> 18	<input type="checkbox"/> 18.5	
	4"	<input type="checkbox"/> 12.5	<input type="checkbox"/> 13	<input type="checkbox"/> 13.5	<input type="checkbox"/> 14	<input type="checkbox"/> 14.5	<input type="checkbox"/> 15	<input type="checkbox"/> 15.5	<input type="checkbox"/> 16	<input type="checkbox"/> 16.5	<input type="checkbox"/> 17	<input type="checkbox"/> 17.5	<input type="checkbox"/> 18	<input type="checkbox"/> 18.5	<input type="checkbox"/> 19	<input type="checkbox"/> 19.5	
	5"	<input type="checkbox"/> 13.5	<input type="checkbox"/> 14	<input type="checkbox"/> 14.5	<input type="checkbox"/> 15	<input type="checkbox"/> 15.5	<input type="checkbox"/> 16	<input type="checkbox"/> 16.5	<input type="checkbox"/> 17	<input type="checkbox"/> 17.5	<input type="checkbox"/> 18	<input type="checkbox"/> 18.5	<input type="checkbox"/> 19	<input type="checkbox"/> 19.5	<input type="checkbox"/> 20	<input type="checkbox"/> 20.5	
	6"	<input type="checkbox"/> 14	<input type="checkbox"/> 14.5	<input type="checkbox"/> 15	<input type="checkbox"/> 15.5	<input type="checkbox"/> 16	<input type="checkbox"/> 16.5	<input type="checkbox"/> 17	<input type="checkbox"/> 17.5	<input type="checkbox"/> 18	<input type="checkbox"/> 18.5	<input type="checkbox"/> 19	<input type="checkbox"/> 19.5	<input type="checkbox"/> 20	<input type="checkbox"/> 20.5		
<input type="checkbox"/> 1" Taper	3"	<input type="checkbox"/> 14.5	<input type="checkbox"/> 15	<input type="checkbox"/> 15.5	<input type="checkbox"/> 16	<input type="checkbox"/> 16.5	<input type="checkbox"/> 17	<input type="checkbox"/> 17.5	<input type="checkbox"/> 18	<input type="checkbox"/> 18.5	<input type="checkbox"/> 19	<input type="checkbox"/> 19.5	<input type="checkbox"/> 20	<input type="checkbox"/> 20.5			
	4"	<input type="checkbox"/> 15.5	<input type="checkbox"/> 16	<input type="checkbox"/> 16.5	<input type="checkbox"/> 17	<input type="checkbox"/> 17.5	<input type="checkbox"/> 18	<input type="checkbox"/> 18.5	<input type="checkbox"/> 19	<input type="checkbox"/> 19.5	<input type="checkbox"/> 20	<input type="checkbox"/> 20.5					
	5"	<input type="checkbox"/> 16.5	<input type="checkbox"/> 17	<input type="checkbox"/> 17.5	<input type="checkbox"/> 18	<input type="checkbox"/> 18.5	<input type="checkbox"/> 19	<input type="checkbox"/> 19.5	<input type="checkbox"/> 20	<input type="checkbox"/> 20.5							
	6"	<input type="checkbox"/> 17	<input type="checkbox"/> 17.5	<input type="checkbox"/> 18	<input type="checkbox"/> 18.5	<input type="checkbox"/> 19	<input type="checkbox"/> 19.5	<input type="checkbox"/> 20	<input type="checkbox"/> 20.5								

**Caster Type**

Caster Type	Price	Caster Size			
		3"	4"	5"	6"
.75" Rollerblade	N/C	<input type="checkbox"/>	<input type="checkbox"/>		
.75" Lighted Rollerblade	\$75	<input type="checkbox"/>	<input type="checkbox"/>	<input type="checkbox"/>	
1" Poly	N/C		<input type="checkbox"/>	<input type="checkbox"/>	<input type="checkbox"/>
1" Poly Aluminum	\$125		<input type="checkbox"/>	<input type="checkbox"/>	
1" Pneumatic	\$85				<input type="checkbox"/>
1.5" Poly	\$55		<input type="checkbox"/>	<input type="checkbox"/>	<input type="checkbox"/>
1.5" Soft Roll Aluminum	\$190	<input type="checkbox"/>	<input type="checkbox"/>	<input type="checkbox"/>	<input type="checkbox"/>

**Fork Options**

- Standard Fork \_\_\_\_\_ Std
- Single Sided Fork \_\_\_\_\_ \$170  
*Not available with 6" Casters*
- Frog Legs Suspension Fork E1015 \_\_\_\_\_ \$450
  - User Weight Under 80 lbs
  - User Weight 80 - 120 lbs
  - User Weight 120 - 160 lbs
- Frog Legs II Suspension System \_\_\_\_\_ \$450  
*Lightweight shock absorbing fork.*

## Footrest

### Footplate

- Tubular "Open" Footplate \_\_\_\_\_ N/C  
*Not available with footrest widths less than 9.5". See Reference G on page 6.*
- Tubular Footplate with ABS Cover \_\_\_\_\_ \$30  
*Not available with footrest widths less than 9.5". See Reference G on page 6.*
- Aluminum Angle Adjustable K0040 \_\_\_\_\_ \$95
- Aluminum Angle Adjustable with Riser K0040, K0037 \_\_\_\_\_ \$185
- High Mount Aluminum Angle Adjustable K0040, K0037 \_\_\_\_\_ \$160
- Angle Adjustable Flip Under K0040, K0037 \_\_\_\_\_ \$189  
*Not available with footrest widths less than 9.5". See Reference G on page 6.*
- High Mount Angle Adjustable Flip Under K0040, K0037 \_\_\_\_\_ \$270

### Seat to Footrest Length

*Measured from front edge of seat sling to top, rear of footrest. Footrest length at least 2.5" shorter than Front Seat Height recommended. See reference H on page 6.*

<input type="checkbox"/> 5.5"	<input type="checkbox"/> 6"	<input type="checkbox"/> 6.5"	<input type="checkbox"/> 7"	<input type="checkbox"/> 7.5"	<input type="checkbox"/> 8"
<input type="checkbox"/> 8.5"	<input type="checkbox"/> 9"	<input type="checkbox"/> 9.5"	<input type="checkbox"/> 10"	<input type="checkbox"/> 10.5"	<input type="checkbox"/> 11"
<input type="checkbox"/> 11.5"	<input type="checkbox"/> 12"	<input type="checkbox"/> 12.5"	<input type="checkbox"/> 13"	<input type="checkbox"/> 13.5"	<input type="checkbox"/> 14"
<input type="checkbox"/> 14.5"	<input type="checkbox"/> 15"	<input type="checkbox"/> 15.5"	<input type="checkbox"/> 16"	<input type="checkbox"/> 16.5"	<input type="checkbox"/> 17"

## Rear Seat Height and Wheels

### Wheel Size / Rear Seat Height

*Select Rear Seat Height in row corresponding to desired Wheel Size. For proper setup, selection is required when omitting rear wheels. Measured from floor to top of seat tube at front of back post. Rear Seat Height is custom to needs. See reference I on page 6.*

Wheel Size	Rear Seat Height															
18"	<input type="checkbox"/> 11.5 <sup>1</sup>	<input type="checkbox"/> 12	<input type="checkbox"/> 12.5	<input type="checkbox"/> 13	<input type="checkbox"/> 13.5	<input type="checkbox"/> 14	<input type="checkbox"/> 14.5	<input type="checkbox"/> 15	<input type="checkbox"/> 15.5	<input type="checkbox"/> 16	<input type="checkbox"/> 16.5	<input type="checkbox"/> 17	<input type="checkbox"/> 17.5	<input type="checkbox"/> 18	<input type="checkbox"/> 18.5	<input type="checkbox"/> 19
20"	<input type="checkbox"/> 12.5 <sup>1</sup>	<input type="checkbox"/> 13	<input type="checkbox"/> 13.5	<input type="checkbox"/> 14	<input type="checkbox"/> 14.5	<input type="checkbox"/> 15	<input type="checkbox"/> 15.5	<input type="checkbox"/> 16	<input type="checkbox"/> 16.5	<input type="checkbox"/> 17	<input type="checkbox"/> 17.5	<input type="checkbox"/> 18	<input type="checkbox"/> 18.5	<input type="checkbox"/> 19	<input type="checkbox"/> 19.5	<input type="checkbox"/> 20
22"	<input type="checkbox"/> 13.5 <sup>1</sup>	<input type="checkbox"/> 14	<input type="checkbox"/> 14.5	<input type="checkbox"/> 15	<input type="checkbox"/> 15.5	<input type="checkbox"/> 16	<input type="checkbox"/> 16.5	<input type="checkbox"/> 17	<input type="checkbox"/> 17.5	<input type="checkbox"/> 18	<input type="checkbox"/> 18.5	<input type="checkbox"/> 19	<input type="checkbox"/> 19.5	<input type="checkbox"/> 20		
24"	<input type="checkbox"/> 14.5 <sup>1</sup>	<input type="checkbox"/> 15	<input type="checkbox"/> 15.5	<input type="checkbox"/> 16	<input type="checkbox"/> 16.5	<input type="checkbox"/> 17	<input type="checkbox"/> 17.5	<input type="checkbox"/> 18	<input type="checkbox"/> 18.5	<input type="checkbox"/> 19	<input type="checkbox"/> 19.5	<input type="checkbox"/> 20				

<sup>1</sup> Available only with Low Profile tires

### Rear Wheel Type

		Rear Wheel Size				
		Price	18"	20"	22"	24"
Rear Wheel	MAXX Performance Spoke	N/C	<input type="checkbox"/>	<input type="checkbox"/>	<input type="checkbox"/>	<input type="checkbox"/>
	Mag	\$55		<input type="checkbox"/>	<input type="checkbox"/>	<input type="checkbox"/>
	Spinergy Spox	\$845		<input type="checkbox"/>	<input type="checkbox"/>	<input type="checkbox"/>

### Spinergy Options

*Select spoke color and handrim tab for Spinergy wheels*

Spoke Color:

- Black  Red  White  Blue  Yellow

Handrim Tab:

*Available only with Aluminum Anodized and Plastic Coated Handrims*

- Short Tab \_\_\_\_\_ N/C  
 Long Tab \_\_\_\_\_ N/C

### Rear Tire Type

#### Full Profile

- Street Pneumatic 1 3/8" E2211, E2212 \_\_\_\_\_ Std
- Full Poly 1 3/8" E2218 \_\_\_\_\_ \$75
- Pneumatic with Airless Insert 1 3/8" E2211, E2213 \_\_\_\_\_ \$95

#### Low Profile

- Low Poly 1" E2218 \_\_\_\_\_ \$75
- High Pressure 1" E2211, E2212 \_\_\_\_\_ \$95  
*Not available on Mag wheel or 18" wheel size*
- Schwalbe Marathon Plus Evolution 1" E2211, E2212 \_\_\_\_\_ \$135  
*Available only on 24" MAXX Performance or Spinergy wheels*

### Handrim

#### Standard Handrims

- Aluminum Anodized \_\_\_\_\_ Std
- Plastic Coated \_\_\_\_\_ \$100
- Projection (8 Vertical Projections) \_\_\_\_\_ \$325  
*Available only with full profile tires in combination with 22"-24" MAXX Performance or 24" Mag wheel*
- Omit Handrim \_\_\_\_\_ N/C

#### Natural Fit Handrims

*Not available on 18" or 20" wheel sizes or 22" Mag wheel. Not recommended with Mag wheel.*

- Natural Fit LT Regular Grip \_\_\_\_\_ \$465
- Natural Fit Standard Regular Grip \_\_\_\_\_ \$445
- Natural Fit LT Super Grip \_\_\_\_\_ \$515
- Natural Fit Standard Super Grip \_\_\_\_\_ \$495
- Natural Fit LT Omit Grip \_\_\_\_\_ \$395
- Natural Fit Standard Omit Grip \_\_\_\_\_ \$345

#### Handrim Option

- 3M Micro Grip \_\_\_\_\_ \$65  
*Not available on Plastic Coated or Projection Handrims*

## Rear Seat Height and Wheels continued

### Rear Wheel Spacing

Measured from outside of back to inside of rear tire. Adjustable out 1/2" from setting. 1.5" minimum Rear Wheel Spacing with Height Adjustable T-Arm Armrest, 1.25" minimum with Height Adjustable Pediatric Desk Armrest, 1" minimum with 0° Rear Wheel Camber. See reference K on page 6. No selection needed with Wheelchair Drive Ready option.

- .75"     1"     1.25"     1.5"     1.75"

### Rear Wheel Camber

- 0°     2°     4°     6°     8°

### Wheelchair Drive Ready

Chair will ship from Ki Mobility with adaption kit installed for selected Alber system. Order system separately from Alber USA. Select Rear Seat Height (full profile selections only) in drive wheel size on Rear Seat Height chart (page 3). Requires Rear Anti-Tips. Not available with 5th Wheel or Spinergy wheels.

- e-motion Ready \_\_\_\_\_ N/C  
 twion Ready \_\_\_\_\_ N/C  
 Camber Selection:     0°     3°

## Wheel Locks

### Wheel Lock

- Push to Lock \_\_\_\_\_ Std  
 Pull to Lock \_\_\_\_\_ N/C  
 Short Thro Scissor Lock \_\_\_\_\_ \$125  
 Low Profile Scissor Lock \_\_\_\_\_ \$65  
*Not available with Low Poly or Full Poly tires*  
 Drum Brake E2228 \_\_\_\_\_ \$560  
*Available only with 20", 22" and 24" MAXX Performance Spoke wheels. Not available with Fold Down Push Handles or Ergo and Single Stroller Handles without integrated push handles. Axle is Quick Release.*

- Dual - Drum Brake E2228 \_\_\_\_\_ \$660  
*Available only with 20", 22" and 24" MAXX Performance Spoke wheels. Not available with Fold Down Push Handles or Ergo and Single Stroller Handles without integrated push handles. Axle is Quick Release.*  
 Push to Lock     Pull to Lock  
 Omit Wheel Locks \_\_\_\_\_ N/C

### Wheel Lock Options

- Extension Handles E0961 \_\_\_\_\_ \$77  
*Available only with Push to Lock or Pull to Lock Wheel Locks*  
 Grade Aids E0974 \_\_\_\_\_ \$150  
*Available only with Push to Lock Wheel Locks and Pneumatic or Pneumatic w/ Airless Insert tires*

## Armrests

### Armrest

- Height Adjustable T-Arm Tall (11.5" - 15") E0973 **New!**  
 Desk \_\_\_\_\_ \$310  
 Full \_\_\_\_\_ \$310  
 Height Adjustable T-Arm (8.5" - 13.5") E0973  
*Not available with Seat Depths less than 13". 1.5" minimum Rear Wheel Spacing.*  
 Desk \_\_\_\_\_ \$310  
 Full \_\_\_\_\_ \$310  
 Height Adjustable T-Arm Low (6.5" - 10.5") E0973  
*Not available with Seat Depths less than 12". 1.5" minimum Rear Wheel Spacing. If requested configuration is unavailable, Standard Height T-Arm will be used.*  
 Desk \_\_\_\_\_ \$310  
 Full \_\_\_\_\_ \$310  
 Angle Adjustable Locking Extendable Flip Up E0973  
*Requires Fixed Height Backrest and Adjustable Height Rigidizer Bar. Not available with back heights less than 12".*  
 Desk \_\_\_\_\_ \$265  
 Full \_\_\_\_\_ \$265

- Height Adjustable Pediatric Desk (6.5" - 10") E0973 \_\_\_\_\_ \$225  
*Best fit with Seat Depths less than 14". 1.25" minimum Rear Wheel Spacing.*  
 Tubular Flip Up \_\_\_\_\_ \$50  
*Requires Fixed Height Backrest and Adjustable Height Rigidizer Bar. Not available with Arm Pads, Back Heights less than 13" or Back Heights less than 14" with Offset.*  
 Swing Away (8.5" - 12.5") E0973 \_\_\_\_\_ \$225  
*Not available with Transit System AND more than 2" Adjustable Depth. Not available with Arm Pads or Outward Offset Back Posts.*  
 Omit Armrests \_\_\_\_\_ N/C

### Arm Pad

- Not available with Tubular Flip Up or Swing Away Armrests. Full Arm Pads not available with Height Adjustable Pediatric Desk Armrests.**  
 Standard Arm Pad \_\_\_\_\_ N/C  
 Waterfall Arm Pad \_\_\_\_\_ \$25  
*Not available with Angle Adjustable Locking Extendable Flip Up Armrests*  
 Foam Grip \_\_\_\_\_ N/C  
*Available only with Angle Adjustable Locking Extendable Flip Up Armrest*

## Side Guards

*Not available with T-Arms or Height Adjustable Pediatric Desk Armrests*

### Direct Mount

- Composite Side Guards - Adult (14" - 16") K0108 \_\_\_\_\_ \$143  
*12" minimum Seat Depth*
- Composite Side Guards - Pediatric (10" - 14") K0108 \_\_\_\_\_ \$143

### Clamp-On Mount

- Aluminum Adjustable Fender with Foam Pad K0108
- Black Matte \_\_\_\_\_ \$305
- Match Frame Color \_\_\_\_\_ \$355  
*Not available with Hydrographics*

## Accessories

### 5th Wheel

*Rotating removable rear caster. Not available with anti-tips. See reference L on page 6.*

- Standard 5th Wheel E0971 \_\_\_\_\_ \$250
- Dynamic 5th Wheel K0108 \_\_\_\_\_ \$250  
Elastomer:  Soft  Firm  
*Both elastomers are included; the selected elastomer will be installed*

### Anti-Tip

- Rear Anti-Tips E0971 \_\_\_\_\_ \$150  
*Not available with 5th Wheel*
- Omit Rear Anti-Tips \_\_\_\_\_ N/C

### Calf Strap

- Velcro Adjustable K0038 \_\_\_\_\_ \$42
- Padded Velcro Adjustable K0038 \_\_\_\_\_ \$68
- Bodypoint Padded AeroMesh K0038 \_\_\_\_\_ \$118

### Pelvic Positioning Belt

- 1" Auto Buckle E0978 \_\_\_\_\_ \$80
- 1" Padded Auto Buckle E0978 \_\_\_\_\_ \$170
- 1 1/2" Auto Buckle E0978 \_\_\_\_\_ \$80
- 1 1/2" Padded Auto Buckle E0978 \_\_\_\_\_ \$170
- 2" Airline Buckle E0978 \_\_\_\_\_ \$110
- Bodypoint Evoflex - Pelvic Stabilizer E0978 \_\_\_\_\_ \$188  
Size:  Small (16-24")  Medium (19-29")  Large (25-37")

## Frame Color

### Gloss Finish

- Black \_\_\_\_\_ N/C
- Blue Skies \_\_\_\_\_ N/C
- Bubblegum Pink \_\_\_\_\_ N/C
- Candy Blue \_\_\_\_\_ N/C
- Candy Purple \_\_\_\_\_ N/C
- Candy Red \_\_\_\_\_ N/C
- Copper \_\_\_\_\_ N/C
- Granny Smith \_\_\_\_\_ N/C
- Metallic Orange \_\_\_\_\_ N/C
- Yellow \_\_\_\_\_ N/C

### Matte Finish

- Charcoal Gray \_\_\_\_\_ N/C
- Emerald Green \_\_\_\_\_ N/C
- Iridescent Burgundy \_\_\_\_\_ N/C
- Iridescent Navy \_\_\_\_\_ N/C
- Military Green \_\_\_\_\_ N/C
- Retro Red \_\_\_\_\_ N/C
- Royal Blue \_\_\_\_\_ N/C
- Shadow Black \_\_\_\_\_ N/C
- Smooth White \_\_\_\_\_ N/C

### Hydrographics

- Hydrographics \_\_\_\_\_ \$775
- AOR1 (Desert Digital Camo)  Pink Camo
- Muddy Girl  NEXT Camo
- Carbon Fiber<sup>1</sup>  Zebra<sup>1</sup>

<sup>1</sup>Select Hydrographics Base Color. Zebra not available in Black.

- Hydrographics Base Color \_\_\_\_\_ N/C
- Black  Blue  Granny Smith  Pink  Purple  Red

**References**

**A. Seat Width** See Diagram 1

Measured from outside of frame tube on one side to outside of frame tube on other side.

**B. Seat Depth** See Diagram 3

Measured from front of back posts to front edge of seat sling. Seat sling starts at beginning of bend at front of frame.

**C. Sling Position** See Diagram 2

In Performance Position (0"), sling is at front of frame to keep chair shorter and more maneuverable. The 1" or 2" seat sling position extends the frame in front of the sling by that amount. Adding more frame can improve stability and provide support to aid in transfers.

**D. Front Frame Bend** See Diagram 3

Angle between front seat tube and ground.

**E. Footrest Taper** See Diagram 1

Indicates bend of front frame creating footrest. Taper is measured from outside of seat frame to outside of front tube.

**F. Front Seat Height** See Diagram 1

Measured from floor to top of seat tube at front of seat sling.

**G. Footrest Width** See Diagram 1

Measured from inside of front tube to inside of front tube on other side. Footrest width is listed below for each seat width and taper.

Seat Width	Straight	1" Taper
Outside Measurement	2" Narrower than Seat Width	4" Narrower than Seat Width
10"	7.5"	
11"	8.5"	
12"	9.5"	7.5"
13"	10.5"	8.5"
14"	11.5"	9.5"
15"	12.5"	10.5"
16"	13.5"	11.5"

**H. Seat to Footrest Length** See Diagram 3

Measured from front edge of seat sling to top rear of footrest. Footrest length of at least 2.5" shorter than front seat height recommended.

**I. Rear Seat Height** See Diagram 3

Measured from floor to top of seat tube at front of back post. Rear seat height is custom to needs.

**J. Center of Gravity Preset** See Diagram 3

Measured from front of back post to center of rear axle. 0" indicates axle will be directly under back post.

**K. Rear Wheel Spacing** See Diagram 1

Measured from outside of seat back to inside of rear tire. Adjustable out .5" from setting.

**L. 5th Wheel** See Diagram 4

Rotating removable 5th wheel allows for aggressive center of gravity positioning of the rear wheels.

Diagram 1

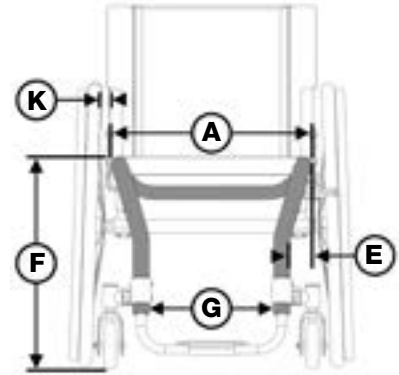


Diagram 2

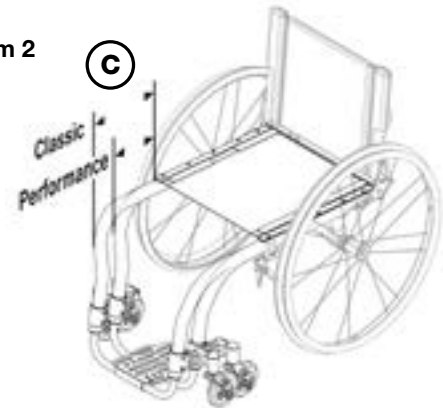


Diagram 3

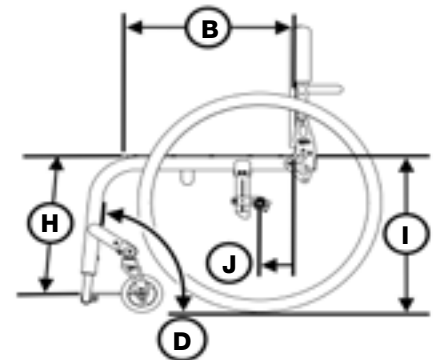


Diagram 4



















## Axiom Back Accessories continued

### Lateral Support

Laterals for Posterior Back					Item Code	HCP	Pair	Each
Pair	Left	Right	Description					
<input type="checkbox"/>	<input type="checkbox"/>	<input type="checkbox"/>	3 x 4 Lateral Pads with Fixed Mounting Hardware for Axiom Posterior Back	LF3x4P	E0956	\$313	\$157	
<input type="checkbox"/>	<input type="checkbox"/>	<input type="checkbox"/>	4 x 5 Lateral Pads with Fixed Mounting Hardware for Axiom Posterior Back	LF4x5P	E0956	\$313	\$157	
<input type="checkbox"/>	<input type="checkbox"/>	<input type="checkbox"/>	3 x 4 Lateral Pads with Swing Away Mounting Hardware for Axiom Posterior Back	LS3x4P	E0956, E1028	\$667	\$334	
<input type="checkbox"/>	<input type="checkbox"/>	<input type="checkbox"/>	4 x 5 Lateral Pads with Swing Away Mounting Hardware for Axiom Posterior Back	LS4x5P	E0956, E1028	\$667	\$334	

### Laterals for Posterior Lateral Back

Pair	Left	Right	Description	Item Code	HCP	Pair	Each
<input type="checkbox"/>	<input type="checkbox"/>	<input type="checkbox"/>	3 x 4 Lateral Pads with Fixed Mounting Hardware for Axiom Posterior Lateral Back	LF3x4L	E0956	\$313	\$157
<input type="checkbox"/>	<input type="checkbox"/>	<input type="checkbox"/>	4 x 5 Lateral Pads with Fixed Mounting Hardware for Axiom Posterior Lateral Back	LF4x5L	E0956	\$313	\$157
<input type="checkbox"/>	<input type="checkbox"/>	<input type="checkbox"/>	3 x 4 Lateral Pads with Swing Away Mounting Hardware for Axiom Posterior Lateral Back	LS3x4L	E0956, E1028	\$667	\$334
<input type="checkbox"/>	<input type="checkbox"/>	<input type="checkbox"/>	4 x 5 Lateral Pads with Swing Away Mounting Hardware for Axiom Posterior Lateral Back	LS4x5L	E0956, E1028	\$667	\$334

### Axiom Lateral Support Modifications

*Extended lead times will apply. Modified Lateral Supports are not eligible for refund.*

Description	Item Code	HCP	Retail
<input type="checkbox"/> Modification for Chest Strap attached to Lateral Supports	AXMLATMT	K0108	N/C

### Lumbar Pads

*Available only with Axiom Lateral Back and Axiom Deep Lateral back*

Description	HCP	Retail
<input type="checkbox"/> Lumbar Pad	K0108	\$50

### Privacy Flap

Description	HCP	Retail
<input type="checkbox"/> Privacy Flap	K0108	\$47

### Shoulder Guides

Description	Item Code	HCP	Retail
<input type="checkbox"/> Shoulder Strap Guides and Mount <i>Selection of a modification from the Axiom Back Modifications required in order to mount Shoulder Guides. Not available with Low Backs.</i>	AXBSG	K0108	\$77

## Axiom Back Accessories continued

### Posture Support

*Selection of a modification from the Axiom Back Modifications section required in order to mount posture supports. Not available with Low Backs.*

	Description	Item Code	HCPC	Retail
<input type="checkbox"/>	Dynaform Chest Support: 2-Piece with Hook & Loop, 3" High Pad, Small	ATRP2P14941	E0960	\$121
<input type="checkbox"/>	Dynaform Chest Support: 2-Piece with Hook & Loop, 4" High Pad, Medium	ATRP2P14942	E0960	\$121
<input type="checkbox"/>	Dynaform Chest Support: 2-Piece with Hook & Loop, 5" High Pad, Large	ATRP2P14943	E0960	\$121
<input type="checkbox"/>	Dynaform Chest Support: 1-Piece with Buckle, 3" Height x 18" Width, Small	ATRD2P14924	E0960	\$100
<input type="checkbox"/>	Dynaform Chest Support: 1-Piece with Buckle, 4" Height x 20" Width, Medium	ATRD2P14927	E0960	\$100
<input type="checkbox"/>	Dynaform Chest Support: 1-Piece with Buckle, 4" Height x 22" Width, Large	ATRD2P14928	E0960	\$100
<input type="checkbox"/>	AirLogic Anterior Trunk Support: Standard, Structure, Small	ATRP4P14282	E0960	\$164.17
<input type="checkbox"/>	AirLogic Anterior Trunk Support: Standard, Structure, Medium	ATRP4P14283	E0960	\$164.17
<input type="checkbox"/>	AirLogic Anterior Trunk Support: Standard, Structure, Large	ATRP4P14284	E0960	\$164.17
<input type="checkbox"/>	AirLogic Anterior Trunk Support: Standard, Structure, X-Large	ATRP4P14285	E0960	\$164.17
<input type="checkbox"/>	AirLogic Anterior Trunk Support: Slim Cut, Dynamic, Small	ATRD4P14257	E0960	\$164.17
<input type="checkbox"/>	AirLogic Anterior Trunk Support: Slim Cut, Dynamic, Medium	ATRD4P14258	E0960	\$164.17
<input type="checkbox"/>	AirLogic Anterior Trunk Support: Slim Cut, Dynamic, Large	ATRD4P14259	E0960	\$164.17
<input type="checkbox"/>	AirLogic Anterior Trunk Support: Slim Cut, Dynamic, X-Large	ATRD4P14260	E0960	\$164.17

## Axiom Back Modifications

*Extended lead times will apply for all modifications. Makes back non-refundable.*

### Axiom Back Modifications

*Choose modification to add holes to the back shell in order to mount posture supports. Not available with Low Backs.*

	Description	Item Code	HCPC	Retail
<input type="checkbox"/>	Modification for 4 Point Harness	AXM4PT	K0108	N/C
<input type="checkbox"/>	Modification for 2 Point Chest Strap	AXM2PT	K0108	N/C
<input type="checkbox"/>	Modification for Shoulder Guides	AXMSG	K0108	N/C

### Painted Back Shell Modification

*If no selection is made, standard Shadow Black will be used with no additional lead time*

	Gloss Finish	Item Code	Retail
<input type="checkbox"/>	Black	AXMBLK	N/C
<input type="checkbox"/>	Blue Skies	AXMSKY	N/C
<input type="checkbox"/>	Bubblegum Pink	AXMPNK	N/C
<input type="checkbox"/>	Candy Blue	AXMCBL	N/C
<input type="checkbox"/>	Candy Purple	AXMPUR	N/C
<input type="checkbox"/>	Candy Red	AXMRED	N/C
<input type="checkbox"/>	Copper	AXMCOP	N/C
<input type="checkbox"/>	Granny Smith	AXMGSM	N/C
<input type="checkbox"/>	Metallic Orange	AXMMOR	N/C
<input type="checkbox"/>	Silver	AXMSIL	N/C
<input type="checkbox"/>	Teal	AXMTEA	N/C
<input type="checkbox"/>	Yellow	AXMYLW	N/C

	Matte Finish	Item Code	Retail
<input type="checkbox"/>	Charcoal Gray	AXMCGM	N/C
<input type="checkbox"/>	Emerald Green	AXMEGM	N/C
<input type="checkbox"/>	Iridescent Burgundy	AXMIBM	N/C
<input type="checkbox"/>	Iridescent Navy	AXMINM	N/C
<input type="checkbox"/>	Military Green	AXMAGM	N/C
<input type="checkbox"/>	Retro Red	AXMRRM	N/C
<input type="checkbox"/>	Royal Blue	AXMRBM	N/C
<input type="checkbox"/>	Smooth White	AXMSWM	N/C