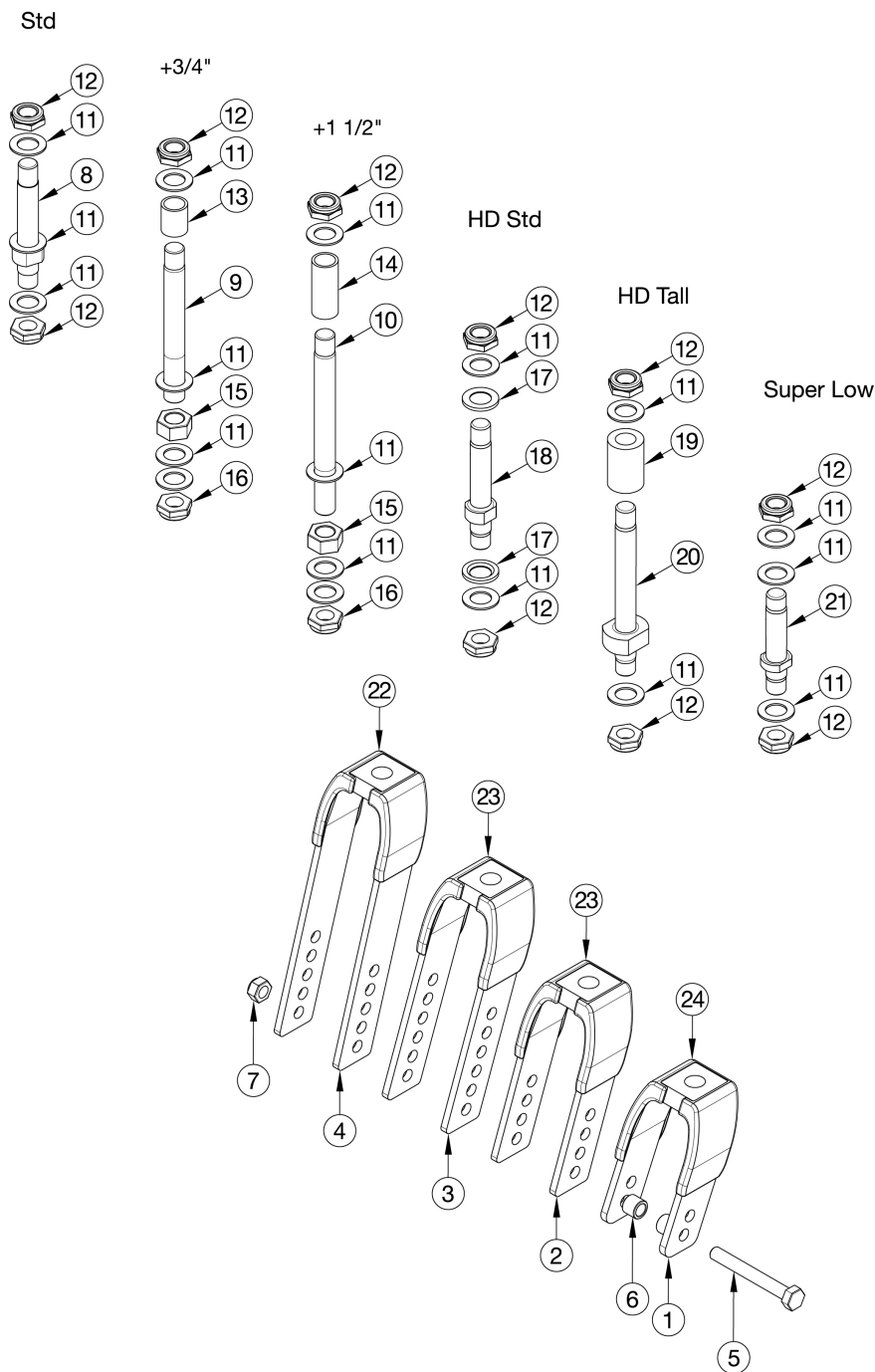
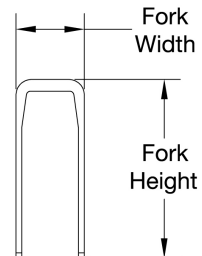


Catalyst E Transit Forks and Stems



Std	3.5"
+ 3/4"	4.4"
+ 1 1/2"	5.1"
HD Std	4.4"
HD Tall	4.8"
Super Low	2.8"



Fork	Height	Width
4" Std	3.6"	2.2"
5" Std	4.6"	2.2"
6" Std	5.6"	2.2"
6" Wide	5.8"	2.9"
7" Std	6.9"	2.2"
7" Wide	7.0"	2.9"

Not available with Super Low Caster Housing

Item Number	Part Number	Description	Quantity
8, 11, 12	500866	Std Caster Stem Assembly CAT	1
9, 11, 12, 13, 15, 16	500001	+3/4 Caster Stem Assembly CAT	1

Item Number	Part Number	Description	Quantity
10, 11, 12, 14, 15, 16	500002	+1 1/2 Caster Stem Assembly CAT	1
11, 12, 17, 18	115805	HD Std Caster Stem Assembly	1
11, 12, 19, 20	115806	HD Tall Caster Stem Assembly	1
11, 12, 21	115825	Super Low Caster Stem Assembly	1
1a, 8, 11, 12, 24	123075	Transit Fork Assembly, Black, 4" Std Stem CAT	1
1a, 9, 11, 12, 13, 15, 16, 24	123076	Transit Fork Assembly, Black, 4" +3/4" Stem CAT	1
1a, 10, 11, 12, 14, 15, 16, 24	123071	Transit Fork Assembly, Black, 4" +1 1/2" Stem CAT	1
1a, 11, 12, 17, 18, 24	123055	Transit Fork Assembly, Black, 4" HD Std Stem	1
1a, 11, 12, 19, 20, 24	123056	Transit Fork Assembly, Black, 4" HD Tall Stem	1
2a, 8, 11, 12, 23a	123077	Transit Fork Assembly, Black, 5" Std Stem CAT	1
2a, 9, 11, 12, 13, 15, 16, 23a	123072	Transit Fork Assembly, Black, 5" +3/4" Stem CAT	1
2a, 10, 11, 12, 14, 15, 16, 23a	123078	Transit Fork Assembly, Black, 5" +1 1/2" Stem CAT	1
2a, 11, 12, 17, 18, 23a	123057	Transit Fork Assembly, Black, 5" HD Std Stem	1
2a, 11, 12, 19, 20, 23a	123058	Transit Fork Assembly, Black, 5" HD Tall Stem	1
3a, 8, 11, 12, 23a	123073	Transit Fork Assembly, Black, 6" Std Stem CAT	1
3a, 9, 11, 12, 13, 15, 16, 23a	123079	Transit Fork Assembly, Black, 6" +3/4" Stem CAT	1
3a, 10, 11, 12, 14, 15, 16, 23a	123080	Transit Fork Assembly, Black, 6" +1 1/2" Stem CAT	1
3a, 11, 12, 17, 18, 23a	123059	Transit Fork Assembly, Black, 6" HD Std Stem	1
3a, 11, 12, 19, 20, 23a	123060	Transit Fork Assembly, Black, 6" HD Tall Stem	1
4a, 8, 11, 12, 22a	123074	Transit Fork Assembly, Black, 7" Std Stem CAT	1
4a, 9, 11, 12, 13, 15, 16, 22a	123081	Transit Fork Assembly, Black, 7" +3/4" Stem CAT	1
4a, 10, 11, 12, 14, 15, 16, 22a	123082	Transit Fork Assembly, Black, 7" +1 1/2" Stem CAT	1
4a, 11, 12, 17, 18, 22a	123063	Transit Fork Assembly, Black, 7" HD Std Stem	1
4a, 11, 12, 19, 20, 22a	123064	Transit Fork Assembly, Black, 7" HD Tall Stem	1
3b, 8, 11, 12, 23b	123088	Transit Fork Assembly 6" Wide Std Stem CAT <i>Only used with 2" wide casters</i>	1
3b, 9, 11, 12, 13, 15, 16, 23b	123090	Transit Fork Assembly 6" Wide +3/4" Stem CAT <i>Only used with 2" wide casters</i>	1

Item Number	Part Number	Description	Quantity
3b, 10, 11, 12, 14, 15, 16, 23b	123091	Transit Fork Assembly 6" Wide +1 1/2" Stem CAT <i>Only used with 2" wide casters</i>	1
3b, 11, 12, 17, 18, 23b	123061	Transit Fork Assembly, Black, 6" Wide HD Std Stem <i>Only used with 2" wide casters</i>	1
3b, 11, 12, 19, 20, 23b	123062	Transit Fork Assembly, Black, 6" Wide HD Tall Stem <i>Only used with 2" wide casters</i>	1
4b, 8, 11, 12, 22b	123089	Transit Fork Assembly 7" Wide Std Stem CAT <i>Only used with 2" wide casters</i>	1
4b, 9, 11, 12, 13, 15, 16, 22b	123092	Transit Fork Assembly 7" Wide +3/4" Stem CAT <i>Only used with 2" wide casters</i>	1
4b, 10, 11, 12, 14, 15, 16, 22b	123093	Transit Fork Assembly 7" Wide +1 1/2" Stem CAT <i>Only used with 2" wide casters</i>	1
4b, 11, 12, 17, 18, 22b	123065	Transit Fork Assembly, Black, 7" Wide HD Std Stem	1
4b, 11, 12, 19, 20, 22b	123066	Transit Fork Assembly, Black, 7" Wide HD Tall Stem	1
1a, 12, 16, 24	123101	Transit Fork, Black, 4" Catalyst	1
2a, 12, 16, 23a	123102	Transit Fork, Black, 5" Catalyst	1
3a, 12, 16, 23a	123103	Transit Fork, Black, 6" Catalyst	1
3b, 12, 16, 23b	123104	Transit Fork 6" Wide Catalyst <i>Only used with 2" wide casters</i>	1
4a, 12, 16, 22a	123105	Transit Fork, Black, 7" Catalyst	1
4b, 12, 16, 22b	123106	Transit Fork 7" Wide Catalyst <i>Only used with 2" wide casters</i>	1
5a, 6a, 7	502653	Caster Attachment Hardware Kit CAT/FCS	1
5b, 6b, 7	502654	Caster Attachment Hardware Kit for 6" and 7" Wide Fork, CAT/FCS	1
5a	101829	M8 x 65 HHCS Blk Zn	1
5b	101831	M8 x 80 HHCS Blk Zn <i>Only used with 2" wide casters</i>	1
6a	100792	Caster Spacer D8 x D12 x 10mm / Close Mount Handrim Spacer <i>Used with all casters except 6x2 and 8x2</i>	2
6b	001246	Caster Spacer Black 6 x 2 Poly .472ODX.319IDX.370LG <i>Only used with 6" x 2" casters</i>	2
7	100659	M8 Nylock Nut Blk Zn	1
8, 12	503813	Fork Stem Standard Catalyst	1

Item Number	Part Number	Description	Quantity
9, 16	503812	Fork Stem 3/4" Catalyst	1
10, 16	503811	Fork Stem 1 1/2" Catalyst	1
11	100682	Washer 1/2" .518 x .875 x .047 F/W Black Zinc <i>Use quantity 3 with standard stem</i>	4
12	100529	M12 x 1.25mm Lock Nut Black <i>Use quantity 1 with 3/4" and 1 1/2" stems</i>	2
13	000115	Fork Stem Spacer 3/4"	1
14	000114	Fork Stem Spacer 1 1/2" CAT	1
15	101869	1/2-20 G5 Hex Nut Hxfree Zc	1
16	101459	1/2-20 NTE JAM NYL INS L/N BLK ZC	1
17	002593	Caster Stem Washer Heavy Duty	1
18	002592	Caster Stem Heavy Duty	1
19	002476	Spacer, 3/4" OD x 1/2" ID x 1.23	1
20	002477	Caster Stem Tall, Adult Tilt / HD Catalyst	1