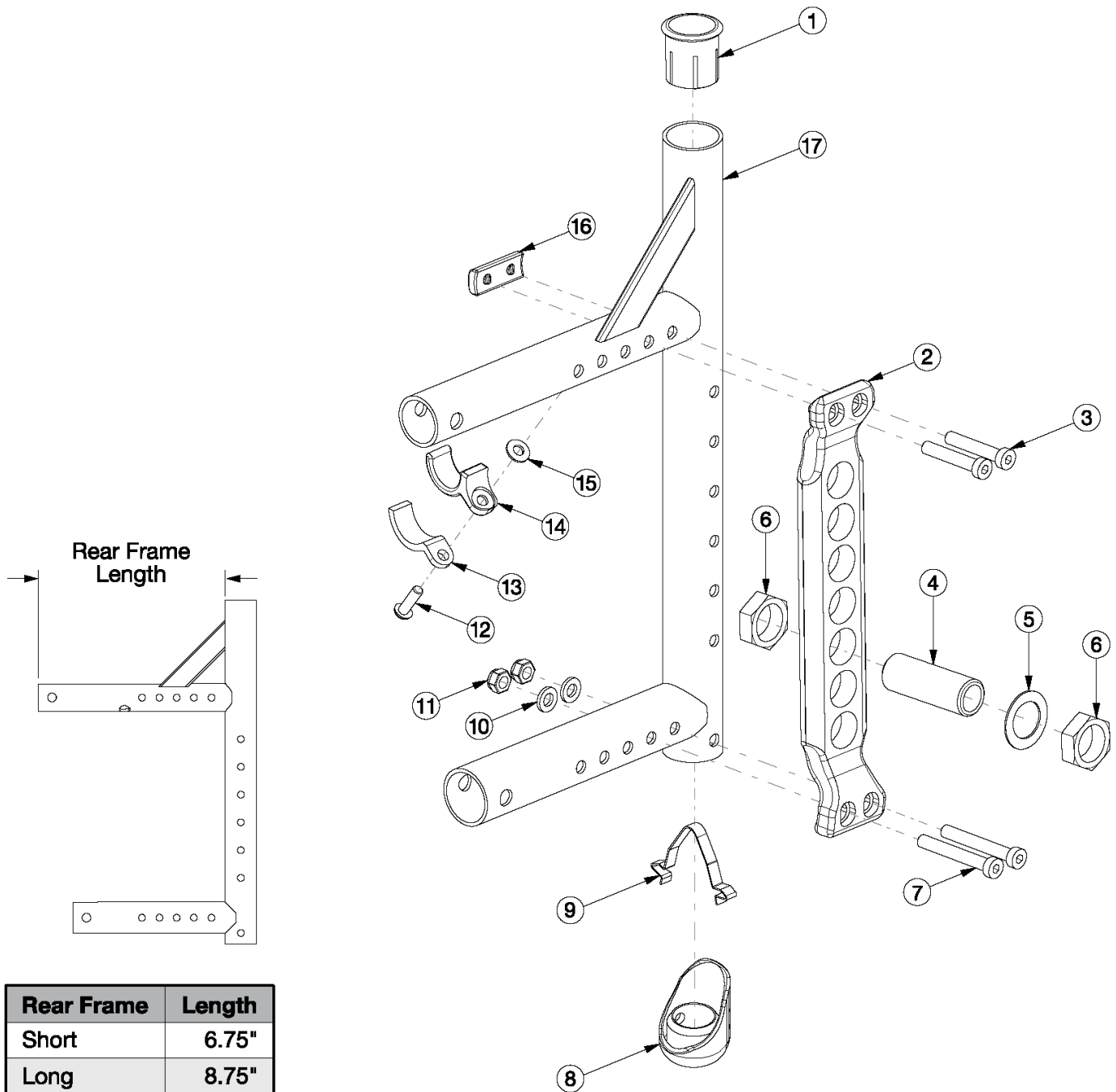


Canada / AADL Adjustable Axle Plate



| Rear Frame | Length |
|------------|--------|
| Short | 6.75" |
| Long | 8.75" |

Retrofitting to this axle plate and rear frame requires 300lb or 350lb Weight Capacity Use short frame for 14-17" Seat Depths and long frame for 18-20" Seat Depths

| Item Number | Part Number | Description | Quantity |
|--------------|-------------|---|----------|
| 1, 17a, 8, 9 | 110130_ _ _ | Adjustable Axle Plate Rear Frame Assembly, Cat 4/4C, Left Short | 1 |

| Item Number | Part Number | Description | Quantity |
|------------------------|-------------|--|----------|
| 1, 17b, 8, 9 | 110131_ _ _ | Adjustable Axle Plate Rear Frame Assembly, Cat 4/4C, Right Short | 1 |
| 1, 17c, 8, 9 | 110132_ _ _ | Adjustable Axle Plate Rear Frame Assembly, Cat 4/4C, Left Long | 1 |
| 1, 17d, 8, 9 | 110133_ _ _ | Adjustable Axle Plate Rear Frame Assembly, Cat 4/4C, Right Long | 1 |
| 1-3, 4, 5-16, 17a, 17b | 117338_ _ _ | Adjustable Axle Plate Retrofit Kit, 14-17" Seat Depths, Incl. Axle Receiver 2.5" Hardware | 1 |
| 1-3, 4, 5-16, 17c, 17d | 117339_ _ _ | Adjustable Axle Plate Retrofit Kit, 18-20" Seat Depths, Incl. Axle Receiver 2.5" Hardware | 1 |
| 1-3, 4, 5-16, 17c, 17d | 117340 | CA Kit, Black Gloss, Adjustable Axle Plate Retrofit Kit, 18-20" Seat Depths, Incl. Axle Receiver 2.5" Hardware | 1 |
| 1-3, 4, 5-16, 17a, 17b | 117341 | CA Kit, Black Gloss, Adjustable Axle Plate Retrofit Kit, 14-17" Seat Depths, Incl. Axle Receiver 2.5" Hardware | 1 |
| 1-3, 4, 5-16, 17c, 17d | 117342 | CA Kit, Blue, Adjustable Axle Plate Retrofit Kit, 18-20" Seat Depths, Incl. Axle Receiver 2.5" Hardware | 1 |
| 1-3, 4, 5-16, 17a, 17b | 117343 | CA Kit, Blue, Adjustable Axle Plate Retrofit Kit, 14-17" Seat Depths, Incl. Axle Receiver 2.5" Hardware | 1 |
| 1-3, 4, 5-16, 17c, 17d | 117344 | CA Kit, Candy Blue, Adjustable Axle Plate Retrofit Kit, 18-20" Seat Depths, Incl. Axle Receiver 2.5" Hardware | 1 |
| 1-3, 4, 5-16, 17a, 17b | 117345 | CA Kit, Candy Blue, Adjustable Axle Plate Retrofit Kit, 14-17" Seat Depths, Incl. Axle Receiver 2.5" Hardware | 1 |
| 12a, 13 - 15 | 501005 | Seat Hook and Support Hardware Kit, Standard, Catalyst <i>Used with Standard or 300 lbs Weight Capacity. This kit contains quantity of 1 each</i> | 1 |
| 12b, 13 - 15 | 114528 | Seat Hook and Support Hardware Kit, Standard, for Heavy Duty Catalyst <i>Used with Heavy Duty / 350 lbs Weight Capacity. This kit contains quantity of 1 each</i> | 1 |
| 1 | 000030 | Backrest Sleeve Cat | 1 |
| 2 | 111131 | Adjustable Axle Plate, Black | 1 |
| 3 | 103370 | M6 x 35 Low SHCS BLK ZC w/Patch | 2 |
| 4 | 114480 | Axle Receiver, 2.5" Length <i>Replaced part number 100756</i> | 1 |
| 5 | 100583 | Axle Plate Washer 18mm | 1 |
| 6 | 100514 | Axle Receiver Nut M18 x D12 x 8mm | 2 |
| 7 | 101123 | M6 x 45 Low SHCS BLK ZC | 2 |
| 8 | 111308 | Adjustable Axle Plate Rear Frame Bumper | 1 |
| 9 | 112180 | Double Ramp Detent | 1 |

| Item Number | Part Number | Description | Quantity |
|-------------|-------------|---|----------|
| 10 | 100746 | M6 Flat Washer Blk Zn | 2 |
| 11 | 100658 | M6 Nylock Nut Blk Zn | 2 |
| 12a | 100668 | M6 x 20 CLS10.9 BTN SHCS ZC w/Patch <i>Used with Standard or 300 lbs Weight Capacity</i> | 1 |
| 12b | 101180 | M6 x 20 SHCS BLK ZC <i>Used with Heavy Duty / 350 lbs Weight Capacity</i> | 1 |
| 13 | 000004 | Seat Hook Support, Catalyst | 1 |
| 14 | 000003 | Seat Hook, Catalyst | 1 |
| 15 | 100831 | 1/2" Washer OD .040" Thick | 1 |
| 16 | 111309 | Adjustable Axle Plate Rear Frame Threaded Axle Nut Plate | 1 |