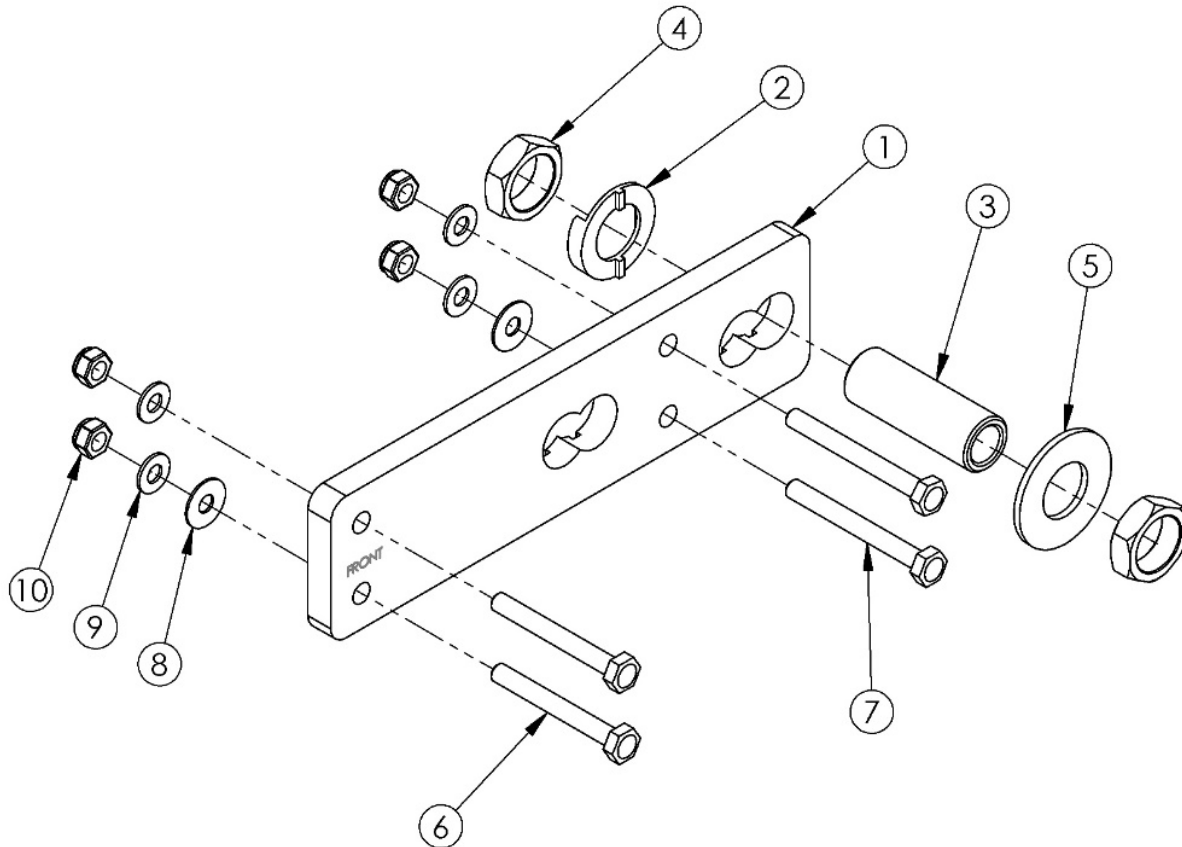


Catalyst 5 Amputee Axle Plate



Number of washers (Item 8) per bottom screw	Degrees of Camber
2 (4 total)	2°
3 (6 total)	4°

If retrofitting: see anti tip receiver page for spacer and hardware, extended wheel lock clamps may be needed, see wheel lock clamp page

Item Number	Part Number	Description	Quantity
1, 2, 3a, 4, 5	500503	Amputee Axle Plate Assembly 1/2" <i>Used with Quad Quick Release Axles</i>	1
1, 2, 3b, 4, 5	117324	Amputee Axle Plate Assembly 2.5" <i>Used with Quick Release and Fixed Axles</i>	1
2, 3a, 4, 5	500504	Axle Receiver Assembly 1/2"	1

Item Number	Part Number	Description	Quantity
		<i>Used with Quad Quick Release Axles</i>	
2, 3b, 4, 5	117325	Axle Receiver Assembly 2.5" <i>Used with Quick Release and Fixed Axles</i>	1
1	000145	Amputee Axle Plate	1
2	004444	Axle Plate Index Washer <i>Replaced 000051 and 004678</i>	1
3a	100756	Axle Receiver 1/2" Diameter <i>Used with Quad Quick Release Axles</i>	1
3b	114480	Axle Receiver, 2.5" Length <i>Used with Quick Release and Fixed Axles</i>	1
4	100514	Axle Receiver Nut M18 x D12 x 8mm	2
5	004445	Axle Plate Flat Washer <i>Replaced 000465</i>	1
6	101826	M6 x 50 HHCS Blk Zn	2
7a	101826	M6 x 50 HHCS Blk Zn <i>Used when attaching axle plate only</i>	2
7b	100677	M6 x 60 CLS10.9 DIN931 HHCS ZC <i>Used when attaching axle plate and anti-tip receiver or transit bracket</i>	2
7c	100679	M6 x 65 CLS 8.8 DIN931 HHCS ZC <i>Used when attaching axle plate, anti-tip receiver and transit bracket</i>	2
8	100763	Washer #12 Thin <i>Use 4 Washers with 2° of Camber or use 8 Washers with 4° of Camber</i>	8
9	100746	M6 Flat Washer Blk Zn	4
10	100658	M6 Nylock Nut Blk Zn	4